

Case

black 515 x 415 x 135 mm, Polypropylene



FEATURES:

Plastic case with foam

Innovative design with soft lines

External customization: screen-printing on both sides, embossed

Die-cut foam inlay

Cases stack inside each other for easier and more efficient storage and freight

FEATURES:

2 dimpled sponge pads

SPECIFICATION:

External dimensions W x D x H 515 x 415 x 135 mm

Dimensions, internal W x D x H 510 x 335 x 129 mm

Colour black

Material Polypropylene

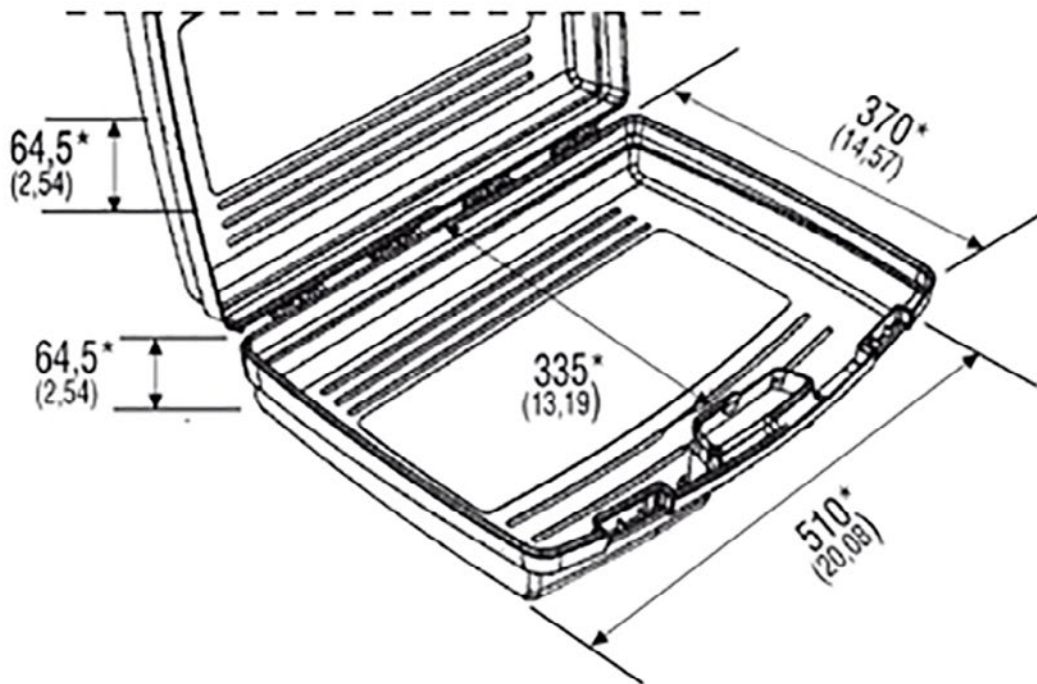


Art. Nr.

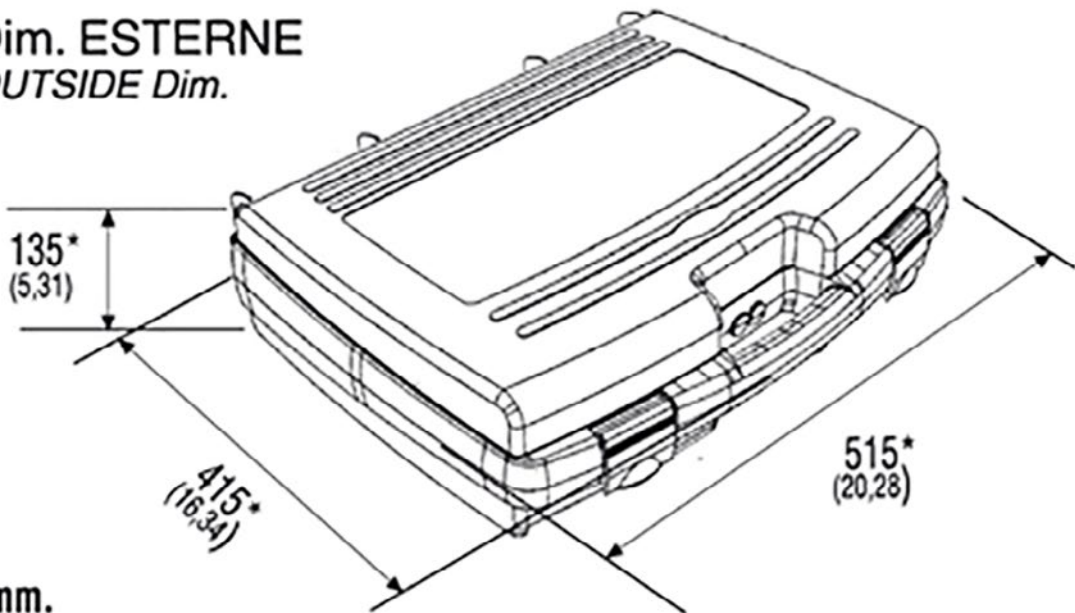
RND 550-00083

Dim. INTERNE
INSIDE Dim.

H interna 129*
Inside H (5,08)



Dim. ESTERNE
OUTSIDE Dim.



* = mm.
() = inch.