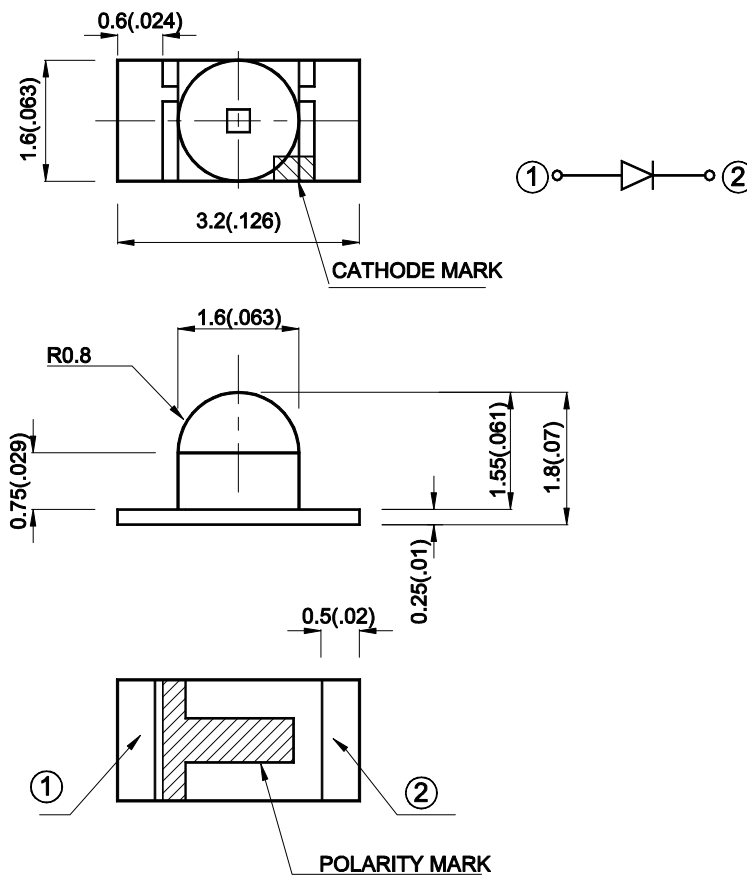


DOME LENS SMD CHIP LED 3216 (1206)



UNIT : MM(INCH)

TOLERANCE : $\pm 0.2[\pm 0.0079]$ UNLESS OTHERWISE NOTED

Selection Guide

Part No.	Dice	Lens Type	Iv (mcd) @20mA		Viewing Angle
			Min.	Typ.	2θ 1/2
KPTD-3216MGC	SUPER BRIGHTH GREEN (InGaAlP)	WATER CLEAR	100	200	50°

APPROVED:

J.Lu

CHECKED:

C.Tsao

DRAWN :

L.N. Sheu

SCALE :

10 : 1

DATA NO. : F4527

V.1

DATE : APR/05/2000