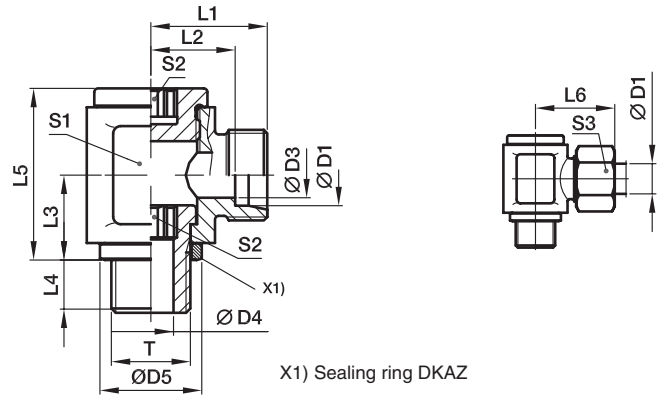


DSVW-R Low pressure banjo elbow

EO 24° cone end / Male BSPP thread



| Series | D1 | T | D3 | D4 | D5 | L1 | L2 | L3 | L4 | L5 | L6 | S1 | S2 | S3 | Weight g/1 piece | Order code* | PN (bar) ¹⁾ CF |
|-----------------|----|-----------|----|------|----|------|------|----|----|----|----|----|----|----|---------------------|-------------|---------------------------------|
| L ³⁾ | 06 | G 1/8 A | 4 | 4.0 | 14 | 19.5 | 12.5 | 12 | 8 | 24 | 27 | 18 | 6 | 14 | 51 | DSVW06LROMD | 160 |
| | 08 | G 1/4 A | 6 | 6.0 | 18 | 21.5 | 14.5 | 16 | 12 | 30 | 29 | 22 | 8 | 17 | 85 | DSVW08LROMD | 160 |
| | 10 | G 1/4 A | 8 | 6.0 | 18 | 22.5 | 15.5 | 16 | 12 | 30 | 30 | 22 | 8 | 19 | 88 | DSVW10LROMD | 100 |
| | 12 | G 3/8 A | 10 | 8.5 | 22 | 25.0 | 18.0 | 18 | 12 | 37 | 33 | 27 | 10 | 22 | 147 | DSVW12LROMD | 100 |
| | 15 | G 1/2 A | 12 | 12.0 | 26 | 29.0 | 22.0 | 21 | 14 | 42 | 37 | 32 | 12 | 27 | 228 | DSVW15LROMD | 100 |
| | 18 | G 1/2 A | 15 | 12.0 | 26 | 29.0 | 21.5 | 23 | 14 | 46 | 38 | 36 | 12 | 32 | 276 | DSVW18LROMD | 100 |
| | 22 | G 3/4 A | 19 | 17.5 | 32 | 36.0 | 28.5 | 28 | 16 | 58 | 45 | 46 | 17 | 36 | 516 | DSVW22LROMD | 100 |
| | 28 | G 1 A | 24 | 22.0 | 39 | 39.0 | 31.5 | 32 | 18 | 64 | 48 | 50 | 22 | 41 | 688 | DSVW28LROMD | 100 |
| | 35 | G 1 1/4 A | 30 | 27.5 | 49 | 46.0 | 35.5 | 37 | 20 | 76 | 57 | 60 | 27 | 50 | 1147 | DSVW35LROMD | 63 |
| | 42 | G 1 1/2 A | 36 | 32.5 | 55 | 51.5 | 40.0 | 42 | 22 | 85 | 63 | 70 | 32 | 60 | 1696 | DSVW42LROMD | 63 |
| S ⁴⁾ | 06 | G 1/4 A | 4 | 6.0 | 18 | 23.5 | 16.5 | 16 | 12 | 30 | 31 | 22 | 8 | 17 | 89 | DSVW06SROMD | 160 |
| | 08 | G 1/4 A | 5 | 6.0 | 18 | 23.5 | 16.5 | 16 | 12 | 30 | 31 | 22 | 8 | 19 | 92 | DSVW08SROMD | 160 |
| | 10 | G 3/8 A | 7 | 8.5 | 22 | 26.0 | 18.5 | 18 | 12 | 37 | 35 | 27 | 10 | 22 | 150 | DSVW10SROMD | 100 |
| | 12 | G 3/8 A | 8 | 8.5 | 22 | 26.0 | 18.5 | 18 | 12 | 37 | 35 | 27 | 10 | 24 | 156 | DSVW12SROMD | 100 |
| | 14 | G 1/2 A | 10 | 12.0 | 26 | 31.0 | 23.0 | 21 | 14 | 42 | 41 | 32 | 12 | 27 | 235 | DSVW14SROMD | 100 |
| | 16 | G 1/2 A | 12 | 12.0 | 26 | 31.0 | 22.5 | 23 | 14 | 46 | 41 | 36 | 12 | 30 | 275 | DSVW16SROMD | 100 |
| | 20 | G 3/4 A | 16 | 17.5 | 32 | 38.0 | 27.5 | 28 | 16 | 58 | 49 | 46 | 17 | 36 | 530 | DSVW20SROMD | 100 |
| | 25 | G 1 A | 20 | 22.0 | 39 | 43.0 | 31.0 | 32 | 18 | 64 | 55 | 50 | 22 | 46 | 734 | DSVW25SROMD | 100 |
| | 30 | G 1 1/4 A | 25 | 27.5 | 49 | 50.0 | 36.5 | 37 | 20 | 76 | 63 | 60 | 27 | 50 | 1224 | DSVW30SROMD | 63 |
| | 38 | G 1 1/2 A | 32 | 32.5 | 55 | 57.5 | 41.0 | 42 | 22 | 85 | 72 | 70 | 32 | 60 | 1810 | DSVW38SROMD | 63 |

1) Pressure shown = item deliverable

3) L = light series; 4) S = heavy series

$$\frac{\text{PN (bar)}}{10} = \text{PN (MPa)}$$

Delivery without nut and ring. Information on ordering complete fittings see page 17.

| Order code suffixes | | |
|---------------------------------|-----------------------------|---------------|
| Material | Suffix surface and material | Example |
| Steel, zinc plated, Cr(VI)-free | CF | DSVW16SROMDCF |

*Please add the **suffixes** below according to the material/surface required.