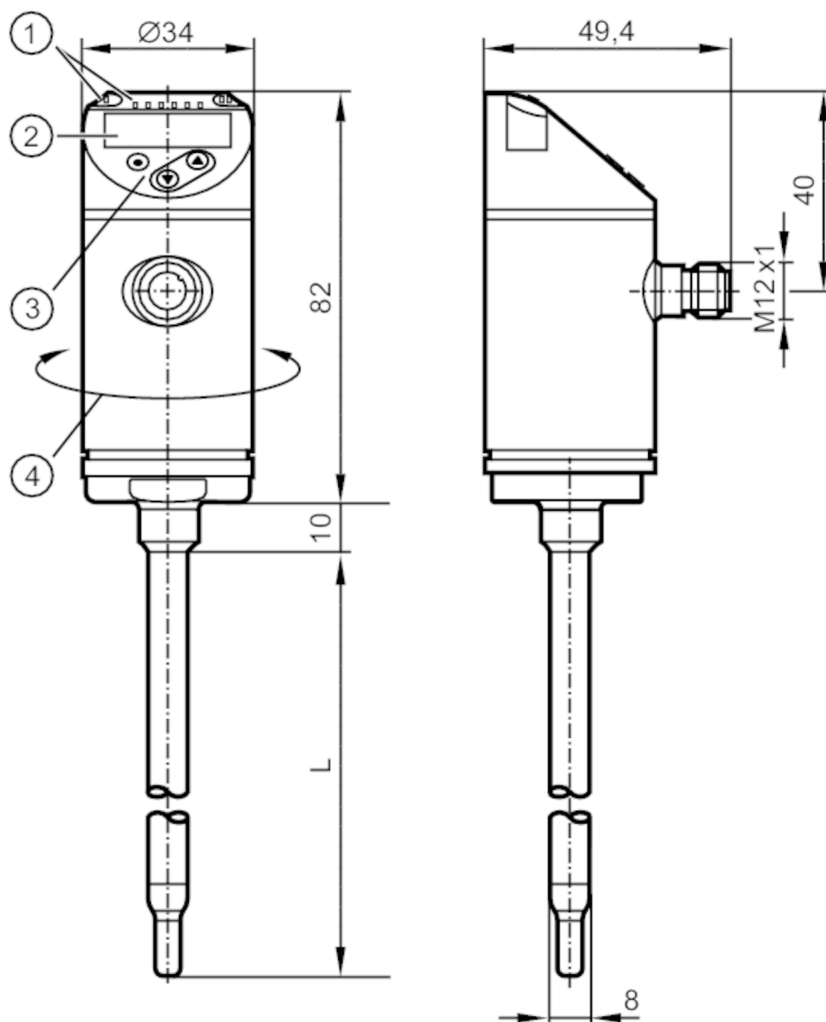


SA4114



Flow sensor

SAEXXXB50KG/US-100



- L 100 mm
 1 LEDs Display unit
 I, II not used
 2 alphanumeric display 4-digit red/green
 3 programming buttons
 4 upper part of the housing can be rotated 345°



Product characteristics

Number of inputs and outputs	Number of analogue outputs: 2	
Process connection	diameter Ø 8 mm	
Liquids		
Measuring range	[ft/s]	0.15...9.85
Gases		
Measuring range	[ft/s]	6...328

SA4114



Flow sensor

SAEXXXB50KG/US-100

Application	
Special feature	Gold-plated contacts
Media	water; glycol solutions; air; oils
Note on media	low-viscosity oils with viscosity: $\leq 40 \text{ mm}^2/\text{s}$ (104 °F) high-viscosity oils with viscosity: $> 40 \text{ mm}^2/\text{s}$ (104 °F)
Medium temperature [°F]	-4...212
Pressure rating [bar]	50
Electrical data	
Operating voltage [V]	18...30 DC
Current consumption [mA]	< 100
Protection class	III
Reverse polarity protection	yes
Power-on delay time [s]	10
Inputs / outputs	
Number of inputs and outputs	Number of analogue outputs: 2
Outputs	
Total number of outputs	2
Output signal	analogue signal
Number of analogue outputs	2
Analogue current output [mA]	4...20; (scalable)
Max. load [Ω]	350
Short-circuit protection	yes
Type of short-circuit protection	pulsed
Overload protection	yes
Measuring/setting range	
Probe length L [mm]	100
Operating mode	relative; absolutely liquid; absolutely gaseous
Note on setting range	Operating mode: relative
Liquids	
Measuring range [ft/s]	0.15...9.85
Resolution [ft/s]	0.05
Setting range [ft/s]	0...19.5
Analogue start point ASP [ft/s]	0...7.95
Analogue end point AEP [ft/s]	1.9...9.85
Gases	
Measuring range [ft/s]	6...328
Resolution [ft/s]	2
Setting range [ft/s]	0...656
Analogue start point ASP [ft/s]	0...264
Analogue end point AEP [ft/s]	64...328

SA4114



Flow sensor

SAEXXXB50KG/US-100

Temperature monitoring		
Measuring range	[°F]	-4...212
Resolution	[°F]	0.5
Analogue start point	[°F]	-4...169
Analogue end point	[°F]	39...212
In steps of	[°F]	0.5
Accuracy / deviations		
Flow monitoring		
Temperature drift	[cm/s x 1/K]	0,01 fps x 1/K (< 68 °F; > 158 °F)
Temperature gradient	[K/min]	100
Accuracy		± (7 % MW + 2 % MEW); (Für Relativmodus im Bereich der größten Empfindlichkeit mit.; water: 68...158 °F; inlet length: 5 ft; DN25 (DIN 2448); mounting position according to instructions; Accuracy can differ for other media and mounting positions.)
Repeatability		0,05 m/s; (water; flow velocity: 0,05...3 m/s)
Temperature monitoring		
Temperature drift		± 0,003 K/°F
Accuracy	[K]	± 0,3 / ± 1; (water; flow velocity: 1...9,85 fps / air; flow velocity: > 32,8 fps)
Response times		
Flow monitoring		
Response time	[s]	0.5; (T09; water; glycol: 0,8 s; air: 7 s; oil: 1,8 s; each T09)
Temperature monitoring		
Dynamic response T05 / T09	[s]	1,5 (T09); (water; flow velocity: 1...9,85 fps)
Software / programming		
Parameter setting options		medium selection; Damping; Teach function; display can be rotated and switched off; standard unit of measurement; process value colour
Operating conditions		
Ambient temperature	[°F]	-40...176
Storage temperature	[°F]	-40...212
Protection		IP 65; IP 67
Tests / approvals		
EMC		DIN EN 60947-5-9
Shock resistance		DIN EN 60068-2-27
Vibration resistance		DIN EN 60068-2-6
MTTF	[years]	179
UL approval	UL Approval no.	I018
	File number UL	E174189
Mechanical data		
Weight	[g]	262
Materials		stainless steel (1.4404 / 316L); PBT-GF20; PBT-GF30
Materials (wetted parts)		stainless steel (1.4404 / 316L)
Process connection		diameter Ø 8 mm
Displays / operating elements		
Display	Display unit	6 x LED, green (% , fps, gpm, cfm, °F, 10 ³)
	measured values	alphanumeric display, red/green 4-digit

SA4114



Flow sensor

SAEXXXB50KG/US-100

Remarks

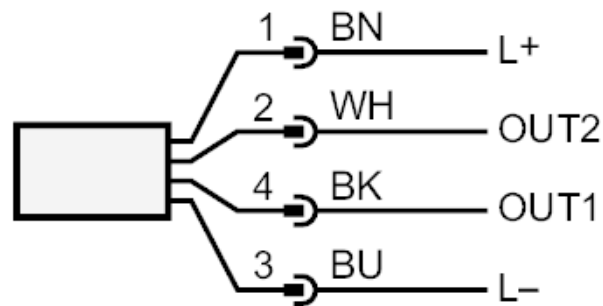
Remarks	MW = measured value
	MEW = Final value of the measuring range
Pack quantity	1 pcs.

Electrical connection

Connector: 1 x M12; Contacts: gold-plated



Connection



colours to DIN EN 60947-5-2

OUT1: analogue output Temperature monitoring

OUT2: analogue output volumetric flow quantity monitoring

Core colours :

BK = black
BN = brown
BU = blue
WH = white