

Emparro Power Supply 3-PHASE

IN: 360 - 500VAC OUT: 24-28V/20ADC

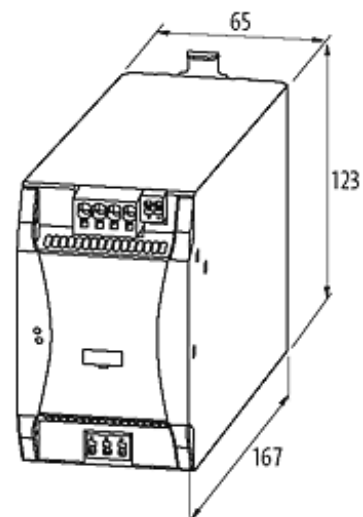
INPUT: 3 × 324...572 V AC / 450...745 V DC

OUTPUT: 24...28 V DC

Current: 20 A

[Link to Product](#)

Illustration



Product may differ from Image

Input

Input voltage	3 × 324...572 V AC/450...745 V DC
Input current	1.3 A (3 × 360 V AC); 1.0 A (3 × 500 V AC)
Inrush current after 1 ms	max. 13 A

The information in this brochure has been compiled with the utmost care.

Liability for the correctness completeness and topicality of the information is restricted to gross negligence. Version: 05/15

Murrelektronik GmbH | Falkenstraße 3, 71570 Oppenweiler | Fon +49 (71 91) 47-0, Fax +49 (71 91) 47-491000 | shop@murrelektronik.de | shop.murrelektronik.de

Power factor	0.65 (3 × 500 V AC)
Primary fusing external	3 × 20 A (T)
Frequency	50...60 Hz
General data	
Standards	(EN 60950-1), (EN 61204-3), (EN 55011 B), (EN 61000-3-2)
Relative humidity	5...95 %, no condensation
Efficiency	94.8 % (3 × 400 V AC); 94.5 % (3 × 480 V AC)
Mounting method	DIN-rail mountable TH35 (EN 60715)
Dimensions H × W × D	123×65×167
Temperature range	-25...+60 °C, ...+70 °C derating (storage temperature -40...+80 °C)
Output	
Output voltage	24 V DC (SELV), ±1 %; 24...28 V adjustable
Power Boost	I _{out} N × 150 % (min. 5 s)
Output current	15 A (70 °C); 20 A (60 °C); 24 A (45 °C)
Mains failure bridging time	min. 40 ms (3 × 500 V AC)
Ripple	max. 20 mVrms
Spikes	max. 90 mV p-p
Unit protection	short circuit and overload protected, permanently by 20 % (to 45 °C)
LED display	LED (green): OK; LED (red): overload, overheating or short-circuit
Parallel usage/serial usage	max. 3 units
Commercial data	
country of origin	CH
customs tariff number	85044090
minimum order quantity	1