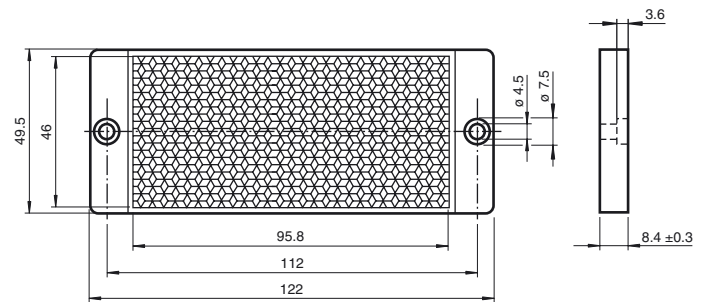




## Dimensions



### Model Number

**REF-H50x100**

Reflector, rectangular 122 mm x 49.5 mm, mounting holes

### Features

- Mounting holes for simple installation

## Technical data

### General specifications

Construction type rectangular

### Ambient conditions

Ambient temperature -40 ... 70 °C (-40 ... 158 °F)

### Mechanical specifications

Dimensions 122 mm x 49.5 mm x 8.4 mm

Mounting mounting holes