

**Features**

- Double pushbutton, inserts with labeling: red '0', green 'I', black 'I', blue 'RESET'; without: white, amber - 2x NO
- Ex de and Ex tb certified
- Full equipment certified
- Polyamide housing for panel mount
- Installation in Zone 1, Zone 2, Zone 21 and Zone 22
- Cable Gland M20 integrated in protective cover
- Degree of protection IP66

**Assembly****Technical data****Electrical specifications**

Operating voltage	250 V max.
Operating current	16 A max.
Terminal capacity	2x 2.5 mm <sup>2</sup>
Terminal torque	0.8 Nm
Function	double pushbutton
Color	choice of red, green, amber, white, blue, black
Contact configuration	2x NO
Usage category	AC15 - 12 ... 250 V AC - 10 A DC13 - 12 ... 24 V DC - 1 A
Number of poles	2
Operator action	momentary
Labeling	various, see features

**Mechanical specifications**

Cable type	non-armored cables
Clamping range	5.5 ... 13 mm (D)
Covering	Protective cover fully detachable
Cover fixing	Phillips head screw
Degree of protection	IP66
Cable entry	
Number of cable entries	1x M20 cable gland in protective cover
Material	
Housing	Polyamide (PA)
Finish	inherent color black
Seal	silicone
Washer gasket	silicone
Mass	150 g max.

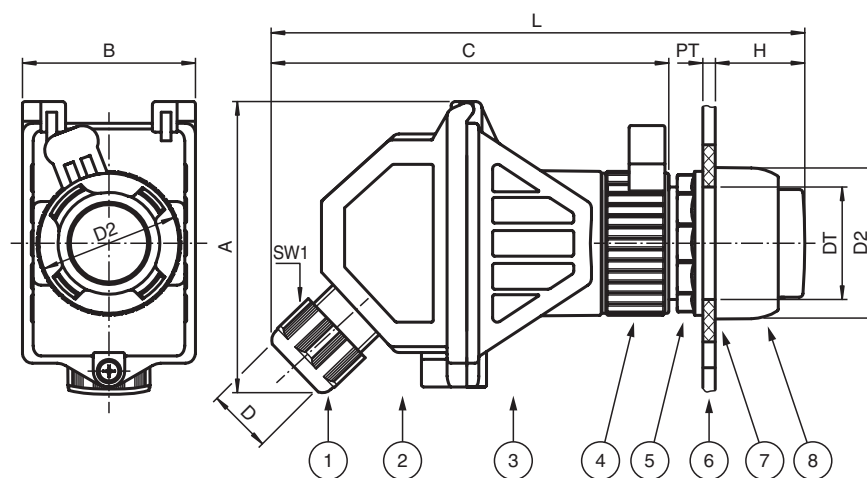
Release date 2017-03-13 16:56 Date of issue 2017-03-13 297350\_eng.xml

Refer to "General Notes Relating to Pepperl+Fuchs Product Information".

Pepperl+Fuchs Group  
www.pepperl-fuchs.comUSA: +1 330 486 0002  
pa-info@us.pepperl-fuchs.comGermany: +49 621 776 2222  
pa-info@de.pepperl-fuchs.comSingapore: +65 6779 9091  
pa-info@sg.pepperl-fuchs.com

<b>Dimensions</b>	
Height	77 mm (A)
Width	44 mm (B)
Depth	105 mm (C)
Actuator head diameter	39 mm (D2)
Panel wall thickness	1 ... 6 mm (PT)
Diameter thru-hole	30.6 mm (DT)
Length outside enclosure	15.5 mm (H)
Width across flats	24 mm (SW1)
Total length	128 mm (L)
<b>Tightening torque</b>	
Nut torque at enclosure	2 Nm (SW1)
<b>Mounting</b>	
	via actuator head
<b>Ambient conditions</b>	
Ambient temperature	-40 ... 50 °C (-40 ... 122 °F)
<b>Data for application in connection with hazardous areas</b>	
EU-Type Examination Certificate	CML 16ATEX3106X
<b>Marking</b>	
	⊕ II 2 GD Ex de IIC T6 Gb Ex tb IIIC T80 °C Db
<b>International approvals</b>	
IECEX approval	IECEX CML 16.0046X
<b>Conformity</b>	
Degree of protection	EN 60529
<b>General information</b>	
Supplementary information	EC-Type Examination Certificate, Statement of Conformity, Declaration of Conformity, Attestation of Conformity and instructions have to be observed where applicable. For information see <a href="http://www.pepperl-fuchs.com">www.pepperl-fuchs.com</a> .

## Dimensions



## Legend

1	Cable gland
2	Protective cover
3	Contact module
4	Bayonet catch
5	Locknut
6	Panel / enclosure wall
7	Flat gasket
8	Actuator head
A	Height
B	Width
C	Depth
D	Clamping range, cable sheath diameter
DT	Diameter thru-hole

D2	Outer diameter actuator head
H	Length outside enclosure
L	Total length
PT	Panel / enclosure wall thickness