



SAFETY POSITION SWITCH WITH SEPERATE ACTUATOR MOLDED-PLASTIC ENCLOSURE LATERAL AND FRONTAL SLOW-ACTION CONTACTS, 1NO+2NC, 3X(M20X1.5) EXTRACTION FORCE 30N DELIVERY WITHOUT ACTUATOR

Figure similar

Product designation	safety position switch	
General technical data:		
Protection class IP	IP65	
Equipment marking	<ul style="list-style-type: none"> • acc. to DIN EN 61346-2 B • acc. to DIN EN 81346-2 B 	
Active principle	mechanical	
Explosion protection category for dust	none	
Explosion protection category for gas	none	
Enclosure:		
Design of the housing	wide	
Material of the enclosure	glass fiber reinforced thermoplast	
Coating of the enclosure	Other types	
Design of the housing acc. to standard	No	
Drive Head:		
Design of the operating mechanism	without	
Design of the switching function	positive opening	
Connections/ Terminals:		
Type of electrical connection	screw-type terminals	
Communication/ Protocol:		
Design of the interface	without	
Ambient conditions:		
Ambient temperature		

- during operation

°C -30 ... +85

Installation/ mounting/ dimensions:

Mounting type screw fixing

Certificates/ approvals:

General Product Approval	Declaration of Conformity	Shipping Approval
--------------------------	---------------------------	-------------------



Shipping Approval	other
-------------------	-------



[other](#)

[Confirmation](#)

Further information

Information- and Downloadcenter (Catalogs, Brochures,...)

<http://www.siemens.com/industrial-controls/catalogs>

Industry Mall (Online ordering system)

<http://www.siemens.com/industrymall>

Cax online generator

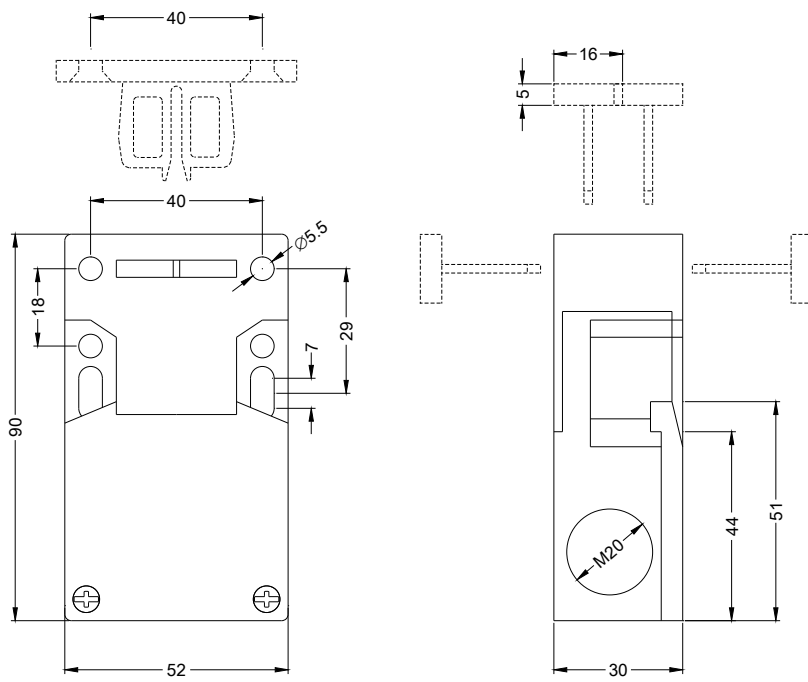
<http://support.automation.siemens.com/WW/CAXorder/default.aspx?lang=en&mlfb=3SE22430XX>

Service&Support (Manuals, Certificates, Characteristics, FAQs,...)

<http://support.automation.siemens.com/WW/view/en/3SE22430XX/all>

Image database (product images, 2D dimension drawings, 3D models, device circuit diagrams, EPLAN macros, ...)

http://www.automation.siemens.com/bilddb/cax_de.aspx?mlfb=3SE22430XX&lang=en



last modified:

09.03.2015