



Main

Range of product	OsiSense XG
Product or component type	Panel mounting smart antenna
RFID compact station name	XGCS
RFID frequency	13.56 MHz
Design	Diameter 22 mounting
Electrical connection	5 1 male connector M12
Outer dimension	40 x 40 x 40 mm
Product compatibility	RFID microchip NXP (Mifare classic 1K/4K) RFID microchip Texas (Tag-it HFI) RFID microchip Fujitsu (MB89R118 - MB89R119)
[Sn] nominal sensing distance	0.39...2.76 in (10...70 mm)
[Us] rated supply voltage	24 V DC Protective Extra Low Voltage

Complementary

Operating mode	Standalone
Type of output signal	Discrete
Discrete output function	1 NO
Discrete output type	PNP
Switching capacity in mA	300 mA overload and short-circuit protection)
Associated tag type	ISO 14443 standard tags ISO 15693 standard tags Automatic detection of the type of tag
Supply voltage limits	19.2...29 V DC
Current consumption	< 60 mA
Status LED	RFID communication 1 LED dual colour) Output state 1 LED dual colour)
Tightening torque	< 2.2 N.m
Marking	CE
Net Weight	0.13 lb(US) (0.057 kg)

Environment

Product certifications	CE
Standards	ETSI EN 301 489-1 ETSI EN 300 330-1 ETSI EN 301 489-3 ETSI EN 300 330-2
Ambient air temperature for operation	-13...158 °F (-25...70 °C)
Ambient air temperature for storage	-40...185 °F (-40...85 °C)
IP degree of protection	IP65 IEC 60529
Vibration resistance	2 mm 5...29.5 Hz)EN 60068-2-6 7 gn 29.5...150 Hz)EN 60068-2-6
Shock resistance	30 gn 11 ms EN 60068-2-27

The information provided in this documentation contains general descriptions and/or technical characteristics of the performance of the products contained herein. This documentation is not intended as a substitute for and is not to be used for determining suitability or reliability of these products for specific user applications. It is the duty of any such user or integrator to perform the appropriate and complete risk analysis, evaluation and testing of the products with respect to the relevant specific application or use thereof. Neither Schneider Electric Industries SAS nor any of its affiliates or subsidiaries shall be responsible or liable for misuse of the information contained herein.

IK degree of protection	IK02 EN 50102
Electromagnetic compatibility	Electrostatic discharge immunity test 6 kV contact discharge) 3 IEC 61000-4-2 Electrostatic discharge immunity test 8 kV air discharge) 3 IEC 61000-4-2 Electrical fast transient/burst immunity test 1 kV signal ports) 3 IEC 61000-4-4 Electrical fast transient/burst immunity test 2 kV power ports) 3 IEC 61000-4-4 Susceptibility to electromagnetic fields 10 V/m3 IEC 61000-4-3 1.2/50 µs shock waves immunity test 10 kV3 IEC 61000-4-5 Conducted RF disturbances 10 V3 IEC 61000-4-6 Magnetic field at power frequency 30 A/m4 IEC 61000-4-8

Ordering and shipping details

Category	22491 - SENS,IDENTIFICATION DEVICE (XGK)
Discount Schedule	DS2
GTIN	00785901963295
Nbr. of units in pkg.	1
Package weight(Lbs)	1 lb(US) (0.45 kg)
Returnability	No
Country of origin	FR

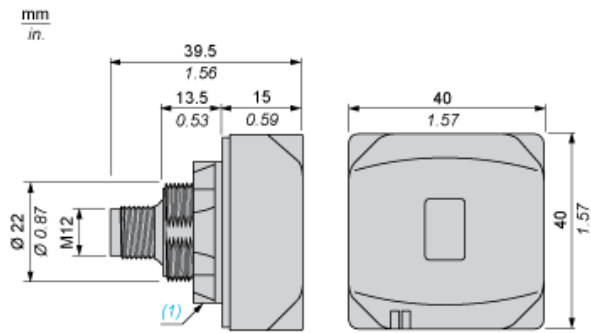
Packing Units

Unit Type of Package 1	PCE
Package 1 Height	2.60 in (6.6 cm)
Package 1 width	1.89 in (4.8 cm)
Package 1 Length	3.39 in (8.6 cm)
Unit Type of Package 2	S01
Number of Units in Package 2	22
Package 2 Weight	4.25 lb(US) (1.929 kg)
Package 2 Height	5.91 in (15 cm)
Package 2 width	5.91 in (15 cm)
Package 2 Length	15.75 in (40 cm)

Offer Sustainability

Sustainable offer status	Green Premium product
California proposition 65	WARNING: This product can expose you to chemicals including: Diisononyl phthalate (DINP), which is known to the State of California to cause cancer, and Di-isodecyl phthalate (DIDP), which is known to the State of California to cause birth defects or other reproductive harm. For more information go to www.P65Warnings.ca.gov
REACH Regulation	REACH Declaration
EU RoHS Directive	Pro-active compliance (Product out of EU RoHS legal scope) EU RoHS Declaration
Mercury free	Yes
RoHS exemption information	Yes
Environmental Disclosure	Product Environmental Profile
Circularity Profile	End Of Life Information

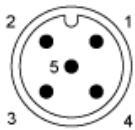
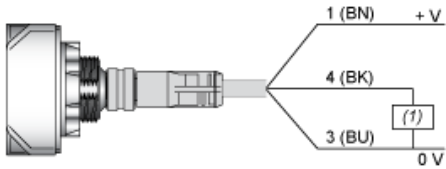
Dimensions



(1) Locking nut

Connections

Wiring Diagrams (Sensor Socket)

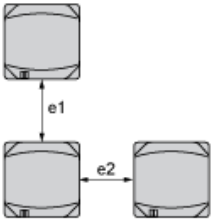


(1) Load

Pin no.	Description
1	+ 24 VDC
2	Reserved - Do not connect
3	0 V
4	PNP Output
5	Reserved - Do not connect

Mounting and Clearance

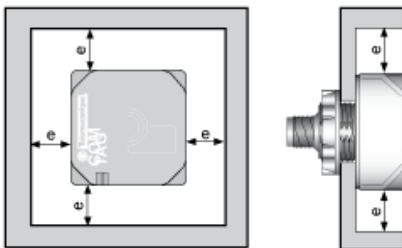
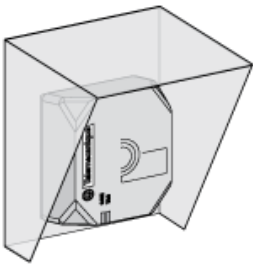
Minimum Distance Between 2 Identical Smart Antennas



$e1 = e2 \geq 310 \text{ mm} / 12.2 \text{ in.}$

Mounting and Clearance

Mounting on a Metal Structure



$e > 20 \text{ mm} / 0.7 \text{ in.}$