

USB 2.0 A female to A female keystone coupler



USB2 A to A keystone coupler (KCUAA2bk)

This USB2 keystone coupler can be used as a link between e. g. a USB cables. With its standardised dimensions it can be used for easy snap-in mounting in a keystone patch panel, face plate or surface-mount box.

Features

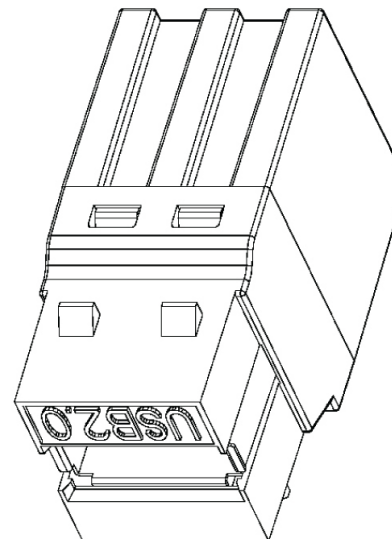
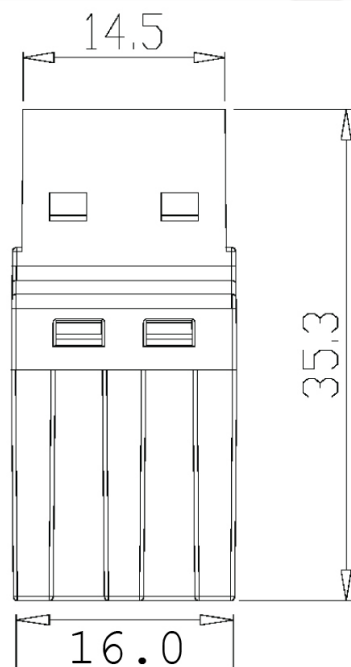
- USB 2.0 keystone coupler (A type female connectors on the front and back)
- Backwards compatible with USB1.1 type
- Designed to fit industry standard keystone patch panels
- Available as part of our innovative new panel mount coupler (KCUAA2bkpm), designed for easy mounting on panels of virtually any thickness
- Also now offered as part of our D UNIVERSAL range (KCUAA2Dpm) designed to fit XLR cut-outs
- White version also available to order

Specifications:

- Dimensions: approx 35.5x19.5x16mm
- Weight: approx 8g
- Housing: ABS UL94V-0
- Colour: black
- Connection: USB2.0 A F/F
- USB power connected device 500 mA at 4.5V
- Wired 1:1 throughout (N.B. standard USB cables are not wired 1:1)

ROHS Compliant

Code: KCUAA2bk



- ELECTRICAL:**
- HIGH VOLTAGE TEST: DC/300V
 - INSULATION RESISTANCE: $<20\text{ M}\Omega$
 - CONTACT RESISTANCE: $<2\Omega$
 - OPERATING TEMPERATURE: $-20\sim 50^{\circ}\text{C}$
 - STORAGE TEMPERATURE: $-40\sim 70^{\circ}\text{C}$
 - $1\mu\text{m}/0.025\mu\text{m}$ Gold Plating
- MECHANICAL**
- Materials: UV stabilized PC+ABSUL94V-0

