

HF20 HF35 Clipsink - TO220 etc.

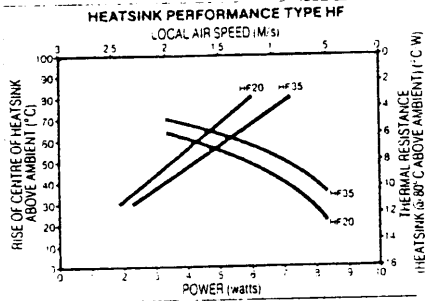
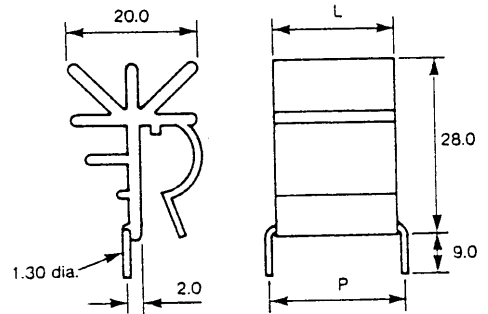
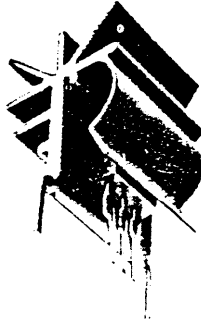
1213432 = HF20

Versatile and powerful extruded clip heatsink.
Incorporates tinned wire leads enabling soldering to P.C.B.

Finish: Body - Black anodised

HF20 L = 20 P = 21 $\Theta = 13^\circ$ C/W

HF35 L = 35 P = 36 $\Theta = 11^\circ$ C/W

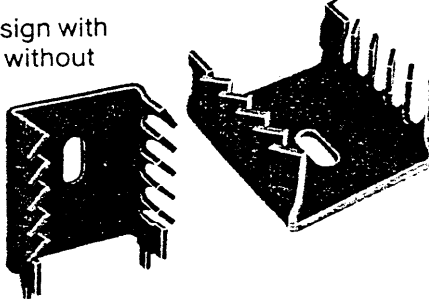
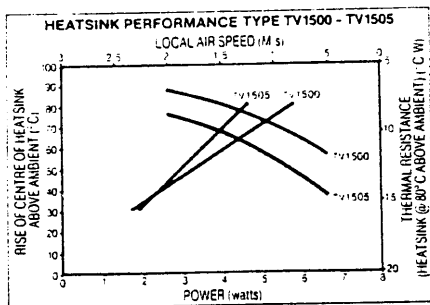


TV1500 Powerfin - TO220, TO126, etc

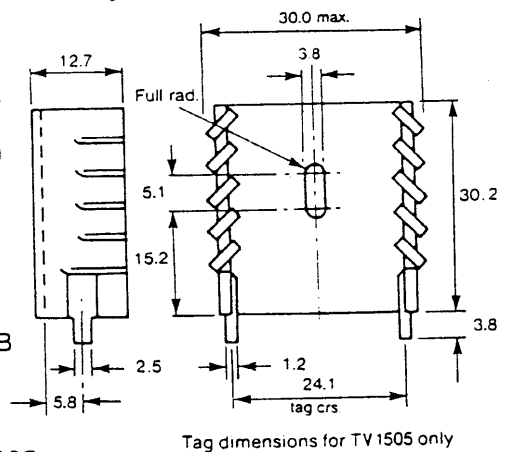
TV1505 Powerfin - TO220, TO126, etc

Low profile - low cost twisted vane design with good thermal rating. Available with or without integral tags.

Finish: Black anodised



TV1500 $\Theta = 14^\circ$ C/W
British Telecom Ref: 1MAA01168AAB
Nato code: 5999.99.774.5916
TV1505 $\Theta = 17^\circ$ C/W
with integral mounting tags
for insertion into P.C.B. See also TV905.



Tag dimensions for TV 1505 only

TV65 Powerfin - TO220 etc.

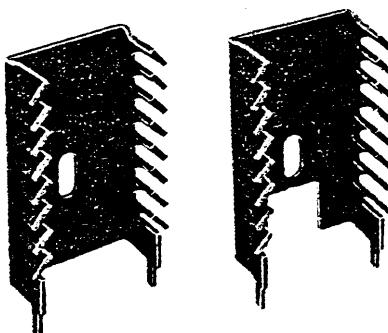
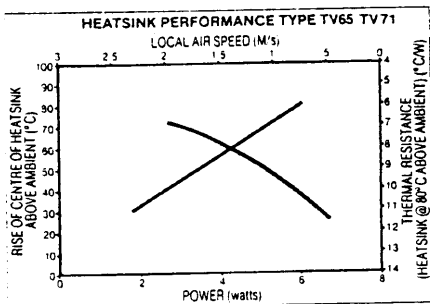
TV71 Powerfin - TO202

For vertical mounting in P.C.B. with integral tags for mechanical support.

Finish: Black anodised.

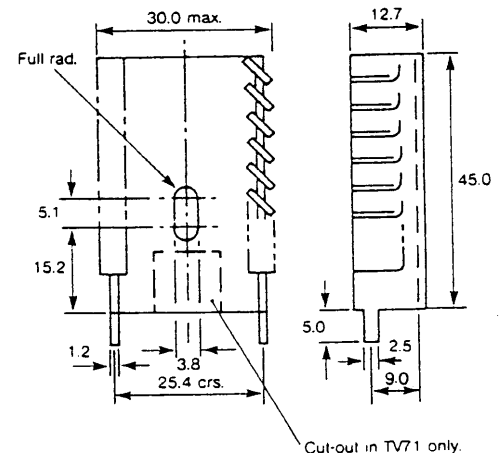
TV65 $\Theta = 13^\circ$ C/W

TV71 $\Theta = 13^\circ$ C/W



TV65

TV71



Cut-out in TV71 only.