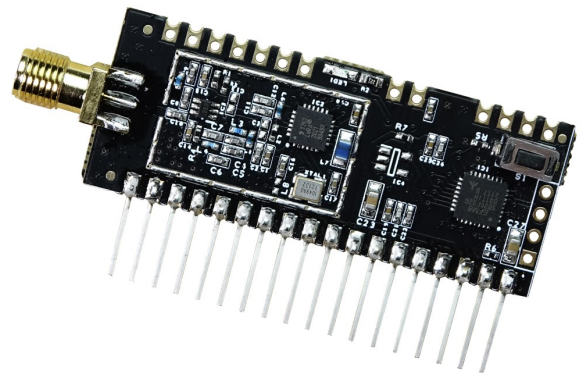
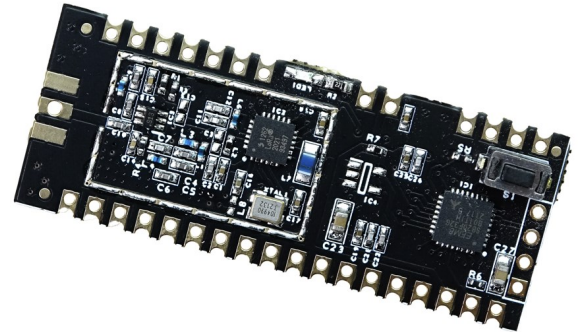




20Km Telemetry Module

Features

- Range 20Km+
- Transmit Power +22dBm
- Receive Sensitivity -148dBm
- 10 “No Volt” Switch inputs
- 10 Digital Switching outputs
- 1 x serial data output
- Map any I/P to any or many O/P's
- FSK / Spread Spectrum technology
- No external components
- Supply Voltage 1.8-3.6V or 3.6-15V
- Operates at 868 or 915MHz
- SIL version with SMAF connector
- 868MHz RED/ CE compliant



Intended Use

- Long Range Telemetry
- Remote Switching
- Embedded Remote Control
- Remote Sensors

Description

GAMMA62T Telemetry Module can be a Transmitter / Receiver / Transceiver based industrial bi-directional remote module. Two or more modules may be combined to provide a simple or complex network of radio telemetry. It can also be used in conjunction with any RF Solutions hand held transmitter operating on the same frequency to create an embedded Remote Control System.

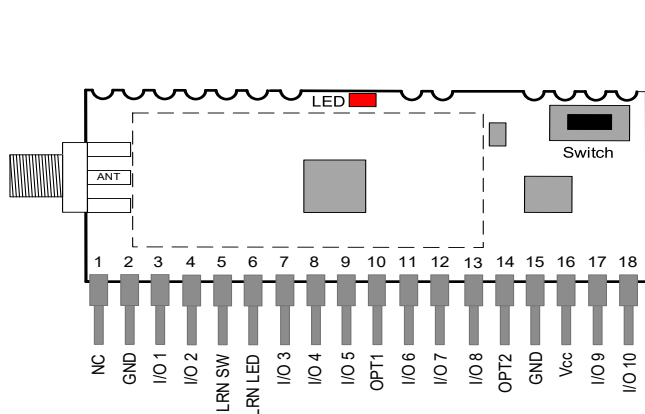
GAMMA62T is easy to use with direct no-volt Switch input and direct Switching outputs. GAMMA62T uses the latest OFDM, spread spectrum technology and extensive algorithm enhancements to achieve an industry leading 20+Km (12+mile) range.

Part Numbering 1.8 - 3.6V Version

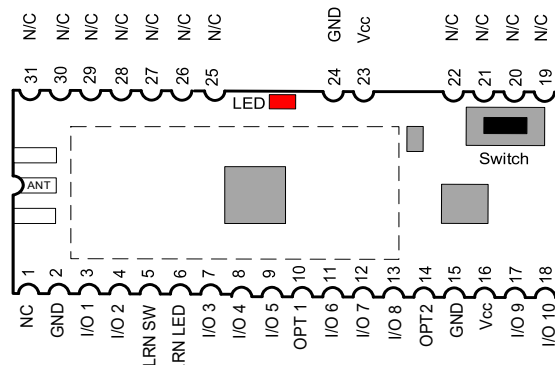
Part No	Description
GAMMA62T-89S	SMT package 868/918MHz
GAMMA62T-89D	SIL package 868/918MHz

Part Numbering 3.6 - 15V Version

Part No	Description
GAMMA62TR-89S	SMT package 868/918 MHz
GAMMA62TR-89D	SIL package 868/918MHz



GAMMA62 SIL version



GAMMA62 S (SMT) version

Operating Mode	OPT1 (pin10)	OPT2 (pin14)	Digital Inputs	Digital Outputs	Serial Output
Transmitter All I/O lines are dedicated as "no volt" digital inputs (open/closed contact switch)	NC	NC	10	-	
Receiver All I/O lines are dedicated as digital switching outputs.	NC	GND	-	10	
Transceiver Operates as a combination of 4 x "no volt" digital inputs and 4 x digital switching outputs, and 1 x Serial Data output.	GND	NC	4	4	1

Pin No	Name	Direction	Description
1	NC	-	Do not connect
2, 15, 24*	GND	In	Connect to ground (*SMT version only)
3, 4, 7, 8, 9, 11, 12, 13, 17, 18	I/O 1-10 Or OP1-4 and IP1-4	-	<p>When configured as transmitter: Pins 3, 4, 7, 8, 9, 11, 12, 13, 17, 18 Inputs are internally pulled high, active low</p> <p>When configured as receiver: Pins: 3, 4, 7, 8, 9, 11, 12, 13, 17, 18 All outputs are internally pulled low, active high Maximum drive current per output 12.5mA (100mA total).</p> <p>Where configured as a transceiver: Pins: 3,4,7,8 outputs and pins 9, 11-13 inputs Inputs and outputs act as above. Pin:17 Configured as Serial TX Output Pin:18 Do Not Connect</p> <p>NOTE: due to hardware limitations I/O 9 and 10 cannot provide the "Acknowledgment" feature</p>
5	SET SW	In	Internally pulled high, active low switch input. Connect to ground to activate. Operation directly matches the on board SET switch. Leave unconnected if not required.
6	LED	Out	Optional LED drive output which mirrors the on-board LED. See example LED drive circuit on page 5.
10, 14	OPT1, OPT2	In	Option links for module Operation Mode setting
16, 23*	Vcc	In	Supply voltage (*SMT version only)

Transmit Mode

GAMMA62 module configured as a transmitter

When configured as a transmitter the GAMMA62 module will automatically default to low power sleep mode. A change on any input(s) will cause the GAMMA62 to wake, read all inputs and initiate RF transmission, (multiple input changes may take place simultaneously).

Maximum switching frequency is dependent on the LORA™ mode in which the GAMMA62 is operating see Configuring a GAMMA62 module for more information on LORA™ modes.

"No Volt" Digital inputs: High impedance inputs, LVCMOS/LVTTL compatible, 5V tolerant. Can be connected directly to CMOS/TTL logic or switch inputs connected to 0V or VCC.

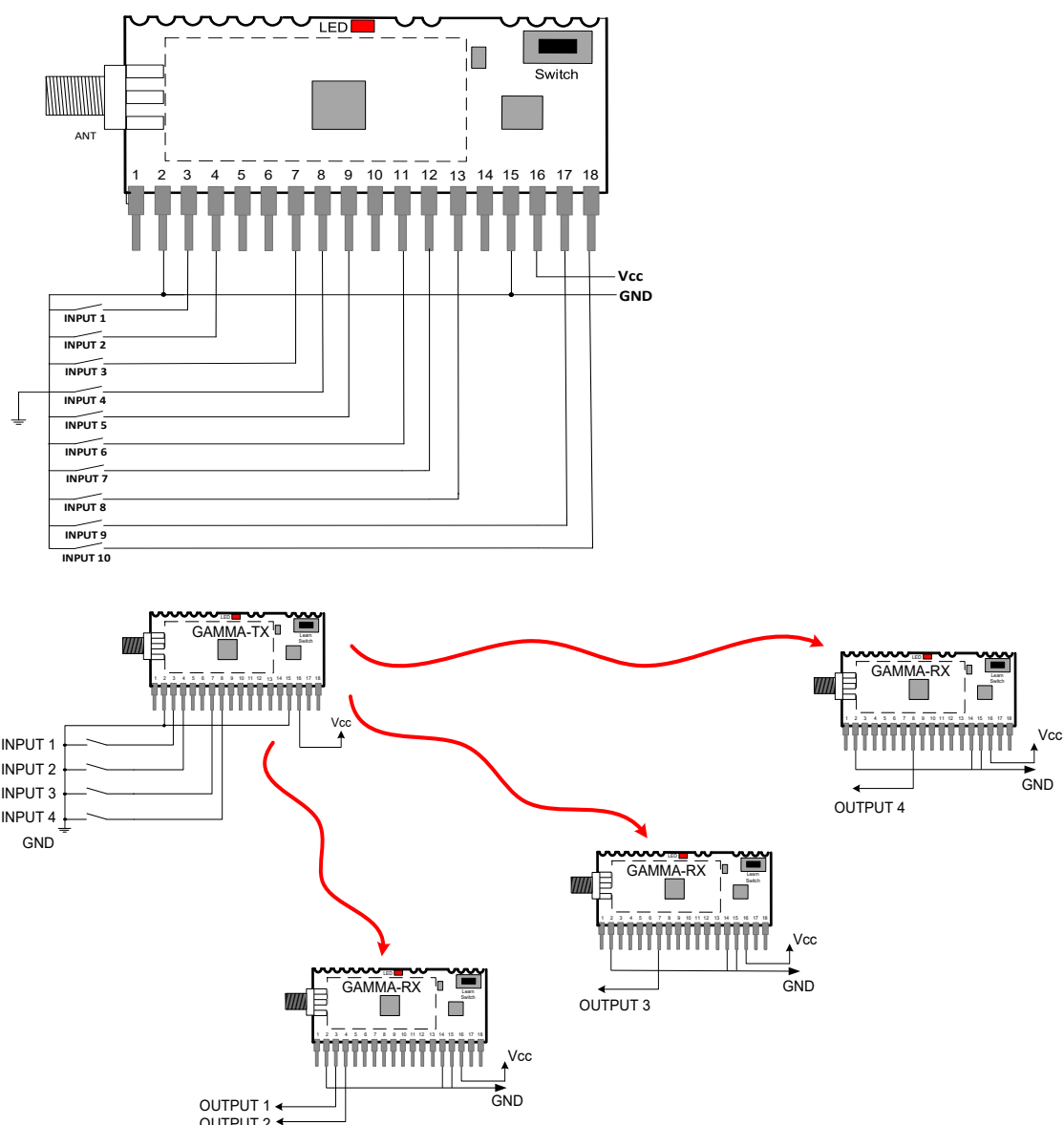
Transmitter application circuit example

Description:

This example shows a GAMMA62 module configured as a transmitter with all 10 inputs connected. Each input to be connected to GND to activate.

Application example:

Example showing 1 transmitter paired to 3 receivers - I/O used is arbitrary.



Receive Mode

GAMMA62 module configured as a receiver

When configured as a receiver the GAMMA62 module will remain in listening mode. When a valid RF Transmission is received it will:

1. Flash the onboard LED.
2. Action output changes. Each output will follow the status of its associated (paired) transmitter input.
3. Send back an RF Acknowledge if requested.

Digital outputs:

Active high LVCMOS/LVTTL compatible outputs. Can be connected directly to CMOS/TTL logic or drive.

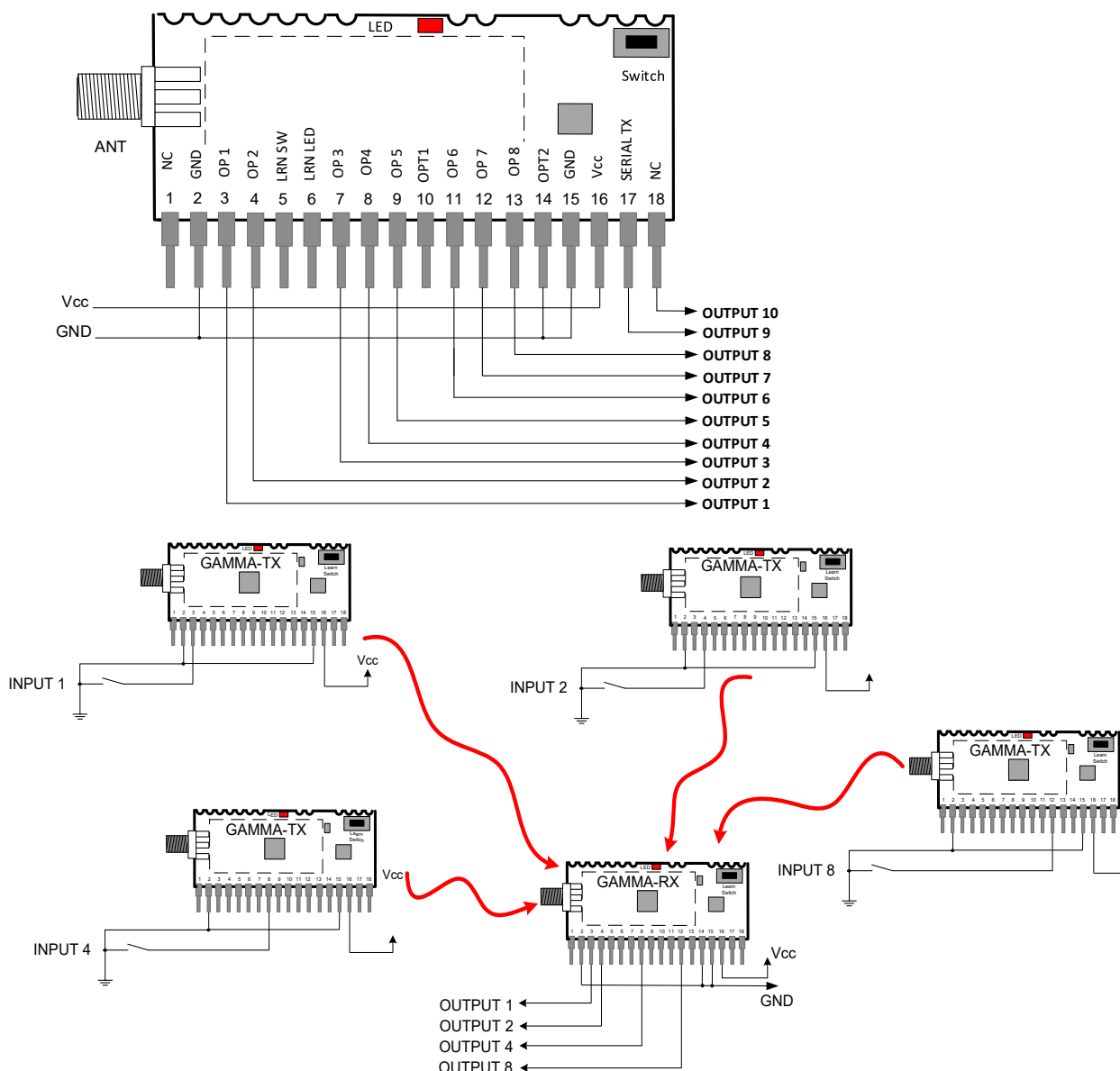
Receiver example application circuit

Description:

This example shows a GAMMA62 module configured as a receiver with all 10 outputs connected. The external learn switch and LED are also not fitted in this example.

Application example:

Example showing 4 transmitters paired to one single receiver - I/O used is arbitrary.



Transceiver Mode

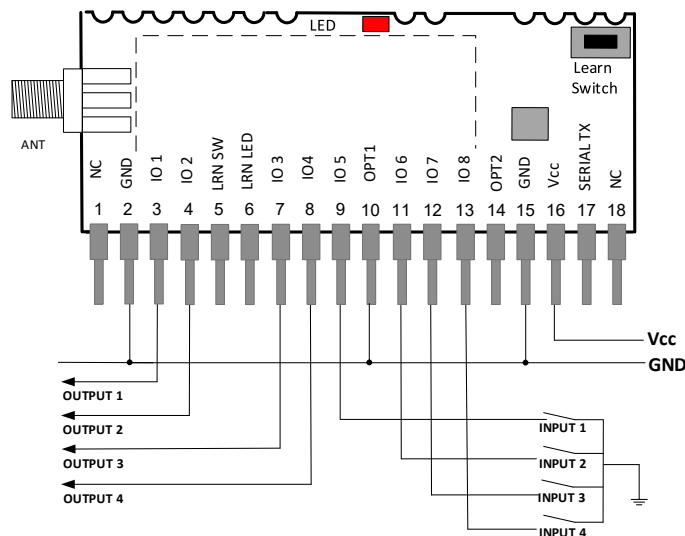
GAMMA62 module configured as a transceiver

When configured as a transceiver the GAMMA62 assigns its I/O lines; 1-4 as outputs and 5-8 as inputs (as shown below).

“no volt” Digital Inputs: High impedance inputs, LVCMOS/LVTTL compatible, 5V tolerant. Can be connected directly to CMOS/TTL logic or switch inputs connected to 0V or VCC.

Outputs are active high LVCMOS/LVTTL compatible and can be connected directly to CMOS/TTL logic or drive. A change on the input will cause the GAMMA to wake, read all inputs and initiate RF transmission.

Transceiver application circuit example

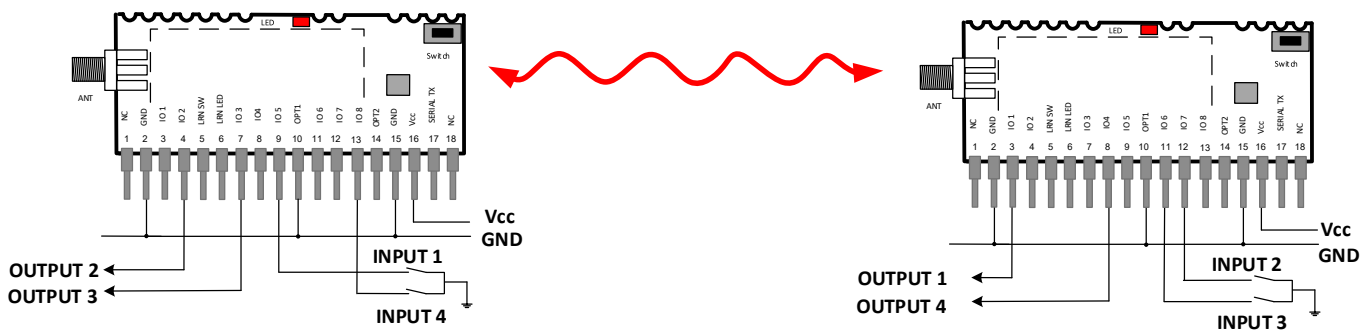


Description:

The example above shows a GAMMA62 module with 4 connected inputs and 4 connected outputs. Pairing modules in transceiver mode auto-maps all inputs on the remote devices to all outputs on the local device. In this way it is possible to connect modules in bi-directionally as in the below example.

Application example:

The below example shows two GAMMA62 modules paired in both directions.



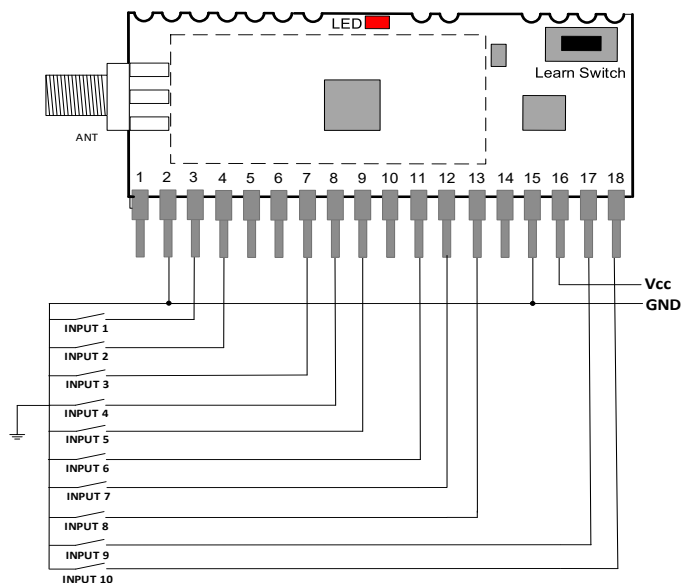
Parallel to Serial Mode

When an I/O on a GAMMA62 module is activated the module will send data.

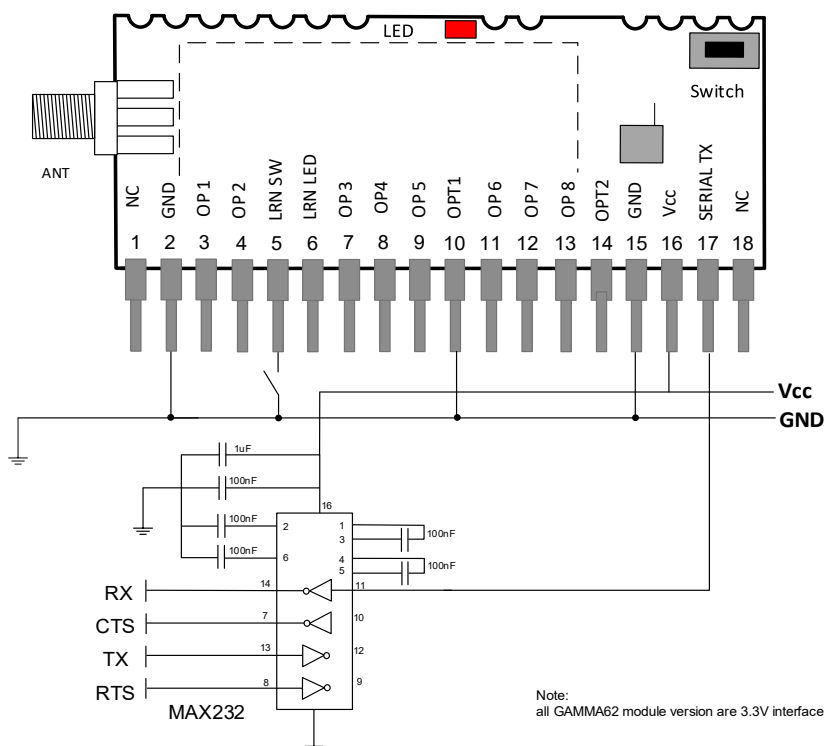
All GAMMA62 modules within range and configured in Transceiver mode; will output the data via their TX pins.

Note that if a GAMMA62 Module is paired with another module, when an RF command is received to update the digital outputs. The GAMMA62 module will also output a serial data string showing output status.

Parallel transmitter application circuit example



Serial receiver application circuit example



Configuring the GAMMA62T Module

Using the Onboard Switch The following can be configured

Menu (LED)	Description
0	Transmit a Riot Learn Signal for use with Riot Remote Control, this causes the GAMMA62 to transmit a learn signal to enable the GAMMA62 status to be viewed on a SMARTPHONE/Device
1	Pairing Procedure Procedure to follow for GAMMA62 RX/TRX to learn another GAMMA62 or an RF Transmitter To create a remote Telemetry system Note A GAMMA62 in TRX mode always outputs Serial Data of the received (Pairing is required only for the digital Telemetry outputs)
2	RF Mode of Transmission (FM or LORA Mode 1 - 7) Sets GAMMA62 to operate in FM (FSK) modulation, or long Range LORA Modes 1-7
3	Acknowledgement This configures a GAMMA62, when transmitting to request an Acknowledgment back from the GAMMA62 that is receiving to provide confirmation acknowledgment back to the GAMMA62 Transmitter.
4	PIN Learn or Module Learn Sets the pairing procedure as either an individual Transmitter input pin to Receiver output pin, or, a complete module to module with the inputs and puts auto paired as 1-1, 2-2, 3-3 etc Module pairing maximises the number of pairings that can be completed Pin pairing enables more complex systems to be achieved

Erase all Pairings (Receiver/Transceiver)

1. Operate the Switch for 5 secs
2. LED will flash slowly 2X to confirm all paired Transmitters are erased from memory

Note: this has no effect on the configuration settings

Reset to Factory Default Settings

1. Apply power with the Switch Operated. Continue to hold the Switch for 5 secs
2. LED will flash slowly 2X to confirm GAMMA62 has Reset all configuration Settings to factory default

Note: This procedure does not erase the Memory of any stored Transmitters

GAMMA62 factory default settings

RF Transmission	FM
Acknowledgment	OFF
Learn Mode	PIN

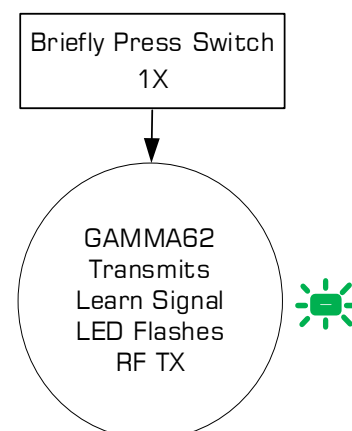
Self Test Mode

1. Apply power with the Switch Operated. (after Power On the Switch can be released).
2. GAMMA62 will then Operate all Outputs individually then alternately
3. Transmit an RF Test Signal on Full power.

Transmit a RIoT Learn Signal

GAMMA62 has been designed to operate within the RF Solutions RIoT Range of products. This enables the status of a GAMMA62 Transmitter/Transceiver inputs to be monitored in real time on a smartphone or website.

At the time of writing this datasheet this has not yet been implemented.



Pairing Procedure

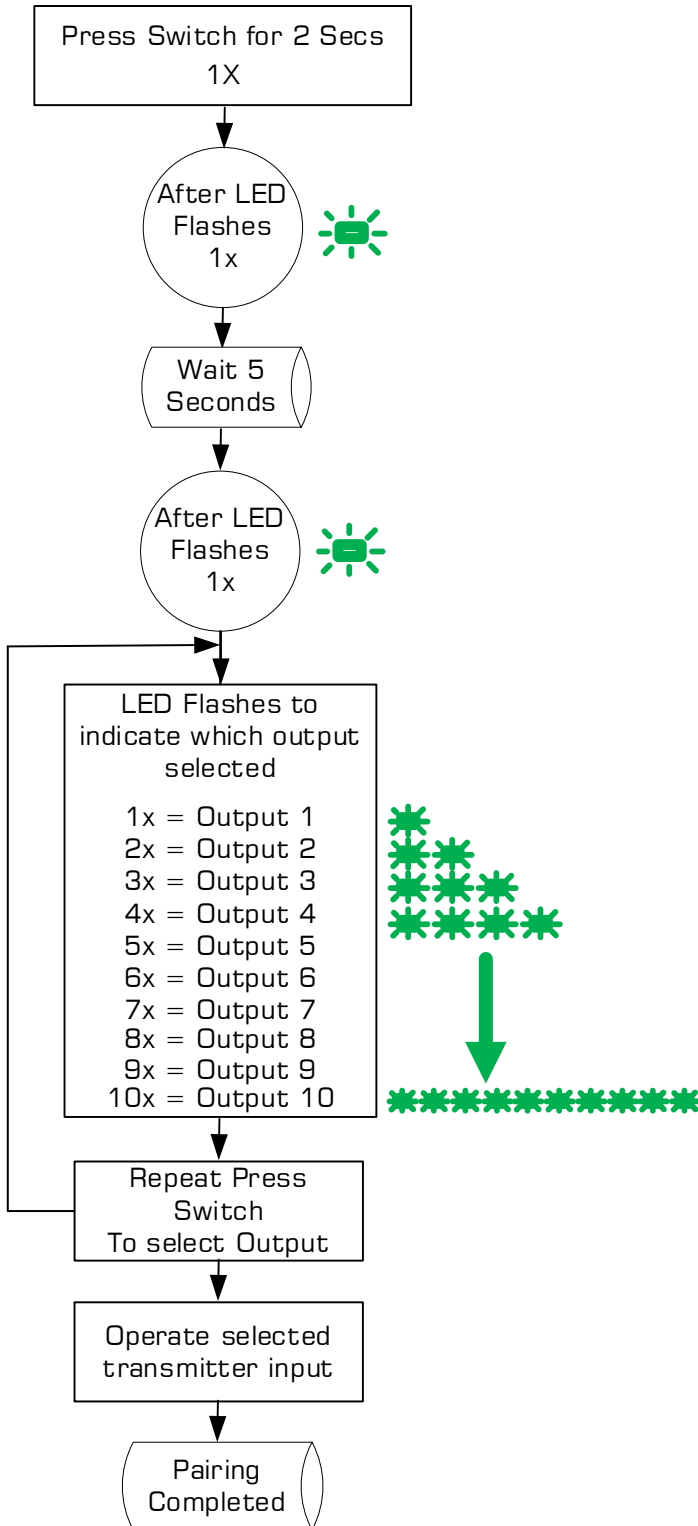
A GAMMA62T that is set to Receive can “learn” another GAMMA62T that is transmitting or any other compatible RF Transmitter, to create a remote Control system.

Each receiving GAMMA62 can learn and store upto 32 Transmitter pairings.

One pairing is defined as either a one PIN learn or one Module learn. To Select Pin/Learn mode see later section.

PIN Learn

User select an individual output Pin to pair with an individual transmitter input.



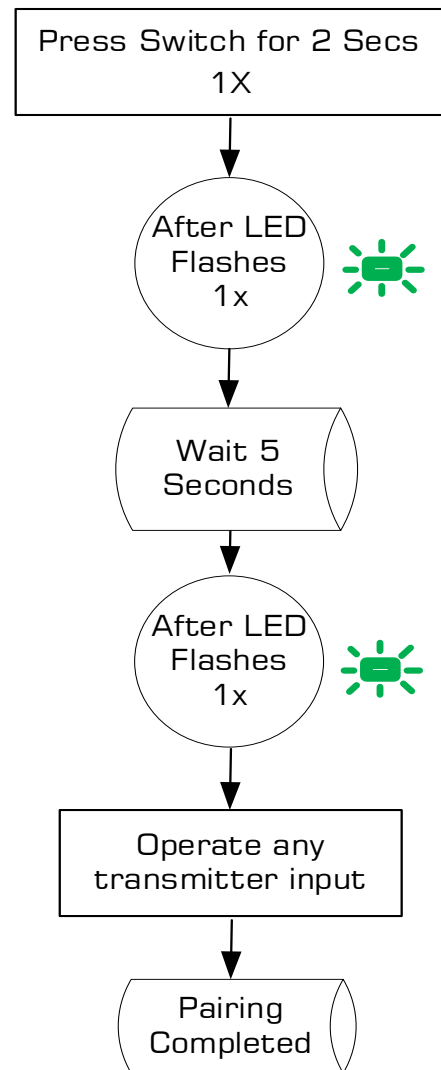
MODULE Learn

This procedure automatically assigns all Transmitter inputs to GAMMA62 outputs as follows

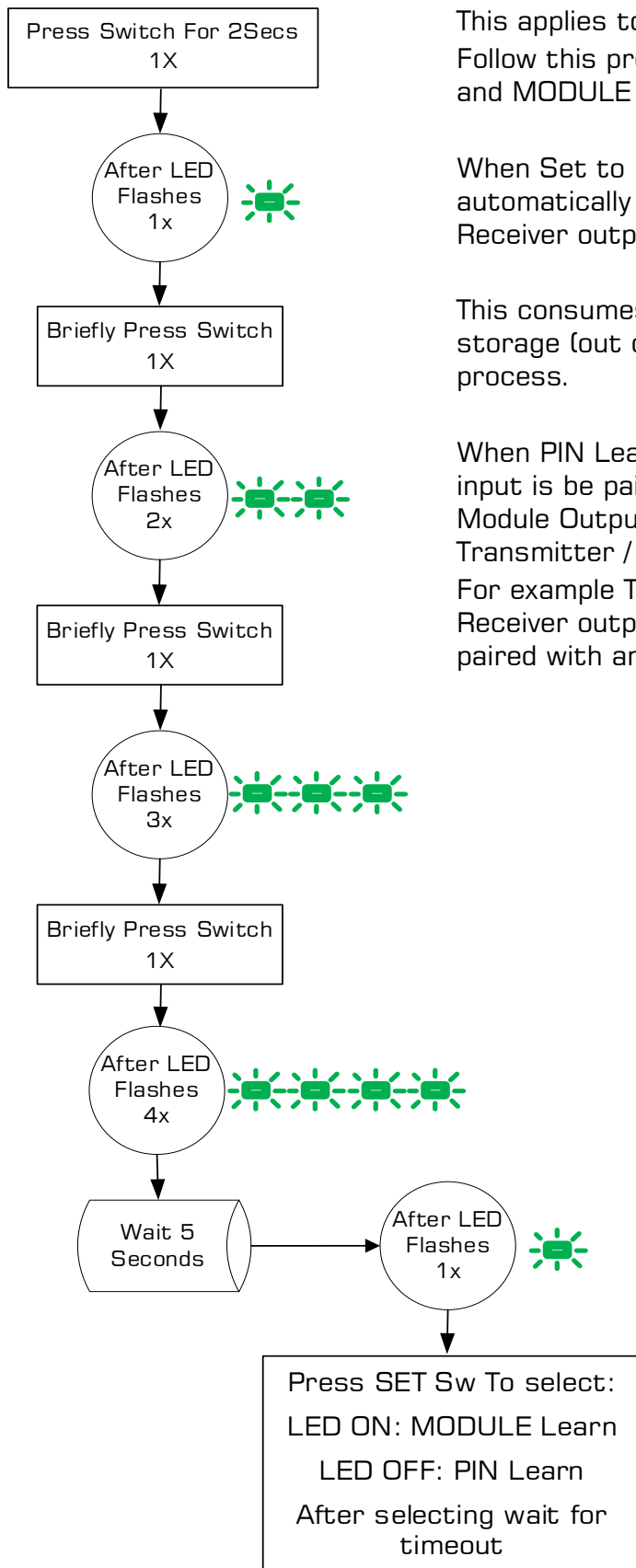
I/P 1 paired with O/P1

I/P 2 paired with O/P2

I/P 3 paired with O/P3etc



Set Pairing as either PIN Learn or MODULE Learn



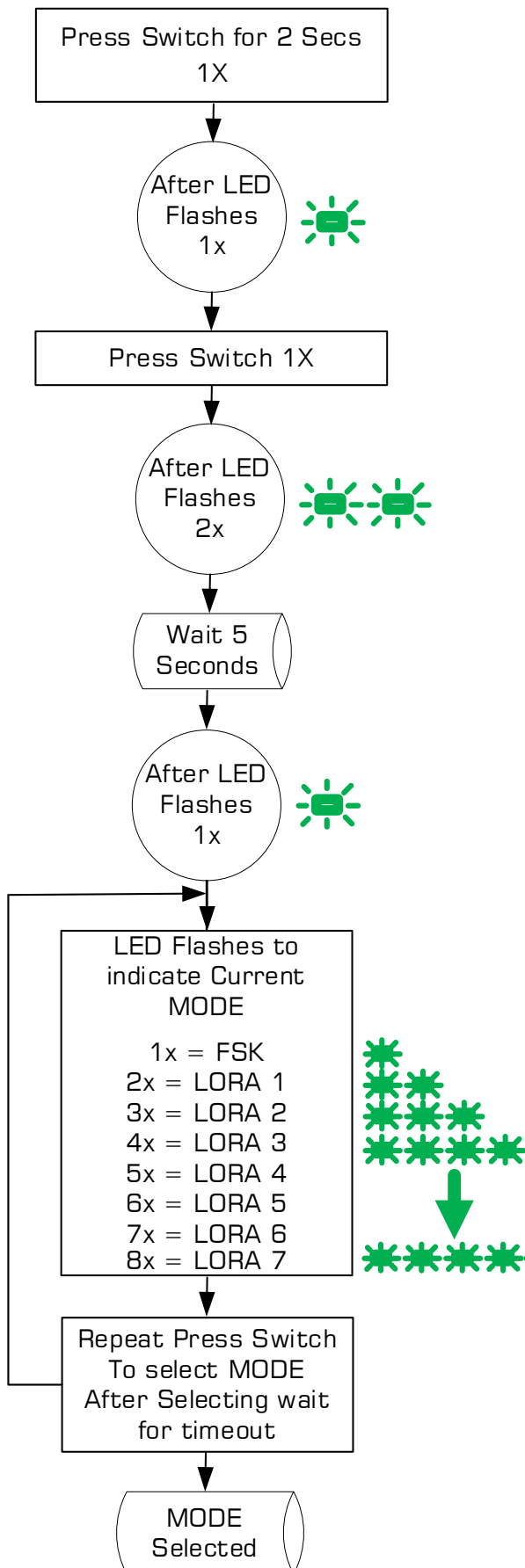
This applies to a GAMMA62T that is **transmitting only**
Follow this procedure to switch between PIN Learn and MODULE Learn.

When Set to MODULE Learn. A single pairing process automatically assigns **all** Transmitter inputs to all Receiver outputs, 1-1,2-2, 3-3 etc.

This consumes only one of the Receivers memory storage (out of 32) and provides a quicker pairing process.

When PIN Learn is selected, an Individual Transmitter input is be paired with any one of the GAMMA62 Module Outputs thus creating more complex Transmitter / Receiver relationships
For example Transmitter input 1 could be paired with a Receiver output 4, and Transmitter input 2 could be paired with another Receiver output 4, etc.

To Set the RF Transmission MODE



Notes

Selects the type of RF Modulation. This can be:

FM

LoRa Modes 1 to 7 (Spread Spectrum)

FM Modulation provides the fastest operation time from Transmit activation to Receiver output.

LoRa Modulation provides a longer Operating range (Mode 7 is the longest), this however increases the propagation time from Transmit activation to Receiver output.

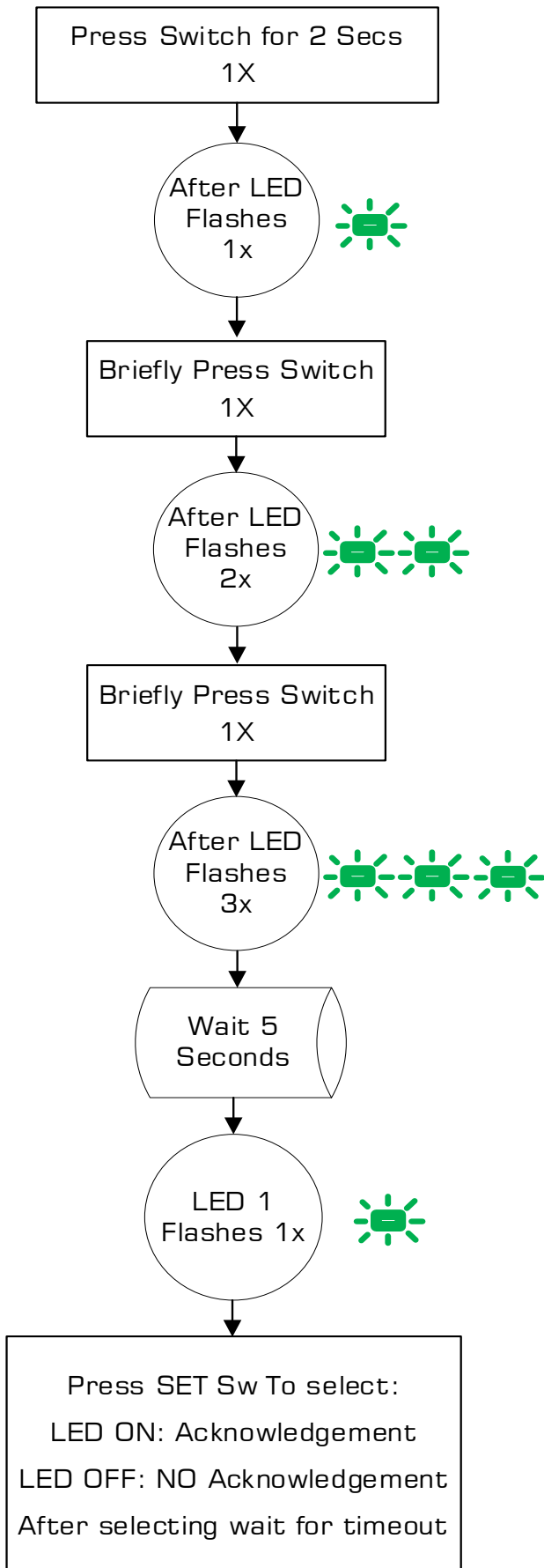
Please see Table below:

RF Transmission	Mode (No of LED1 Flashes)	Propagation Time from TX to output Activated (approx)
FM	1	20 mS
LoRa Mode 1	2	20 mS
LoRa Mode 2	3	40 mS
LoRa Mode 3	4	80 mS
LoRa Mode 4	5	160 mS
LoRa Mode 5	6	320 mS
LoRa Mode 6	7	640 mS
LoRa Mode 7	8	1.28 Secs

Notes

Range is dependant on many factors including the mode of transmission. Range can be reduced as much as 75% in built up areas with poor antenna, and environmental conditions

Acknowledgement Request



This applies to a GAMMA62T that is **transmitting only**

When Acknowledgment Request is activated, the transmitting GAMMA62 includes an acknowledgement request within each radio transmission.

When the successful acknowledge signal is received back by the transmitting GAMMA62 module, the LED will briefly flash, if no acknowledge is received the LED will flash rapidly 5 times.

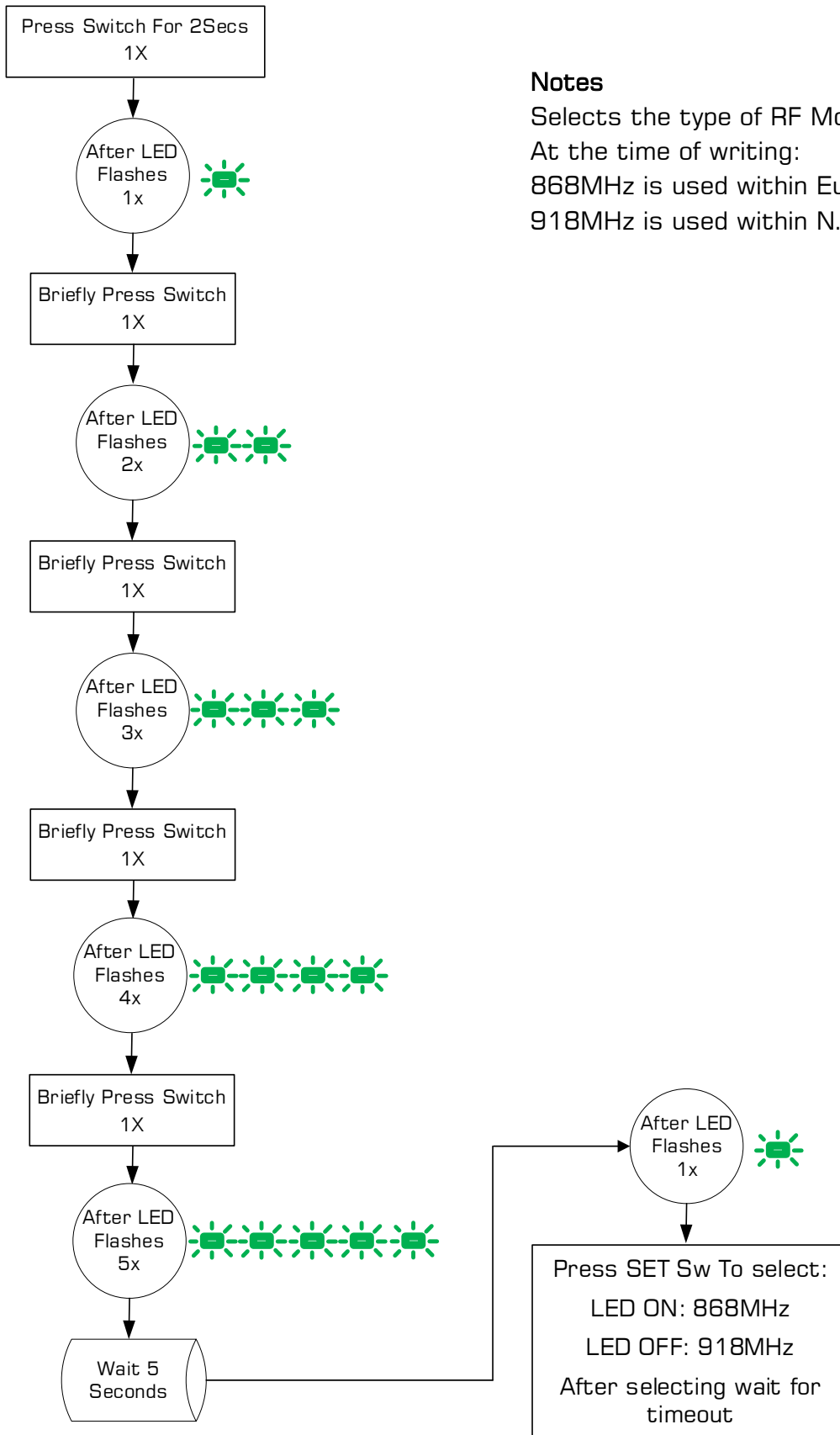
NOTE : This will be after the transmitter has retried four times.

Due to hardware limitation I/O 9 & 10 cannot provide the "Acknowledgment" feature

RF Acknowledgment from Receiver - Warning!

Whilst in theory if an RF signal can be transmitted one way then it can be returned, in practice occasionally the received acknowledgement may not penetrate as well as the GAMMA62 transmitted signal.

To Set the RF Carrier Frequency (868/918MHz)



Notes

Selects the type of RF Modulation.

At the time of writing:

868MHz is used within Europe

918MHz is used within N.America and Australia



Receiver Serial Data Output

GAMMA62 in RX and TRX mode automatically outputs the serial number, button and battery status of any received compatible RF transmitter. This data may be fed directly to a microcontroller or RS232 type driver circuit which may then be fed directly to a PC serial port. Serial data is output on every packet receipt regardless of whether the Transmitter has been learnt or not. The serial data packet contains a learn bit to show if an encoder input is learnt.

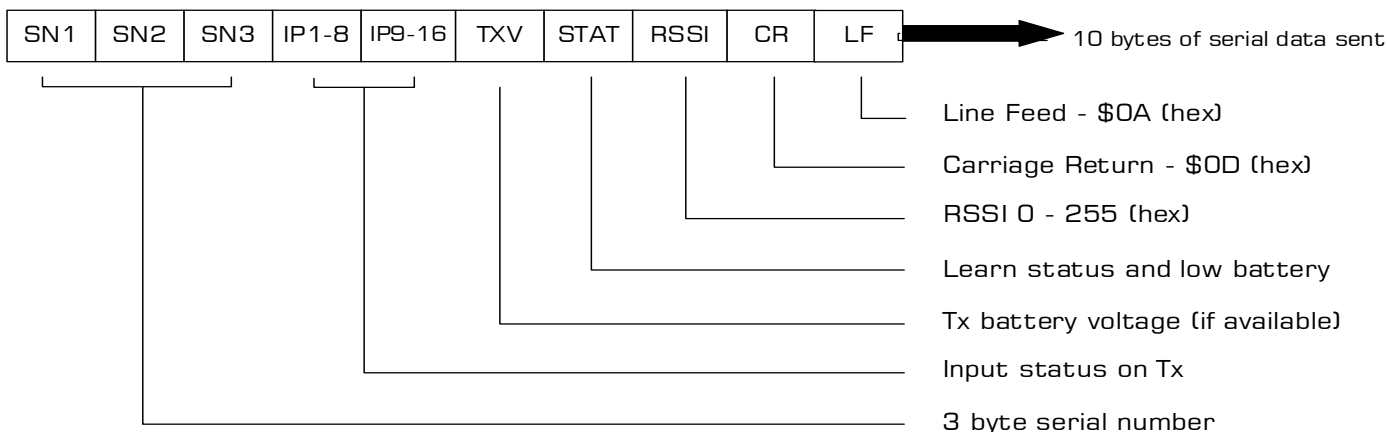
Serial data configuration

Baud Rate: 19,200
Data bits: 8
Parity: none
Stop bits: 1
Handshaking: none

Serial data format:

Serial number [SN1 SN2 SN3]:

Made up of three 8-bit bytes where the most significant byte is transmitted first.



Example: 12ABAA (hexadecimal) or 0001 0010 1010 1011 1010 1010 (binary).

Tx inputs [IP1-8 IP9-16]:

made up of two 8-bit bytes. The low order byte is sent first representing inputs 8 down to 1 where the MSB is input 8 and the LSB is input 1. The high order byte is sent next representing inputs 16 down to 9 where the MSB is input 16 and the LSB is input 9.

A bit at state 1 represents an encoder input as active.

Using this method inputs can be multiplexed giving maximum versatility.

Example: 00000000 00010000 Shows input 13 active.
 10000000 00000000 Shows input 8 active
 10000001 10000000 Shows inputs 16, 8 and 1 active

Learn status and low battery:

One 8 bit byte:

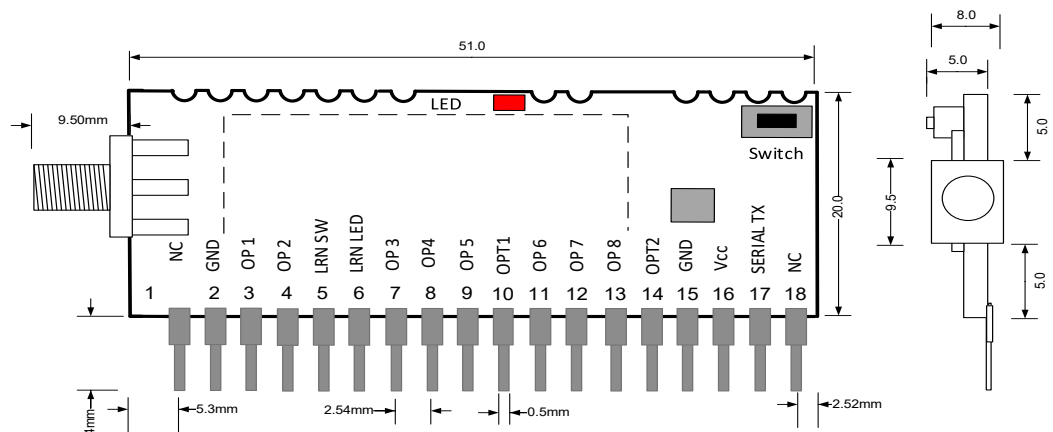
Bit0 shows low battery on Tx - where 1 = Low battery

Bit1 shows learn status of Tx - where 1 = Learnt

RSSI

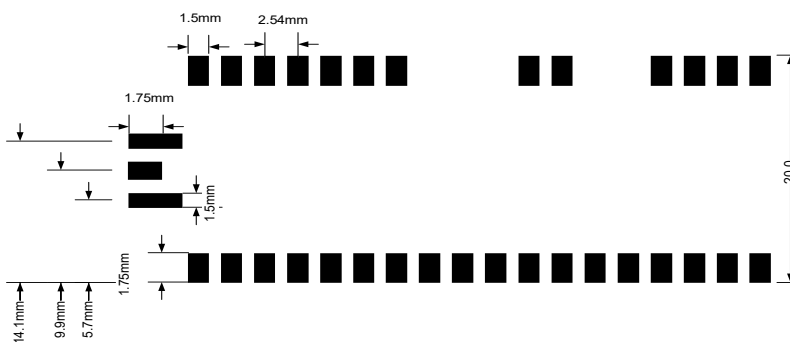
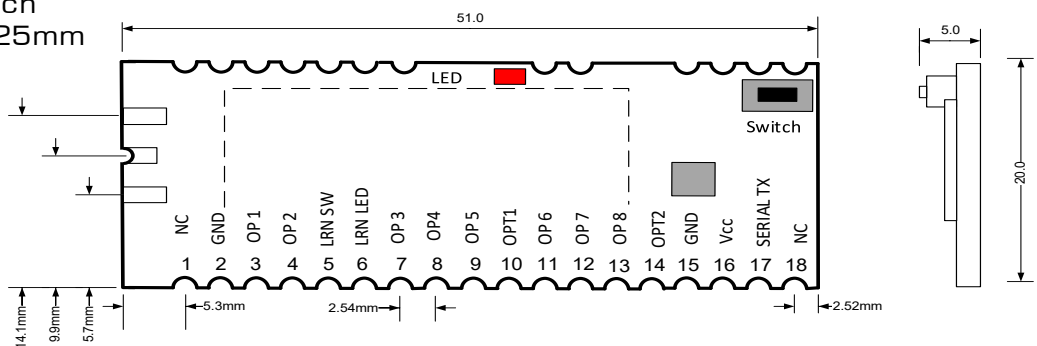
Received Signal Strength Indication.

Mechanical Dimensions



Notes

1. Pins 2.54mm pitch
2. Pin Dims 0.5x0.25mm
3. All dims in mm



Range Considerations

The antenna choice and position directly affects the system range, keep it clear of any large metal parts. The best position is protruding vertically from the top of the product. This is often not desirable for practical reasons and thus a compromise may be needed. Note that the space around the antenna is as important as the antenna itself, all radio systems are dependent on a radio signal being received through airspace.

The range quoted is the optimal in direct line of sight, without obstacles and in good atmospheric conditions.

Range is affected by many things, for example local environmental conditions, atmospheric conditions, interference from other radio transmitters. For evaluating the local environment please see our RF meter (DS006)

In very worse case applications the range quoted may be reduced dramatically below the optimal range stated.

Technical Specifications

Absolute Maximums:

Temperature range: **Storage:** -50 to +125°C. **Operating:** -10 to +50°C

Parameter	Min	Max	Units
Supply voltage Standard version	1.8	3.6 *	V
Supply voltage high Voltage version "R"	3.6	16 *	V
Voltage on any input**	-0.3	5.8	V
Max input power (through RX antenna)		+10	dBm
Max current sourced / sunk (Per I/O)		5 / 12.5	mA
Max current sourced / sunk (Total)		100	mA

**Absolute Maximum Supply do not exceed this value*

***I/O pins are 5V tolerant when operating at 3V supply*

DC Characteristics

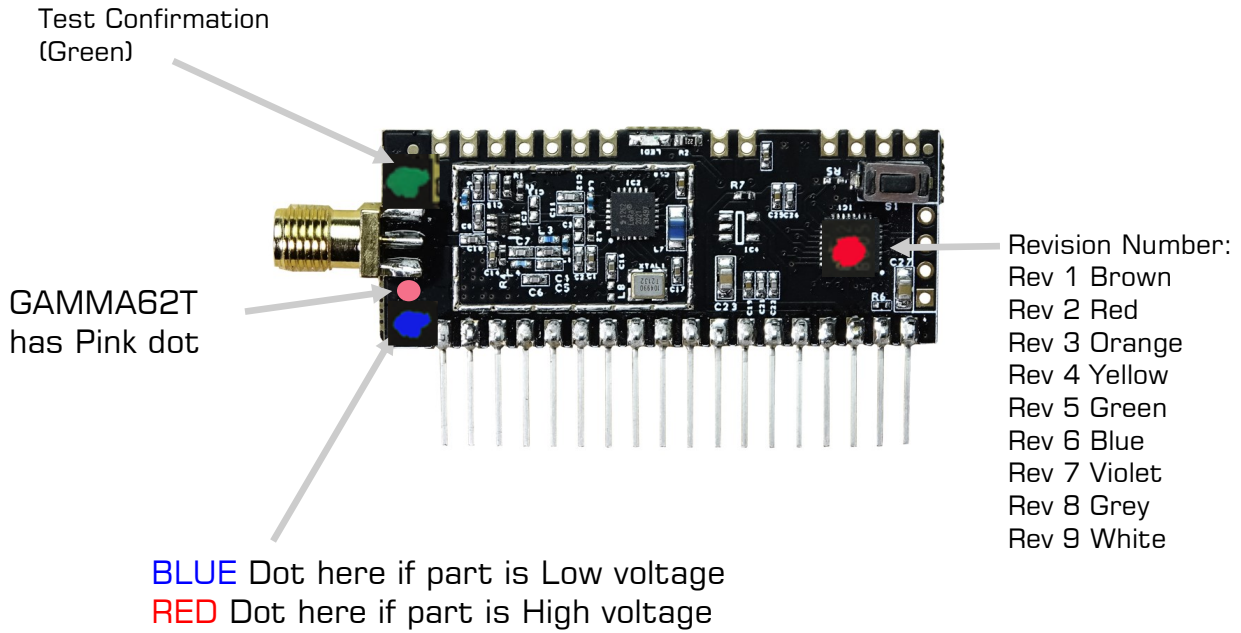
Parameter	Min	Typical	Max	Units
Supply voltage	1.8	3.3V	3.6	V
Operating temperature	-40		+85	°C
GAMMA- TX supply current:				
When transmitting	-	118		mA
Low Voltage version when sleeping		1		uA
High Voltage version when sleeping		75		uA
GAMMA- RX supply current:				
When receiving	19	20	23	mA

AC Characteristics

Parameter	Min	Typical	Max	Units
Operating frequency		869.5 918.0		MHz
Operating temperature	-40		+85	°C
GAMMA- TX output power			+22	dBm
GAMMA- RX Sensitivity	-121		-137	dBm

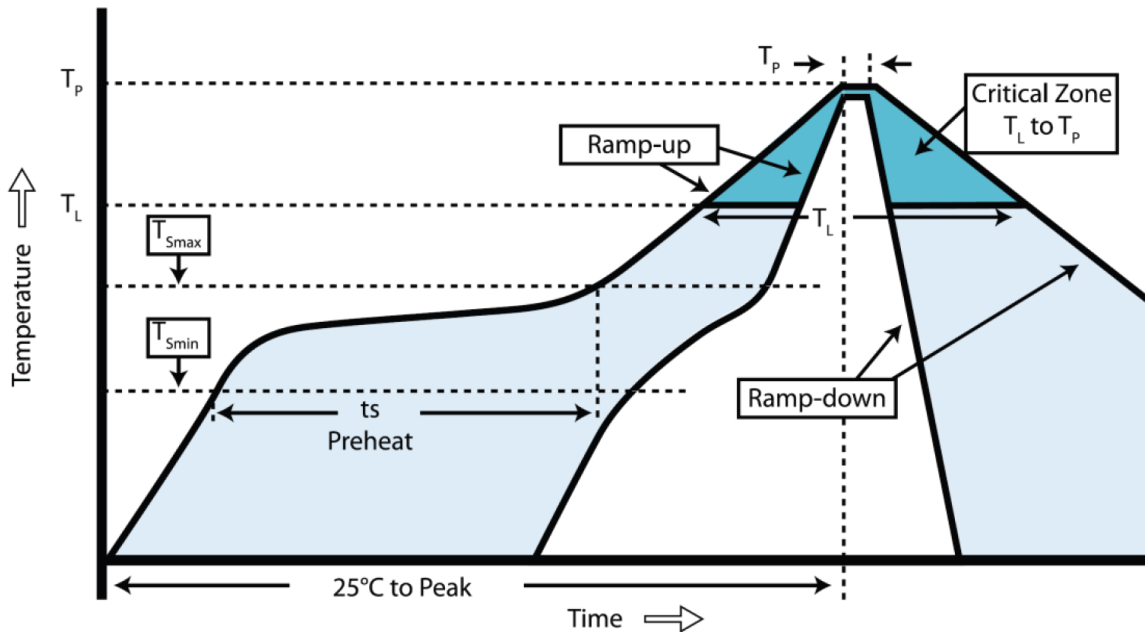
Module Identification

On Power on the onboard LED will flash once to indicate the module type as a Telemetry module



ZPT Revision Change History			
Part	ECN / Date	New Revision	Change / Fix
GAMMA62T	N/A	1	Initial Release Feb 2022

Module re-flow guide



The GAMMA62 MODULE is a 4 layer PCB, re-flow is based on IPC/JEDEC JSTD020C July 2004

Profile feature	Value (lead free)
Ramp up rate	3°C /s
Pre-heat temperature	
- Temperature Min (T_{smin})	150°C
- Temperature Max (T_{smax})	200°C
- Pre-heat time	60-100s
Peak temperature (T_p)	240°C
Time at T_p	10-20sec
Ramp down rate	6°C/s
Time from 25°C to peak	8 mins max.

Simplified Declaration of Conformity (RED)

- BG** - С настоящото RF Solutions Limited декларира, че този тип радиосъоръжение е дефинирано в този документ в съответствие с Директива 2014/53/ЕС. Цялостният текст на ЕС декларацията за съответствие може да се намери на следния интернет адрес: www.rfsolutions.co.uk
- CS** - Tímto RF Solutions Limited prohlašuje, že typ rádiového zařízení definované v tomto dokumentu je v souladu se směrnicí 2014/53/EU. Úplné znění EU prohlášení o shodě je k dispozici na této internetové adrese: www.rfsolutions.co.uk
- DA** - Hermed erklærer RF Solutions Limited, at radioudstyrstypen defineret i dette dokument er i overensstemmelse med direktiv 2014/53/EU. EU-overensstemmelseserklæringens fulde tekst kan findes på følgende internetadresse: www.rfsolutions.co.uk
- DE** - Hiermit erklärt RF Solutions Limited, dass der Funkanlagentyp in diesem Dokument definiert der Richtlinie 2014/53/EU entspricht. Der vollständige Text der EU-Konformitätserklärung ist unter der folgenden Internetadresse verfügbar: www.rfsolutions.co.uk
- EL** - Με την παρούσα ο/η RF Solutions Limited, δηλώνει ότι ο ραδιοεξοπλισμός ορίζεται σε αυτό το έγγραφο πληροί την οδηγία 2014/53/ΕΕ. Το πλήρες κείμενο της δήλωσης συμμόρφωσης ΕΕ διατίθεται στην ακόλουθη ιστοσελίδα στο διαδίκτυο: www.rfsolutions.co.uk
- EN** - Hereby, RF Solutions Limited declares that the radio equipment type defined within this document is in compliance with Directive 2014/53/EU. The full text of the EU declaration of conformity is available at the following internet address: www.rfsolutions.co.uk
- ES** - Por la presente, RF Solutions Limited declara que el tipo de equipo radioeléctrico definido dentro de este documento es conforme con la Directiva 2014/53/UE. El texto completo de la declaración UE de conformidad está disponible en la dirección Internet siguiente: www.rfsolutions.co.uk
- ET** - Käesolevaga deklareerib RF Solutions Limited, et käesolev raadioseadme tüüp määratletud selles dokumendis vastab direktiivi 2014/53/EU nõuetele. ELi vastavusdeklaratsiooni täielik tekst on kättesaadav järgmisel internetiaadressil: www.rfsolutions.co.uk
- FI** - RF Solutions Limited vakuuttaa, että radiolaitetyyppi määriteltäessä selles dokumendis on direktiivin 2014/53/EU mukainen. EU-vaatimustenmukaisuusvakuutuksen täysimittainen teksti on saatavilla seuraavassa internetosoitteessa: www.rfsolutions.co.uk
- FR** - Le soussigné, RF Solutions Limited, déclare que l'équipement radioélectrique du type défini dans ce document est conforme à la directive 2014/53/UE. Le texte complet de la déclaration UE de conformité est disponible à l'adresse internet suivante: www.rfsolutions.co.uk
- HR** - RF Solutions Limited ovime izjavljuje da je radijska oprema tipa definirani u ovom dokumentu u skladu s Direktivom 2014/53/EU. Cjeloviti tekst EU izjave o sukladnosti dostupan je na sljedećoj internetskoj adresi: www.rfsolutions.co.uk
- HU** - RF Solutions Limited igazolja, hogy a dokumentumban meghatározottak szerint típusú rádióberendezés megfelel a 2014/53/EU irányelvnek. Az EU-megfelelőségi nyilatkozat teljes szövege elérhető a következő internetes címen: www.rfsolutions.co.uk
- IT** - Il fabbricante, RF Solutions Limited, dichiara che il tipo di apparecchiatura radio definita all'interno di questo documento è conforme alla direttiva 2014/53/UE. Il testo completo della dichiarazione di conformità UE è disponibile al seguente indirizzo Internet: www.rfsolutions.co.uk
- LT** - Aš, RF Solutions Limited, patvirtinu, kad radijo įrenginių tipas apibrėžta šiame dokumente atitinka Direktyvą 2014/53/ES. Visas ES atitikties deklaracijos tekstas prieinamas šiuo interneto adresu: www.rfsolutions.co.uk
- LV** - Ar šo RF Solutions Limited deklarē, ka radioiekārta kas definēts šajā dokumentā atbilst Direktīvai 2014/53/ES. Pilns ES atbilstības deklarācijas teksts ir pieejams šādā interneta vietnē: www.rfsolutions.co.uk
- MT** - B'dan, RF Solutions Limited, niddikjara li dan it-tip ta' taghmir tar-radju definit f'dan id-dokument huwa konformi mad-Direttiva 2014/53/UE. It-test kollu tad-dikjarazzjoni ta' konformita' tal-UE huwa disponibbli f'dan l-indirizz tal-Internet li ġejj: www.rfsolutions.co.uk
- NL** - Hierbij verklaar ik, RF Solutions Limited, dat het type radioapparaatuur gedefinieerd in dit document conform is met Richtlijn 2014/53/EU. De volledige tekst van de EU-conformiteitsverklaring kan worden geraadpleegd op het volgende internetadres: www.rfsolutions.co.uk
- PL** - RF Solutions Limited niniejszym oświadczam, że typ urządzenia radiowego zdefiniowanego w tym dokumencie jest zgodny z dyrektywą 2014/53/UE. Pełny tekst deklaracji zgodności UE jest dostępny pod następującym adresem internetowym: www.rfsolutions.co.uk
- PT** - O(a) abaixo assinado(a) RF Solutions Limited declara que o presente tipo de equipamento de rádio definido neste documento está em conformidade com a Diretiva 2014/53/UE. O texto integral da declaração de conformidade está disponível no seguinte endereço de Internet: www.rfsolutions.co.uk
- RO** - Prin prezenta, RF Solutions Limited declară că tipul de echipamente radio definit în acest document este în conformitate cu Directiva 2014/53/UE. Textul integral al declarației UE de conformitate este disponibil la următoarea adresă internet: www.rfsolutions.co.uk
- SK** - RF Solutions Limited týmto vyhlasuje, že rádiové zariadenie typu definované v tomto dokumente je v súlade so smernicou 2014/53/EÚ. Úplné EÚ vyhlásenie o zhode je k dispozícii na tejto internetovej adrese: www.rfsolutions.co.uk
- SL** - RF Solutions Limited potrjuje, da je tip radijske opreme opredeljeno v tem dokumentu skladen z Direktivo 2014/53/EU. Celotno besedilo izjave EU o skladnosti je na voljo na naslednjem spletnem naslovu: www.rfsolutions.co.uk
- SV** - Härmed försäkrar RF Solutions Limited att denna typ av radioutrustning definieras i detta dokument överensstämmer med direktiv 2014/53/EU. Den fullständiga texten till EU-försäkran om överensstämmelse finns på följande webbadress: www.rfsolutions.co.uk

RF Solutions Ltd. Recycling Notice

Meets the following EC Directives:

DO NOT

Discard with normal waste, please recycle.

ROHS Directive 2011/65/EU as amendment by 2015/863/EU

Specifies certain limits for hazardous substances.

WEEE Directive 2012/19/EU

Waste electrical & electronic equipment. This product must be disposed of through a licensed WEEE collection point.

RF Solutions Ltd., fulfils its WEEE obligations by membership of an approved compliance scheme.

Environment Agency Registration Number **WEE/JB0104WV**.



Disclaimer:

Whilst the information in this document is believed to be correct at the time of issue, RF Solutions Ltd does not accept any liability whatsoever for its accuracy, adequacy or completeness. No express or implied warranty or representation is given relating to the information contained in this document. RF Solutions Ltd reserves the right to make changes and improvements to the product(s) described herein without notice. Buyers and other users should determine for themselves the suitability of any such information or products for their own particular requirements or specification(s). RF Solutions Ltd shall not be liable for any loss or damage caused as a result of user's own determination of how to deploy or use RF Solutions Ltd's products. Use of RF Solutions Ltd products or components in life support and/or safety applications is not authorised except with express written approval. No licences are created, implicitly or otherwise, under any of RF Solutions Ltd's intellectual property rights. Liability for loss or damage resulting or caused by reliance on the information contained herein or from the use of the product (including liability resulting from negligence or where RF Solutions Ltd was aware of the possibility of such loss or damage arising) is excluded. This will not operate to limit or restrict RF Solutions Ltd's liability for death or personal injury resulting from its negligence.