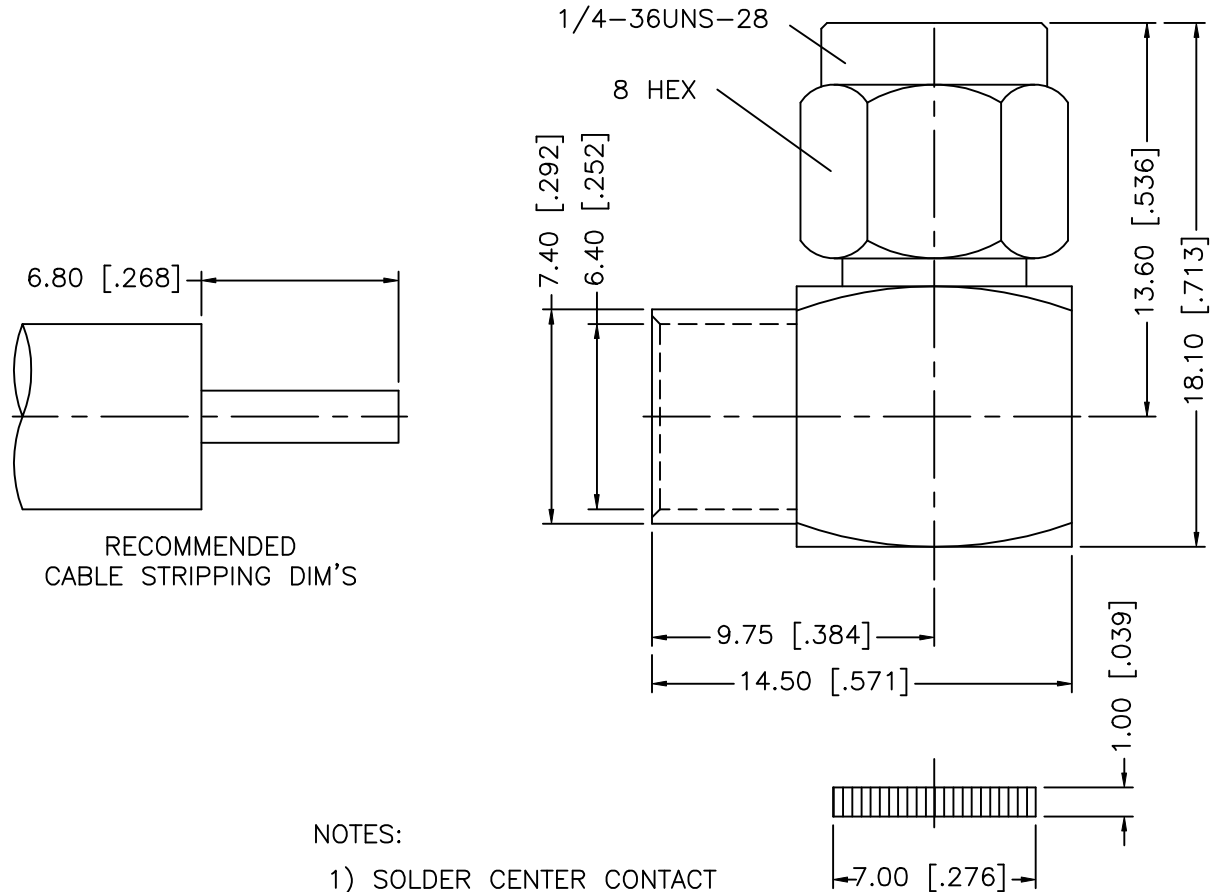


REV.	DATE	DESCRIPTION
NC	06/11/02	INITIAL RELEASE



8			
7			
6			
5			
4	COVER	BRASS	GOLD
3	CONTACT PIN	BRASS	GOLD
2	INSULATOR	TEFLON	NATURAL
1	HOUSING/BODY	BRASS	GOLD
	DESCRIPTION	MATERIAL	FINISH

UNLESS OTHERWISE SPECIFIED DIMENSIONS ARE IN MILLIMETERS
DIMENSIONS IN [] ARE IN INCHES FOR CUSTOMER REFERENCE ONLY
UNLESS OTHERWISE SPECIFIED TOLERANCES FOR INCHES ARE: .XXX = ± 0.005" .XX = ± 0.010" .X = ± 0.020"
DO NOT SCALE DRAWING

APPROVALS	DATE
DRAWN G.R.S.	06/11/02
CHECKED	
ISSUED	

Amphenol - Connex			
CONNECTOR CORPORATION			
TITLE SMA R/A DIRECT SOLDER PLUG (FOR .250" SEMI RIGID CABLE)			
SIZE A	FSCM NO. 99001	DWG. NO. 132344.DWG	REV. NC
SCALE NA	PART NO. 132344	SHEET 1 OF 1	