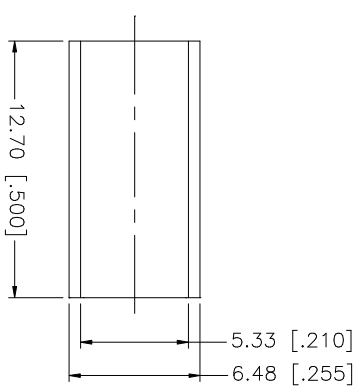
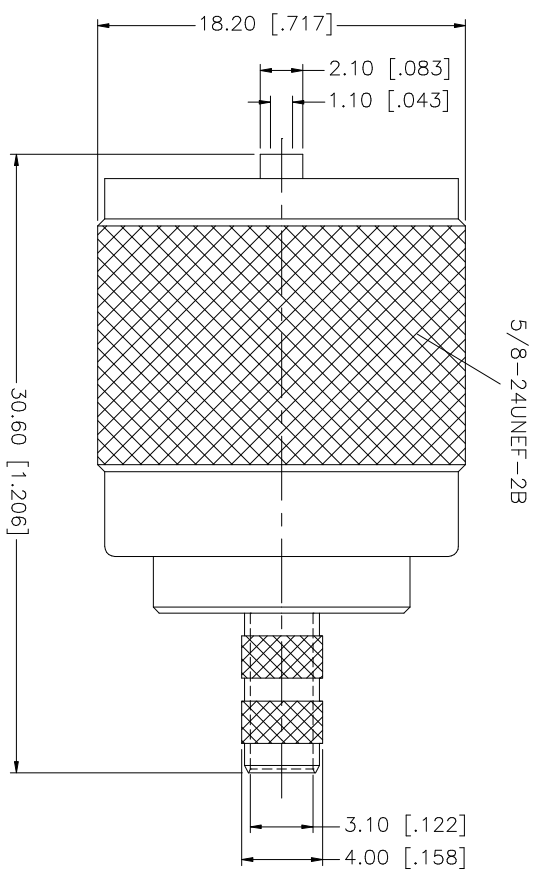
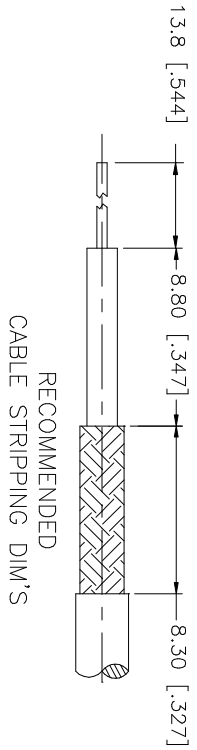


| REV. | DATE | DESCRIPTION |
|------|----------|----------------------------------|
| A | 02/27/01 | ADD CABLE DESCRIPTION |
| B | 07/29/02 | MODIFY PART SIZE AND DESCRIPTION |
| C | 01/17/06 | UPDATE DRAWING FORMAT |



| QTY | DESCRIPTION | MATERIAL | FINISH | QTY | UNLESS OTHERWISE SPECIFIED DIMENSIONS ARE IN INCHES AND FOR CUSTOMER REFERENCE ONLY. | UNLESS OTHERWISE SPECIFIED TOLERANCES FOR MILLIMETERS ARE: | UNLESS OTHERWISE SPECIFIED TOLERANCES FOR INCHES ARE: | APPROVALS | DATE | PART DESCRIPTION | | | | |
|-----|------------------|--------------|----------------|-----|--|--|--|----------------------|-------------------|------------------|--|------------|------|---|
| 1 | 8 FERRULE | COPPER | NICKEL | 1 | UNLESS OTHERWISE SPECIFIED DIMENSIONS ARE IN INCHES AND FOR CUSTOMER REFERENCE ONLY. UNLESS OTHERWISE SPECIFIED TOLERANCES FOR MILLIMETERS ARE: 0.5 - 8mm ± 0.20mm 8 - 30mm ± 0.40mm 30 - 120mm ± 0.50mm UNLESS OTHERWISE SPECIFIED TOLERANCES FOR INCHES ARE: .020 - .315 = ± 0.007" .315 - 1.180 = ± 0.015" 1.180 - 4.724 = ± 0.020" | UNLESS OTHERWISE SPECIFIED TOLERANCES FOR MILLIMETERS ARE: 0.5 - 8mm ± 0.20mm 8 - 30mm ± 0.40mm 30 - 120mm ± 0.50mm | UNLESS OTHERWISE SPECIFIED TOLERANCES FOR INCHES ARE: .020 - .315 = ± 0.007" .315 - 1.180 = ± 0.015" 1.180 - 4.724 = ± 0.020" | DRAWN | G.R.S. | 01/17/06 | Amphenol Connex UHF CRIMP PLUG (FOR RG-142/U CABLE) 182310 | | | |
| 1 | 7 HEX NUT | BRASS | NICKEL | 1 | | | | CHECKED | | | | | | |
| 1 | 6 WASHER | BRASS | NICKEL | 1 | | | | ISSUED | | | | | | |
| 1 | 4 GASKET | SILICONE | RED | 1 | | | | SHEET | 1 OF 1 | | | | | |
| 1 | 3 CONTACT PIN | BER. COPPER | GOLD | 1 | | | | | | | | | | |
| 1 | 2 INSULATOR BODY | TEFLON BRASS | NATURAL NICKEL | 1 | | | | | | | | | | |
| 1 | DESCRIPTION | MATERIAL | FINISH | QTY | | | | DO NOT SCALE DRAWING | | | | | | |
| | | | | | | | | CAD FILE | C:/182/182310.DWG | DWG. NO. | | 182310.DWG | REV. | C |