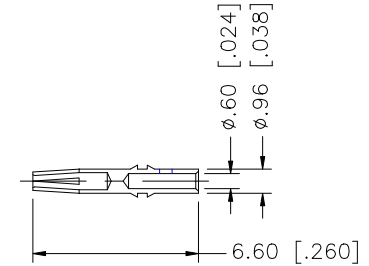
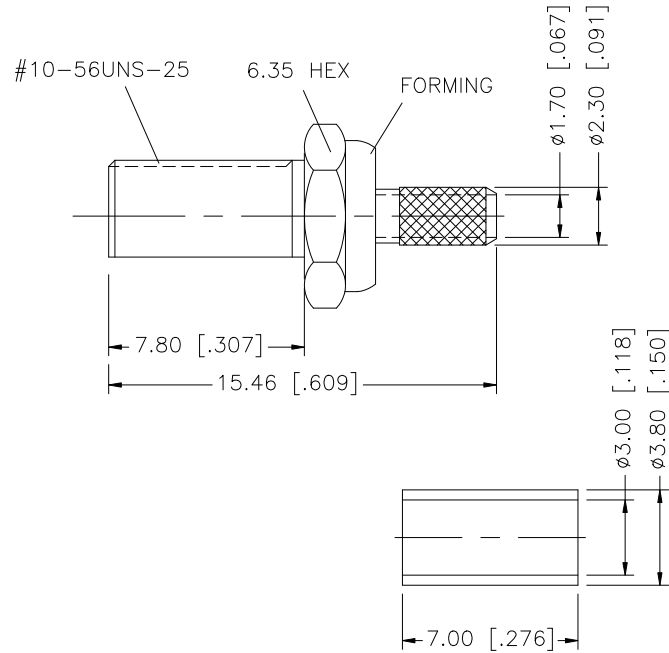
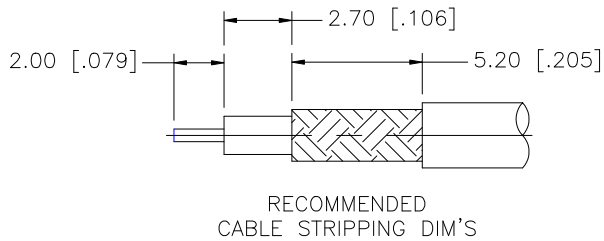
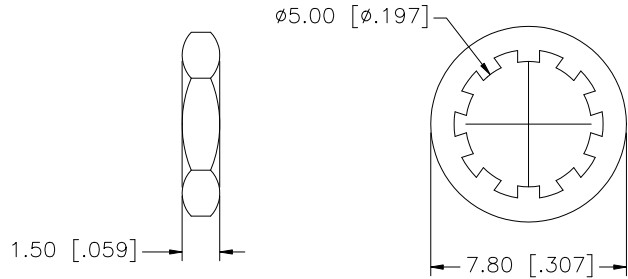
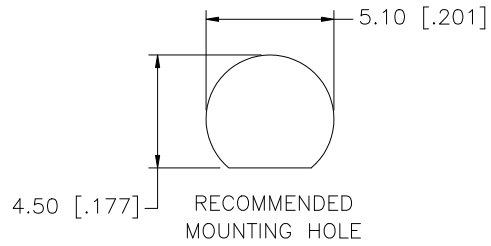


| REV. | DATE     | DESCRIPTION           |
|------|----------|-----------------------|
| NC   | 01/21/01 | INITIAL RELEASE       |
| A    | 07/08/07 | UPDATE DRAWING FORMAT |



CRIMP NOTES:

1. CRIMPED FERRULE HEX CRIMP SIZE .128"
2. CONTACT PIN TO SOLDER
3. MAX. PANEL THICKNESS = 6.8mm

| QTY | DESCRIPTION | MATERIAL    | FINISH  | QTY |
|-----|-------------|-------------|---------|-----|
| 1   | BODY        | BRASS       | GOLD    | 1   |
| 2   | INSULATOR   | TEFLON      | NATURAL | 2   |
| 3   | BARREL      | BRASS       | GOLD    | 1   |
| 4   | CONTACT PIN | BER. COPPER | GOLD    | 1   |
| 5   | LOCK WASHER | BRASS       | GOLD    | 1   |
| 6   | HEX NUT     | BRASS       | GOLD    | 1   |
| 7   | FERRULE     | COPPER      | GOLD    | 1   |
| 8   |             |             |         |     |

UNLESS OTHERWISE SPECIFIED DIMENSIONS ARE IN MILLIMETERS. DIMENSIONS IN [ ] ARE IN INCHES AND FOR CUSTOMER REFERENCE ONLY.

UNLESS OTHERWISE SPECIFIED TOLERANCES FOR MILLIMETERS ARE:  
0.5 - 8mm ± 0.20mm  
8 - 30mm ± 0.40mm  
30 - 120mm ± 0.50mm

UNLESS OTHERWISE SPECIFIED TOLERANCES FOR INCHES ARE:  
.020 - .315 = ± 0.007"  
.315 - 1.180 = ± 0.015"  
1.180 - 4.724 = ± 0.020"

DO NOT SCALE DRAWING

| APPROVALS    | DATE              |
|--------------|-------------------|
| DRAWN G.R.S. | 07/08/07          |
| CHECKED      |                   |
| ISSUED       |                   |
| SHEET 1 OF 1 |                   |
| CAD FILE     | C:/252/252145.DWG |

**Amphenol Connex**

PART DESCRIPTION  
**MCX BULKHEAD CRIMP JACK  
(FOR RG-174/U, 188A/U, 316/U)**

PART NO.  
**252145**

|          |            |      |   |      |   |       |    |
|----------|------------|------|---|------|---|-------|----|
| DWG. NO. | 252145.DWG | REV. | A | SIZE | A | SCALE | NA |
|----------|------------|------|---|------|---|-------|----|