

1

2

3

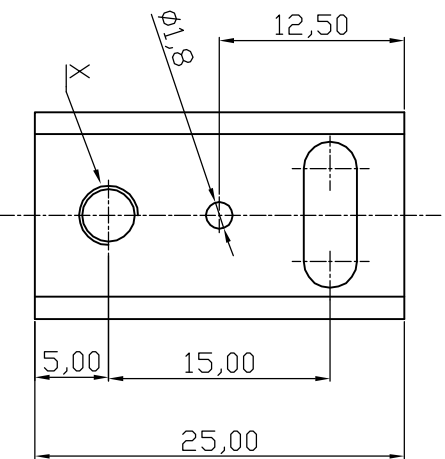
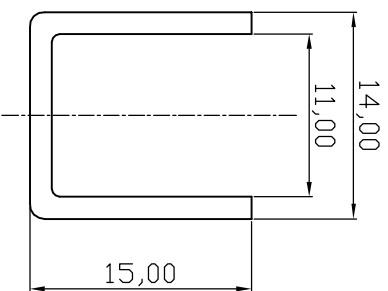
4

5

6

7

**RoHS compliant**



Option	Dimension x	Version	Thermal resistance
V5074B-T	M3,0	Black anodized	20

Notes  
Material: AL1050 T=1.5mm

Scale 1:1

TOLERANCE	
UNIT	±0,25

Customer-No.	Conrad P/N : 183872	
Approved	12.10.2010	Plate
Drawn	12.10.2009	Schulz
Modify P/N	12.10.2010	Dean
Drawn	12.10.2009	Schulz
Id.	Modification	Date



Drawing-No.	ASS 0421 HS	rev02
Replace		Sheet
Customer-No.	ASSMANN WSW-No.	V5074B-T

1

2

3

4

5

6

7

H

G

F

E

D

C

B

A

H

G

F

E

D

C

B

A