

1-166569-0 ✓ ACTIVE

EUROCARD

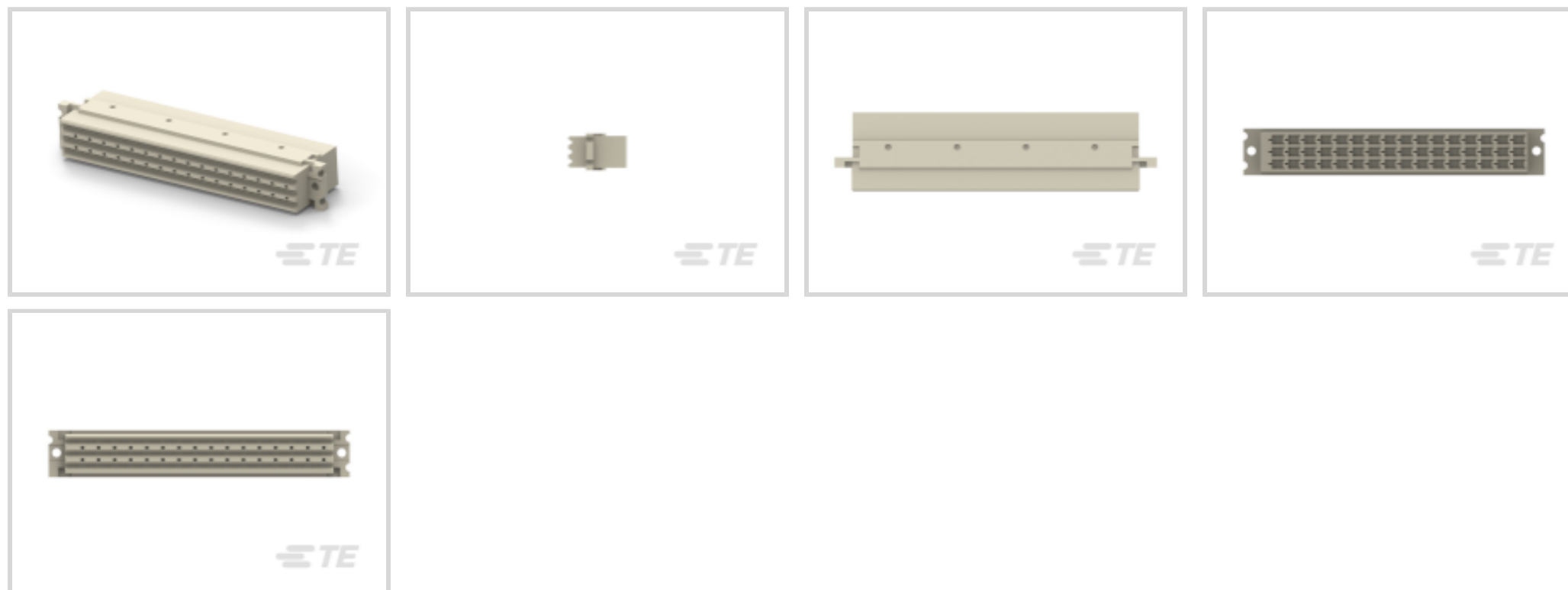
TE Internal #: 1-166569-0

Backplane Connector Housings, Wire-to-Board, 48 Position, 2.54 mm [.1in] Centerline, Mating Alignment, Keyed Mating Alignment Type

[View on TE.com >](#)



Connectors > PCB Connectors > Backplane Connectors > Backplane Connector Housings



Connector System: **Wire-to-Board**

Number of Positions: **48**

Centerline (Pitch): **2.54 mm [.1 in]**

Mating Alignment: **With**

Mating Alignment Type: **Keyed**

Features

Product Type Features

Connector System	Wire-to-Board
Connector & Housing Type	Receptacle
Connector & Contact Terminates To	Wire & Cable

Configuration Features

PCB Mount Orientation	Vertical
Number of Positions	48
Number of Rows	3
Number of Columns	16

Body Features

Drawer Style	Snap-Fit
--------------	----------

Contact Features

Contact Type	Socket
--------------	--------

Mechanical Attachment



Mating Retention	Without
Mating Alignment	With
Mating Alignment Type	Keyed

Housing Features

Housing Material	Noryl
Housing Color	Gray
Centerline (Pitch)	2.54 mm[.1 in]

Dimensions

Connector Length	90 mm
Row-to-Row Spacing	4.3 mm[1.7 in]

Industry Standards

UL Flammability Rating	UL 94V-0
------------------------	----------

Packaging Features

Packaging Method	Tray
------------------	------

Product Compliance

[For compliance documentation, visit the product page on TE.com>](#)

EU RoHS Directive 2011/65/EU	Compliant
EU ELV Directive 2000/53/EC	Compliant
China RoHS 2 Directive MIIT Order No 32, 2016	No Restricted Materials Above Threshold
EU REACH Regulation (EC) No. 1907/2006	Current ECHA Candidate List: JAN 2021 (211) Candidate List Declared Against: JAN 2021 (211) Does not contain REACH SVHC
Halogen Content	Not Low Halogen - contains Br or Cl > 900 ppm.
Solder Process Capability	Not applicable for solder process capability

Product Compliance Disclaimer

This information is provided based on reasonable inquiry of our suppliers and represents our current actual knowledge based on the information they provided. This information is subject to change. The part numbers that TE has identified as EU RoHS compliant have a maximum concentration of 0.1% by weight in homogenous materials for lead, hexavalent chromium, mercury, PBB, PBDE, DBP, BBP, DEHP, DIBP, and 0.01% for cadmium, or qualify for an exemption to these limits as defined in the Annexes of Directive 2011/65/EU (RoHS2). Finished electrical and electronic equipment products will be CE marked as required by Directive 2011/65/EU. Components may not be CE marked. Additionally, the part numbers that TE has identified as EU ELV compliant have a maximum concentration of 0.1% by weight in homogenous materials for lead, hexavalent chromium, and mercury, and 0.01% for cadmium, or qualify for an exemption to these limits as defined in the Annexes of Directive 2000/53/EC (ELV). Regarding the REACH Regulation, the information TE provides

on SVHC in articles for this part number is based on the latest European Chemicals Agency (ECHA) 'Guidance on requirements for substances in articles' posted at this URL: <https://echa.europa.eu/guidance-documents/guidance-on-reach>

Compatible Parts



Customers Also Bought



Documents

Product Drawings
IEC FEMALE HSG.ASSY
English



CAD Files

3D PDF

3D

Customer View Model

[ENG_CVM_CVM_1-166569-0_E.2d_dxf.zip](#)

English

Customer View Model

[ENG_CVM_CVM_1-166569-0_E.3d_igs.zip](#)

English

Customer View Model

[ENG_CVM_CVM_1-166569-0_E.3d_stp.zip](#)

English

By downloading the CAD file I accept and agree to the [Terms and Conditions](#) of use.