

ALPHA 630 DIN Support, long Minimum order quantity 100 units



Model

| | |
|--------------------|-------|
| product brand name | ALPHA |
|--------------------|-------|

Mechanical Design

| | |
|------------|--------|
| net weight | 18.8 g |
|------------|--------|

| | | |
|---------------------------------|----------------------------------|--------------------------|
| General Product Approval | Declaration of Conformity | Test Certificates |
|---------------------------------|----------------------------------|--------------------------|

[Confirmation](#)



[Miscellaneous](#)



[Special Test Certificate](#)

| | |
|--------------|--------------------|
| other | Environment |
|--------------|--------------------|

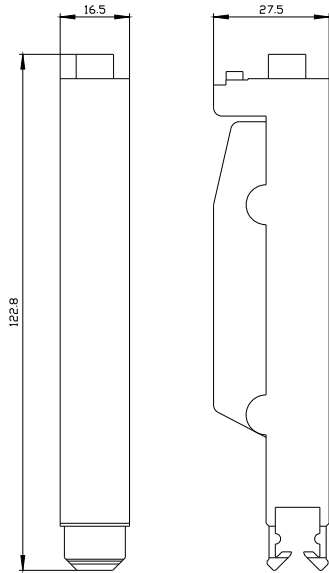
[Miscellaneous](#)

[Confirmation](#)

[Environmental Confirmations](#)

Further information

Siemens has decided to exit the Russian market (see here).
<https://press.siemens.com/global/en/pressrelease/siemens-wind-down-russian-business>
 Siemens is working on the renewal of the current EAC certificates.
 Please contact your local Siemens office on the status of validity of the EAC certification if you intend to import or offer to supply these products to an EAC relevant market (other than the sanctioned EAEU member states Russia or Belarus).
Information on the packaging
<https://support.industry.siemens.com/cs/ww/en/view/109813875>
Information- and Downloadcenter (Catalogs, Brochures,...)
<http://www.siemens.com/lowvoltage/catalogs>
Industry Mall (Online ordering system)
<https://mall.industry.siemens.com/mall/en/en/Catalog/product?mlfb=8GK9910-0KK31>
Service&Support (Manuals, Certificates, Characteristics, FAQs,...)
<https://support.industry.siemens.com/cs/ww/en/ps/8GK9910-0KK31>
Image database (product images, 2D dimension drawings, 3D models, device circuit diagrams, ...)
http://www.automation.siemens.com/bilddb/cax_en.aspx?mlfb=8GK9910-0KK31
CAX-Online-Generator
<http://www.siemens.com/cax>
Tender specifications
<http://www.siemens.com/specifications>



last modified:

12/19/2020 

