

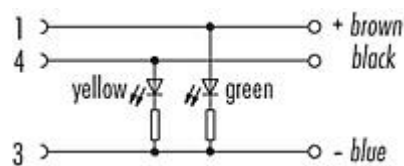
Product description M12-A Male angled connector, Contacts: 3, unshielded, moulded cable, IP68/IP69K, UL, PVC grey, 3 x 0.34 mm<sup>2</sup>, with LED PNP normally open, 10 m

Area M12-A series 763  
Part no. 77 3627 0000 20003-1000

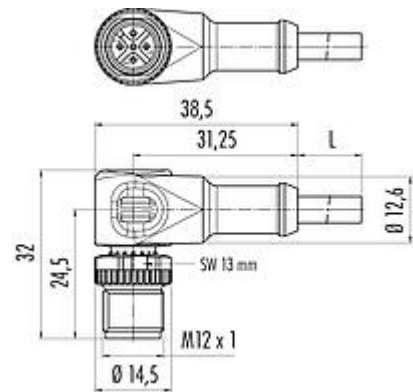
### Illustration



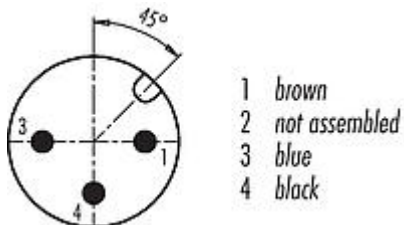
### Pin assignment plans



### Scale drawing



### Contact arrangement (Plug-in side)



### Technical data

#### General features

Part no.	<b>77 3627 0000 20003-1000</b>
Connector design	Male angled connector
Cable length	10 m
Version	male angled
Connector locking system	screw
Termination	moulded cable
Degree of protection	IP68/IP69K
Cross-sectional area	0.34 mm <sup>2</sup> / AWG 22
Temperature range from/to	-25 °C / 90 °C
Mechanical operation	> 100 Mating cycles
Additional information	with LED PNP normally open

# Product data sheet

## Automation technology - sensors and actuators



Product description M12-A Male angled connector, Contacts: 3, unshielded, moulded cable, IP68/IP69K, UL, PVC grey, 3 x 0.34 mm<sup>2</sup>, with LED PNP normally open, 10 m

Area M12-A series 763  
Part no. 77 3627 0000 20003-1000

Weight (g) 73.00  
Customs tariff number 85444290

### Electrical parameters

Rated voltage 10 - 30 V  
Rated impulse voltage 500 V  
Rated current (40 °C) 4,0 A  
Insulation resistance  $\geq 10^{10} \Omega$   
Pollution degree 3  
Overvoltage category II  
Insulating material group II  
EMC compliance unshielded

### Material

Housing material PUR  
Contact body material PUR  
Contact material CuZn (brass)  
Contact plating Au (gold)  
Locking material Zinc die-cast nickel-plated  
REACH SVHC None (No pollutants)  
SCIP number SCIP-number not available

### Authorization/approvals

Approvals UL

### Classifications

eCl@ss 11.1 27-06-03-11  
ETIM 7.0 EC001855

### Declarations of conformity

RoHS Directive 2011/65/EU (EN 50581:2012)

### Cable data - Structure of the cable

Cable diameter 4.5 mm  
Cross section 3 x 0.34 mm<sup>2</sup>  
Sheath material PVC  
Single-lead insulation PVC  
Single-lead structure 42 x 0.10 mm

Product description M12-A Male angled connector, Contacts: 3, unshielded, moulded cable, IP68/IP69K, UL, PVC grey, 3 x 0.34 mm<sup>2</sup>, with LED PNP normally open, 10 m

Area M12-A series 763  
Part no. 77 3627 0000 20003-1000

Cable color grey

### Cable data - Electrical properties

Conductor resistance 57 Ω/Km (20°C)

### Cable data - Mechanical properties

Bending radius, fixed cable	≥ 5 x Ø
Bending radius, moving cable	≥ 10 x Ø
Bending cycles	>2 million
Permitted acceleration	max. 5 m/s <sup>2</sup> + 1 m/s <sup>2</sup>
Travel distance, horizontal	5 m/s <sup>2</sup> -> 5 m
Travel distance, vertical	5 m/s <sup>2</sup> -> 5 m
Travel speed	≤ 200 m/min (5 m horizontal distance)

### Cable data - Thermal properties

Temperature range cable in move from/to	-5 °C / 105 °C
Temperature range cable fixed from/to	-40 °C / 105 °C

### Cable data - Other features

Halogen free No

Product description	<b>M12-A Male angled connector, Contacts: 3, unshielded, moulded cable, IP68/IP69K, UL, PVC grey, 3 x 0.34 mm<sup>2</sup>, with LED PNP normally open, 10 m</b>
Area	<b>M12-A series 763</b>
Part no.	<b>77 3627 0000 20003-1000</b>

### **General Disclaim Notice**

The connector must not be plugged or unplugged under load. Non-observance and improper use can result in personal injury.

The connectors have been developed for applications in plant engineering, control and electrical equipment construction. The user is responsible for checking whether the connectors can also be used in other areas of application.

The user must take suitable safety precautions to ensure that the connector cannot be accidentally disconnected.

Plug connectors with enclosure protection IP 67 and IP 68 are not suitable for use under water. For further information on the IP protection classes, please refer to the "Technical Information" download centre.

To lock the cable connector with the device connector, the threaded ring is tightened "hand-tight" (approx. 60 cNm).