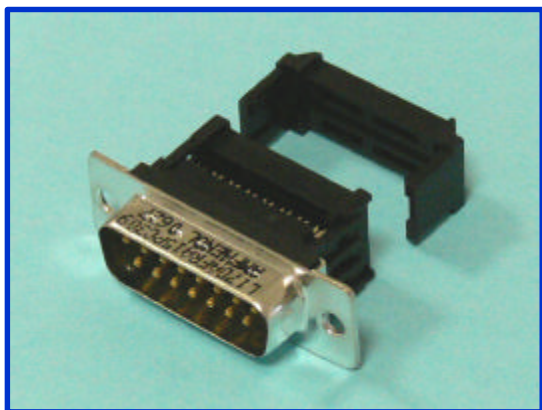


Plug Flat Ribbon IDC



Specifications :

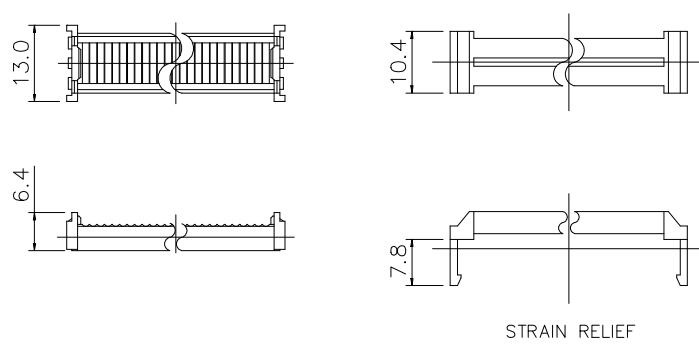
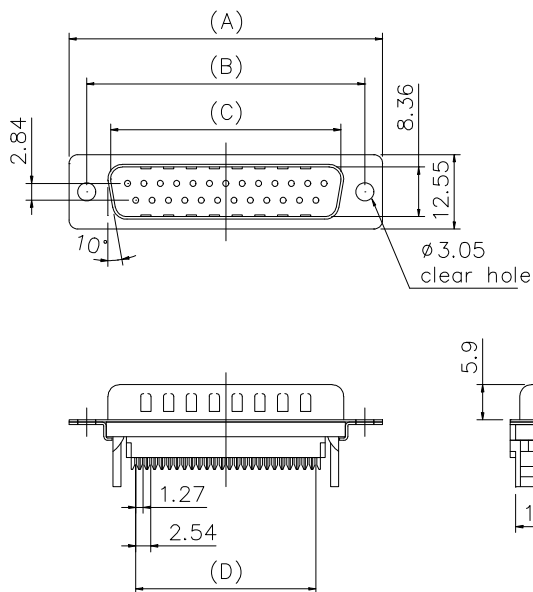
Contact Resistance : 20 m Ω Max
 Insulator Resistance : 1000 M Ω Min at 500V DC
 Current Rating: 5A
 Dielectric Withstanding Voltage : 1000V AC for 1 minute
 Operating Temperature : -55 $^{\circ}$ C to +105 $^{\circ}$ C

Materials :

Contact : Brass
 Housing : Glass-filled thermoplastic, UL94V-0
 Shell : Steel, Tin plated

Dimensions :

Nb of Contacts	A	B	C	D
9	30,89	24,99	16,92	10,16
15	39,10	33,32	25,25	17,78
25	53,09	47,04	38,96	30,48
37	69,40	63,50	55,42	45,72

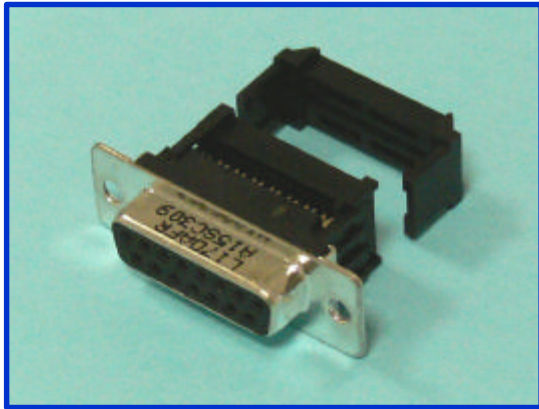


Part Numbers :

Nb of Contacts	Performance Level 3 (flash Gold)	Performance Level 2 (0,38 μ m Gold)	Performance Level 1 (0,76 μ m Gold)
9	L17DEFRA09P	L117DEFRA09P	L17DEFRA09PC309
15	L17DAFRA15P	L117DAFRA15P	L17DAFRA15PC309
25	L17DBFRA25P	L117DBFRA25P	L17DBFRA25PC309
37	L17DCFRA37P	L117DCFRA37P	L17DCFRA37PC309

Performance levels as per DIN 41 652/IEC 807-3

Receptacle Flat Ribbon IDC



Specifications :

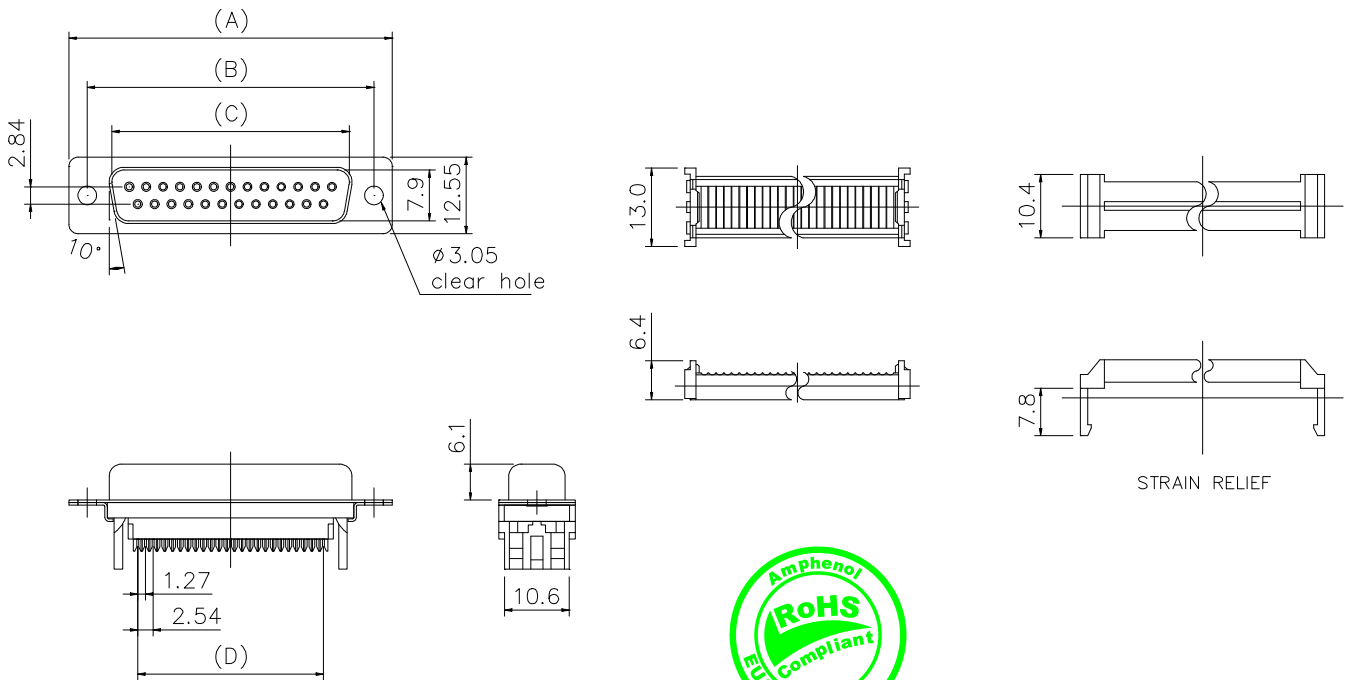
- Contact Resistance : 20 m Ω Max
- Insulator Resistance : 1000 M Ω Min at 500V DC
- Current Rating: 5A
- Dielectric Withstanding Voltage : 1000V AC for 1 minute
- Operating Temperature : -55 $^{\circ}$ c to +105 $^{\circ}$ c

Materials :

- Contact : Bronze
- Housing : Glass-filled thermoplastic, UL94V-0
- Shell : Steel, Tin plated

Dimensions :

Nb of Contacts	A	B	C	D
9	30,89	24,99	16,33	10,16
15	39,10	33,32	24,66	17,78
25	53,09	47,04	38,38	30,48
37	69,40	63,50	54,84	45,72



Part Numbers :

Nb of Contacts	Performance Level 3 (flash Gold)	Performance Level 2 (0,38 μ m Gold)	Performance Level 1 (0,76 μ m Gold)
9	L17DEFRA09S	L117DEFRA09S	L17DEFRA09SC309
15	L17DAFRA15S	L117DAFRA15S	L17DAFRA15SC309
25	L17DBFRA25S	L117DBFRA25S	L17DBFRA25SC309
37	L17DCFRA37S	L117DCFRA37S	L17DCFRA37SC309

Performance levels as per DIN 41 652/IEC 807-3