

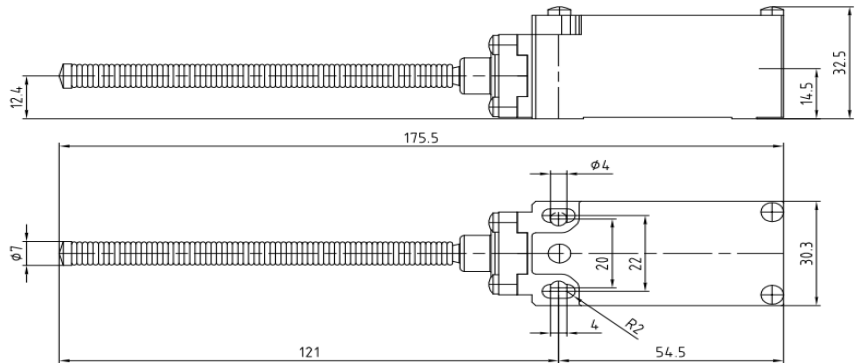
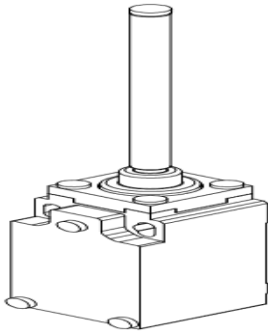


# Datasheet

ENGLISH

## Limit Switch

RS Stock number 902-6903



### Description:

- Double insulation, Plastic casing IP65, 30mm width
- 1 cable inlet for M20x1.5 cable gland
- Stainless steel spring multidirectional actuator
- Z11: Snap action contacts (1NO+1NC)

### Specification:

| Standards                                                     |                  |                            | Metal Casing                                                                                                                                                                                                                                              |  |    |          |                            |    |                           |    |                             |
|---------------------------------------------------------------|------------------|----------------------------|-----------------------------------------------------------------------------------------------------------------------------------------------------------------------------------------------------------------------------------------------------------|--|----|----------|----------------------------|----|---------------------------|----|-----------------------------|
| Certifications - Approvals                                    |                  |                            | Devices conform with international IEC 947-5-1 and European EN 60 947-5-1 standards                                                                                                                                                                       |  |    |          |                            |    |                           |    |                             |
| Air temperature near the device                               |                  |                            | UL - CSA - IMQ                                                                                                                                                                                                                                            |  |    |          |                            |    |                           |    |                             |
| - during operation                                            | °C               |                            | - 25 ... + 70                                                                                                                                                                                                                                             |  |    |          |                            |    |                           |    |                             |
| - for storage                                                 | °C               |                            | - 30 ... + 80                                                                                                                                                                                                                                             |  |    |          |                            |    |                           |    |                             |
| Protection against electrical shocks (according to IEC 536)   |                  |                            | Class I                                                                                                                                                                                                                                                   |  |    |          |                            |    |                           |    |                             |
| Degree of protection (according to IEC 529 and EN 60 529)     |                  |                            | IP 66**                                                                                                                                                                                                                                                   |  |    |          |                            |    |                           |    |                             |
| Rated insulation voltage $U_i$                                |                  |                            | 500 V (degree of pollution 3) (400 V for contacts type X12P, X21P, W03P) A 300, Q 300                                                                                                                                                                     |  |    |          |                            |    |                           |    |                             |
| - according to IEC 947-1 and EN 60-947-1                      |                  |                            |                                                                                                                                                                                                                                                           |  |    |          |                            |    |                           |    |                             |
| - according to UL 508 and CSA C22-2 n° 14                     |                  |                            |                                                                                                                                                                                                                                                           |  |    |          |                            |    |                           |    |                             |
| Rated impulse withstand voltage $U_{imp}$                     |                  |                            | 6                                                                                                                                                                                                                                                         |  |    |          |                            |    |                           |    |                             |
| (according to IEC 947-1 and EN 60 947-1)                      |                  |                            |                                                                                                                                                                                                                                                           |  |    |          |                            |    |                           |    |                             |
| Conventional free air thermal current $I_{th}$                |                  |                            | 10                                                                                                                                                                                                                                                        |  |    |          |                            |    |                           |    |                             |
| (according to IEC 947-5-1 and EN 60 947-5-1) $\theta < 40$ °C |                  |                            |                                                                                                                                                                                                                                                           |  |    |          |                            |    |                           |    |                             |
| Short-circuit protection                                      |                  |                            | 10                                                                                                                                                                                                                                                        |  |    |          |                            |    |                           |    |                             |
| $U_e < 500$ V a.c. - gG (gl) type fuses                       |                  |                            |                                                                                                                                                                                                                                                           |  |    |          |                            |    |                           |    |                             |
| Rated operational current                                     |                  |                            |                                                                                                                                                                                                                                                           |  |    |          |                            |    |                           |    |                             |
| $I_e$ / AC-15 (according to IEC 947-5-1)                      | 24 V - 50/60 Hz  | A                          | 10                                                                                                                                                                                                                                                        |  |    |          |                            |    |                           |    |                             |
|                                                               | 120 V - 50/60 Hz | A                          | 6                                                                                                                                                                                                                                                         |  |    |          |                            |    |                           |    |                             |
|                                                               | 230 V - 50/60 Hz | A                          | 3.1                                                                                                                                                                                                                                                       |  |    |          |                            |    |                           |    |                             |
|                                                               | 240 V - 50/60 Hz | A                          | 3                                                                                                                                                                                                                                                         |  |    |          |                            |    |                           |    |                             |
|                                                               | 400 V - 50/60 Hz | A                          | 1.8                                                                                                                                                                                                                                                       |  |    |          |                            |    |                           |    |                             |
| $I_e$ / DC-13 (according to IEC 947-5-1)                      | 24 V - d.c.      | A                          | 2.8                                                                                                                                                                                                                                                       |  |    |          |                            |    |                           |    |                             |
|                                                               | 125 V - d.c.     | A                          | 0.55                                                                                                                                                                                                                                                      |  |    |          |                            |    |                           |    |                             |
|                                                               | 250 V - d.c.     | A                          | 0.27                                                                                                                                                                                                                                                      |  |    |          |                            |    |                           |    |                             |
| Switching frequency                                           |                  |                            | 3600                                                                                                                                                                                                                                                      |  |    |          |                            |    |                           |    |                             |
| Load factor                                                   |                  |                            | 0.5                                                                                                                                                                                                                                                       |  |    |          |                            |    |                           |    |                             |
| Resistance between contacts                                   |                  |                            | < 25                                                                                                                                                                                                                                                      |  |    |          |                            |    |                           |    |                             |
| Connecting terminals                                          |                  |                            | M3.5 (+, -) pozidriv 2 screw with cable clamp (M3 for 3 poles contacts type)                                                                                                                                                                              |  |    |          |                            |    |                           |    |                             |
| Terminal for protective conductor                             |                  |                            | M3.5 (+, -) pozidriv 2 screw with cable clamp                                                                                                                                                                                                             |  |    |          |                            |    |                           |    |                             |
| Connecting capacity                                           |                  |                            | 0.75 ... 2.5 (0.34... 1.5 for 3 poles contacts type)                                                                                                                                                                                                      |  |    |          |                            |    |                           |    |                             |
| Terminal marking                                              |                  |                            | According to EN 50 013                                                                                                                                                                                                                                    |  |    |          |                            |    |                           |    |                             |
| Mechanical durability                                         |                  |                            | <table border="0"> <tr> <td>15</td> <td rowspan="3">} AM•F/T</td> <td rowspan="3">[ 11...12; 21; 30...34; 38</td> </tr> <tr> <td>10</td> <td>41...46; 51...55; 61...75</td> </tr> <tr> <td>&gt;5</td> <td>14; 35; 36; 39; 91...93; 98</td> </tr> </table> |  | 15 | } AM•F/T | [ 11...12; 21; 30...34; 38 | 10 | 41...46; 51...55; 61...75 | >5 | 14; 35; 36; 39; 91...93; 98 |
| 15                                                            | } AM•F/T         | [ 11...12; 21; 30...34; 38 |                                                                                                                                                                                                                                                           |  |    |          |                            |    |                           |    |                             |
| 10                                                            |                  |                            | 41...46; 51...55; 61...75                                                                                                                                                                                                                                 |  |    |          |                            |    |                           |    |                             |
| >5                                                            |                  |                            | 14; 35; 36; 39; 91...93; 98                                                                                                                                                                                                                               |  |    |          |                            |    |                           |    |                             |

\*\* AM•F/T52 - 5200 - 55 - 5500 - 73 - 74: PROTECTION DEGREE IP65. - For the complete list of approved products contact our technical department.

IMQ listed values