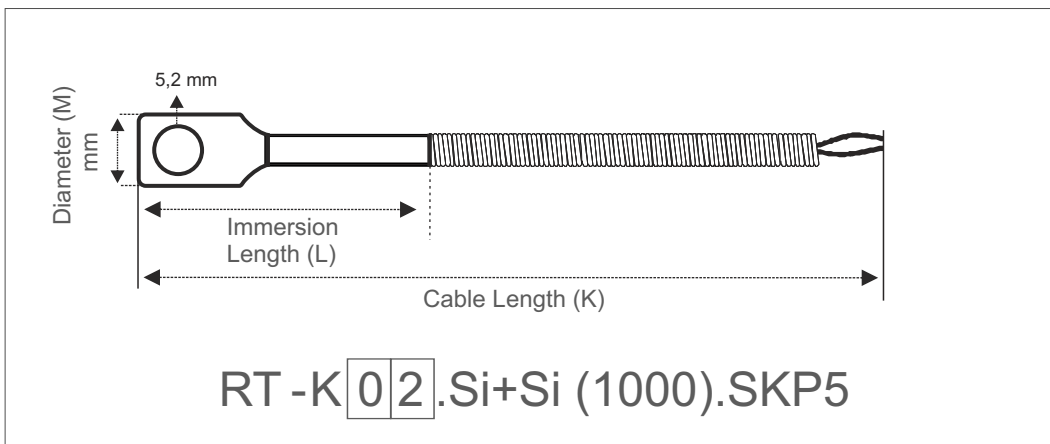


► (RTSKP5) Bayonet Type with Cable Lug
RT-K02 Si+Si.(1000).SKP5

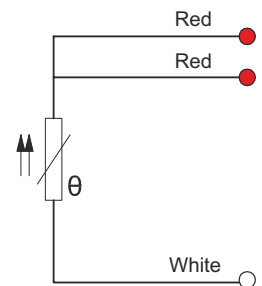


Max. operating temperature : -50 °C / +200 °C
Standard cable types : Silicone + Silicone
Standard cable length (K) : 2m
Sensor type : DIN/EN60751 Class "B" 1xPT-1000

► Technical drawing



PT-1000 Connections



Diameter (M) : 9,4 mm
Immersion Length (L) : 26 mm
Cable Length (K) : 2 meter