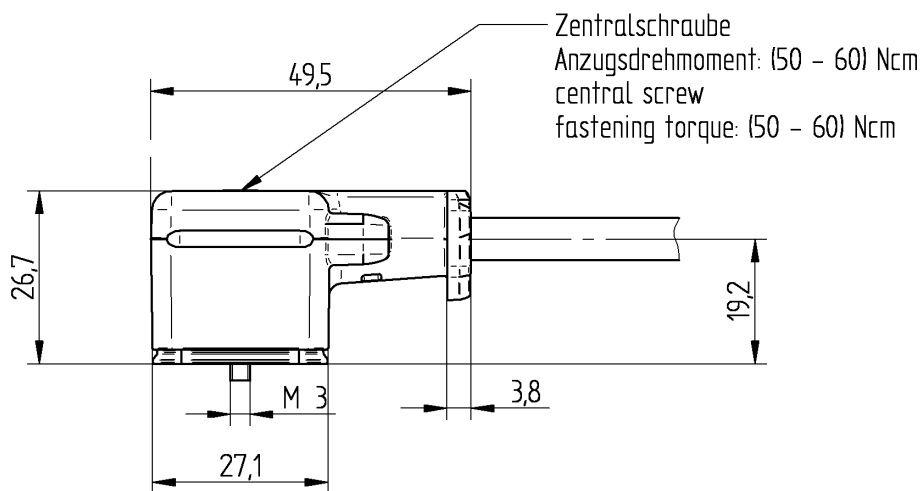
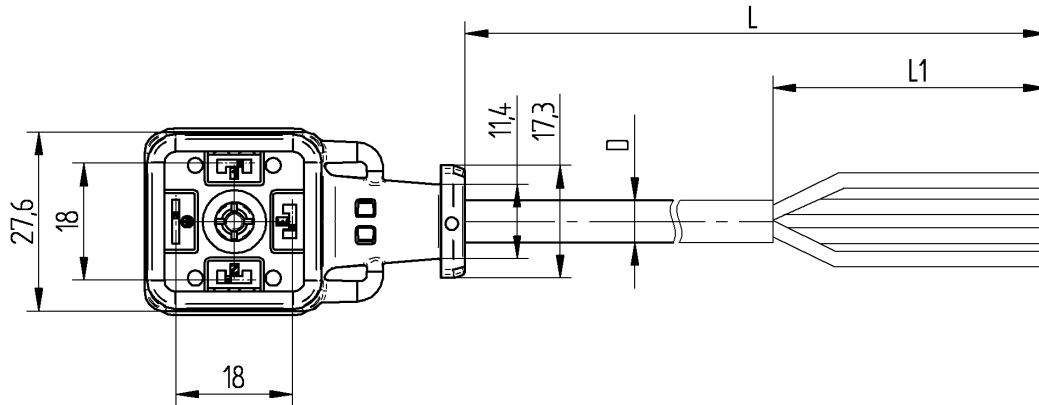
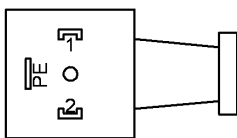


RoHS ✓

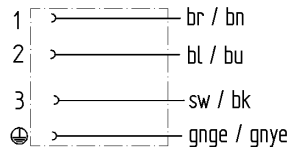
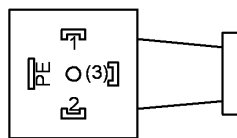


Kontaktträger
Contact bearer

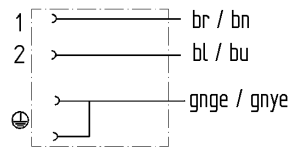
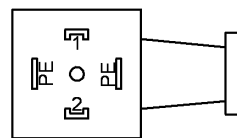
GAN21...
2 + PE



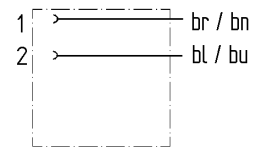
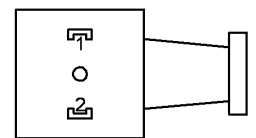
GAN31...
3 + PE



GAN22...
2 + 2 PE



GAN20...
2 no PE



The information/details in this datasheet merely contain general descriptions or performance factors which, when applied in an actual situation, do not always correspond with the described form, and may be amended by way of the further development of products. The desired performance factors shall only be binding if these are expressly agreed on conclusion of the contract.



Product description

Description	molded cable socket
Type	GAN..., see standard products
Order No	934-889-..., see standard products
Type of contacts	female
Number of contacts	2, 3, 4 , see standard products
Standard	DIN EN 175301-803-A
Construction type	A
Color housing	grey translucent

example produktcode:

GAN22LU-D24-2120200

				cable lenght in cm (4-digits): 0200 cm
				cable type (3.digits): STL 212
				marking for nominal voltage 12V to 230V
				Circuit (2-digits): D2...
				Variants:
				A0: withiut PCB
				C3: bridge rectifier and capacitor
				C4: bridge rectifier, capacitor and LED (YE)
				D1: recovery diode
				D2: recovery diode with LED (YE)
				D3: bridge rectifier
				D4: bridge rectifier with LED (YE)
				L1: LED (YE) PIN 1 to PIN 2
				L2: LED (YE) PIN 1 to PIN 2 and PIN 3 to PIN 2
				P1: pressure switsch LED: red/green, see circuits
				P2: pressure switsch LED: red/green, see circuits
				S1: TVS diode
				S2: TVS diode with LED (YE)
				S3: bridge rectifier with TVS diode
				S4: bridge rectifier with TVS diode and LED (YE)
				V1: VDR
				V2 VDR and LED (YE)
				V3 bridge rectifier, VDR
				V4 bridge rectifier, VDR and LED (YE)

pin assignment: GAN22: 2 + 2PE

Variants:

- GAN20...: 2 without PE
- GAN21...: 2 + PE
- GAN22...: 2 + 2xPE
- GAN31...: 3 + PE

Description of wiring

Function indicator	standard: LED yellow *
Voltage rectifier	full bridge rectifier, see standard products
Protective circuit	recovery diode, Varistor (VDR), Suppressor (TVS) diode
Overview voltage ranges:	
nominal voltage / max. voltage	
12 V / 15 V	
24 V / 30 V	
48 V / 60 V	
120 V / 150 V	
230 V / 250 V	

Overview nominal voltage and protective circuit

- 12 V : Suppressordiode, Breakdownvoltage: 36 V
- 24 V : Suppressordiode, Breakdownvoltage: 36 V
- 24 V : Varistor, Varistor voltage: 47 V
- 48 V : Varistor, Varistor voltage: 100 V
- 120 V : Varistor, Varistor voltage: 240 V
- 230 V : Varistor, Varistor voltage: 470 V
- 230 V :recovery diode ca. 1,2 V

* different LED-color on request

Technical data

Clearance / Creepage distance	EN 60664-1 (2003/11); VDE 0110-1
Rated voltage	250V AC/DC, without PCB 50V AC/DC, without PCB, without ground with PCB see circuits and standard products
Rated current *	10 A with cable 0,75mm ² (AWG18) 6 A with cable 0,50mm ² (AWG20) 1 A with bridge rectifier
Pollution degree	3 acc. to DIN EN 60664-1 (VDE0110)
Contact resistance	< 10 mOhm
Mounting	Central screw M 3

' Notice derating

Materials

Contact	CuZn
Contact surface	Cu/Sn
Contact bearer	PA 66, black
over moulding	TPU, grey translucent
Central screw	4.8 , Fe/Zn B
Gasket(s)	TPU, molded EPDM, on demand, additional gasket see accessories

Resistances

Plug

according to DIN EN 175301-803
oil resistant: hydraulic oil HM22
UV resistance,
following to ISO 4582 is through UV radiation
a change of color from grey to grey-brown acceptable.
The change in color has no significant effect to the
mechanical and chemical characteristics.

Cable

have to be checked separately

Environmental conditions

Protection class (IEC 60529) *

IP65, IP67: -25°C to +85°C, without additional gasket**
IP68: -25°C to +70°C, without additional gasket**
IP65, IP67: -40°C to +105°C, with additional gasket**
IP68: -40°C to +85°C, with additional gasket**
IP69K: max. +80°C, without additional gasket, PUR-cable**

* only if mounted and locked and in combination with Hirschmann connector

** Notice Temp. range of the cable

Flammability class

over moulding

UL 94 HB

Contact bearer

UL 94 V-0

Approvals

VDE

in preparation

UL

E315587 Vol. 2

Accessories

Accessories to order separately

735-633-002:, GAN gasket
735-656-002, fixing-clip for gasket

Additional gasket required for extended IP-Protection and extended Temp.-range.

Cable-data

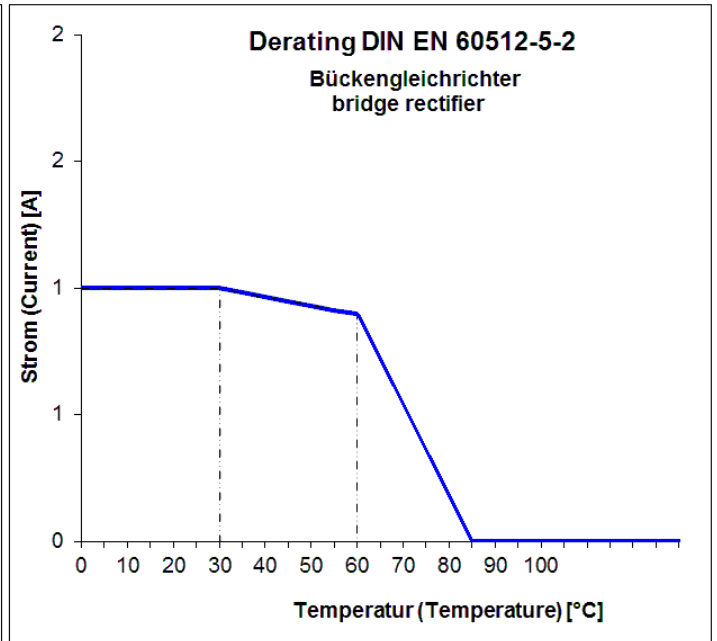
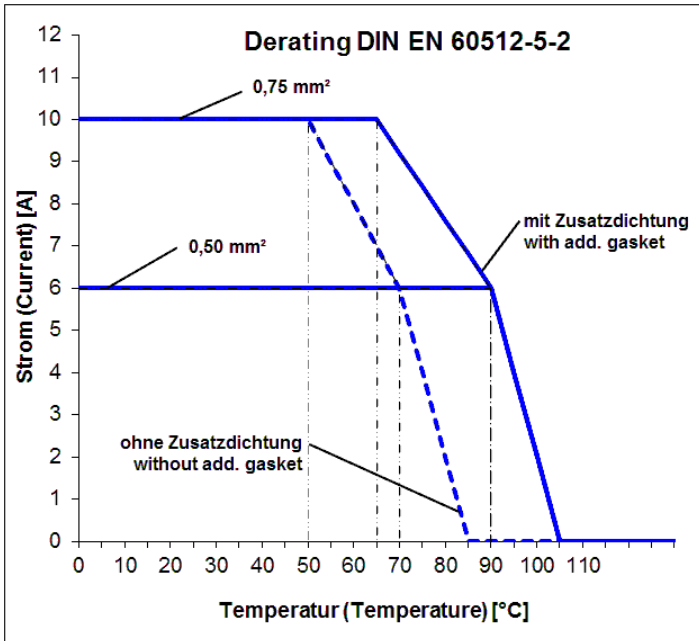
Cabletype	see standard products
Cable specification	see datasheet of cable
Cable length L	20 cm - 30 m, see standard products
Cable strip L1	0 mm - 75 mm, standard products: 60 mm
Wire finishing	standard: straight cut wire end sleeve, tinned on request
Cable material	PVC or PUR
Cable color	grey or black
Cable size	standard: 0,50 mm ² or 0,75 mm ²
Wire-colors, pin-assignment	standard pinassignment 2-wires: 1 = bn, 2 = bu 3-wires: 1 = bn, 2 = bu, PE = gnye 4-wires: 1 = bn, 2 = bu, 3 = bk, PE = gnye 5-wires: 1 = bn, 2 = bu, 3 = bk, PCB =gy, PE = gnye
Minimal bending radius (hard wired)	5x D
Minimal bending radius (moved)	10x D
Temperature range (hard-wired)	see datasheet of cable
Temperature range (moved)	see datasheet of cable

Additional technical data

Fastening torque (central screw)	M 3: (50-60) Ncm
----------------------------------	------------------

Cutline

Do not connect or disconnect under load.



Beschaltungen / integrated circuits

Bückengleichrichter * Bridge rectifier *	Schutzbeschaltungen protective circuit	Funktionsanzeige LED gelb function indicator LED yellow	Öffner / Schliesser pressure switch
ohne Schutzbeschaltung without protective circuit Productcode: D3 with LED: D4	RC-Glied RC-element Productcode: C1 with LED: C2	ohne Schutzbeschaltung without protective circuit Productcode: L1	 LED: RD/GN or GN/YE Productcode: P1
mit Suppressordiode with suppressordiode Productcode: S3 with LED: S4	Suppressordiode suppressordiode Productcode: S1	mit Suppressordiode with suppressordiode Productcode: S2	 LED: RD/GN or GN/YE Productcode: P2
mit Varistor with varistor Productcode: V3 with LED: V4	Varistor varistor Productcode: V1	mit Varistor with varistor Productcode: V2	 LED: GN or YE Productcode: P3
mit Varistor und Kondensator with varistor and condensator Productcode: C3 with LED: C4	Freilaufdiode recovery diode Productcode: D1	mit Freilaufdiode with recovery diode Productcode: D2	 LED: RD/GN or GN/YE Productcode: P4

* alle Bückengleichrichter optional mit Funktionsanzeige LED gelb
all bridge rectifiers optionally with function indicator LED yellow
LED-Farben: rot grün, blau auf Anfrage
LED-color: red, green, blue on request

Standard products

Artikel-No.	Type	Pin arrangement	Electr. Ratings	Cable-data
934-889-001	GAN22LU-A0U-2050200	2+2PE; A0U	10 A/250 V ac/dc	STL 205; 200 cm
934-889-002	GAN22LU-A0U-2050500	2+2PE; A0U	10 A/250 V ac/dc	STL 205; 500 cm
934-889-003	GAN22LU-A0U-2051000	2+2PE; A0U	10 A/250 V ac/dc	STL 205; 1000 cm
934-889-004	GAN22LU-A0U-2260500	2+2PE; A0U	6 A/250 V ac/dc	STL 226; 500 cm
934-889-005	GAN22LU-A0U-2261000	2+2PE; A0U	6 A/250 V ac/dc	STL 226; 1000 cm
934-889-006	GAN31LU-A0U-7430200	3+PE; A0U	6 A/250 V ac/dc	STL 743; 200 cm
934-889-007	GAN31LU-A0U-7430500	3+PE; A0U	6 A/250 V ac/dc	STL 743; 500 cm
934-889-008	GAN31LU-A0U-7431000	3+PE; A0U	6 A/250 V ac/dc	STL 743; 1000 cm
934-889-009	GAN31LU-A0U-7440200	3+PE; A0U	6 A/250 V ac/dc	STL 744; 200 cm
934-889-010	GAN31LU-A0U-7440500	3+PE; A0U	6 A/250 V ac/dc	STL 744; 500 cm
934-889-011	GAN31LU-A0U-7441000	3+PE; A0U	6 A/250 V ac/dc	STL 744; 1000 cm
934-889-012	GAN22LU-D24-2120200	2+2PE; D24	6 A/24 V dc; recovery d.	STL 212; 200 cm
934-889-013	GAN22LU-D24-2120500	2+2PE; D24	6 A/24 V dc; recovery d.	STL 212; 500 cm
934-889-014	GAN22LU-D24-2121000	2+2PE; D24	6 A/24 V dc; recovery d.	STL 212; 1000 cm
934-889-015	GAN22LU-D24-2260200	2+2PE; D24	6 A/24 V dc; recovery d.	STL 226; 200 cm
934-889-016	GAN22LU-D24-2260500	2+2PE; D24	6 A/24 V dc; recovery d.	STL 226; 500 cm
934-889-017	GAN22LU-D24-2261000	2+2PE; D24	6 A/24 V dc; recovery d.	STL 226; 1000 cm
934-889-018	GAN22LU-L14-2120200	2+2PE; L14	6 A/24 V ac/dc	STL 212; 200 cm
934-889-019	GAN22LU-L14-2120500	2+2PE; L14	6 A/24 V ac/dc	STL 212; 500 cm
934-889-020	GAN22LU-L14-2121000	2+2PE; L14	6 A/24 V ac/dc	STL 212; 1000 cm
934-889-021	GAN22LU-L14-2260200	2+2PE; L14	6 A/24 V ac/dc	STL 226; 200 cm
934-889-022	GAN22LU-L14-2260500	2+2PE; L14	6 A/24 V ac/dc	STL 226; 500 cm
934-889-023	GAN22LU-L14-2261000	2+2PE; L14	6 A/24 V ac/dc	STL 226; 1000 cm
934-889-024	GAN22LU-L11-2260200	2+2PE; L11	6 A/120 V ac/dc	STL 226; 200 cm
934-889-025	GAN22LU-L11-2260500	2+2PE; L11	6 A/120 V ac/dc	STL 226; 500 cm
934-889-026	GAN22LU-L11-2261000	2+2PE; L11	6 A/120 V ac/dc	STL 226; 1000 cm
934-889-027	GAN22LU-L1Y-2120200	2+2PE; L1Y	6 A/250 V ac/dc	STL 212; 200 cm
934-889-028	GAN22LU-L1Y-2120500	2+2PE; L1Y	6 A/250 V ac/dc	STL 212; 500 cm
934-889-029	GAN22LU-L1Y-2121000	2+2PE; L1Y	6 A/250 V ac/dc	STL 212; 1000 cm
934-889-030	GAN22LU-L1Y-2260200	2+2PE; L1Y	6 A/250 V ac/dc	STL 226; 200 cm
934-889-031	GAN22LU-L1Y-2260500	2+2PE; L1Y	6 A/250 V ac/dc	STL 226; 500 cm
934-889-032	GAN22LU-L1Y-2261000	2+2PE; L1Y	6 A/250 V ac/dc	STL 226; 1000 cm
934-889-033	GAN22LU-S24-2120200	2+2PE; S24	6 A/24 V ac/dc; TVS d.	STL 212; 200 cm
934-889-034	GAN22LU-S24-2120500	2+2PE; S24	6 A/24 V ac/dc; TVS d.	STL 212; 500 cm
934-889-035	GAN22LU-S24-2121000	2+2PE; S24	6 A/24 V ac/dc; TVS d.	STL 212; 1000 cm
934-889-036	GAN22LU-S24-2260200	2+2PE; S24	6 A/24 V ac/dc; TVS d.	STL 226; 200 cm
934-889-037	GAN22LU-S24-2260300	2+2PE; S24	6 A/24 V ac/dc; TVS d.	STL 226; 300 cm
934-889-038	GAN22LU-S24-2260500	2+2PE; S24	6 A/24 V ac/dc; TVS d.	STL 226; 500 cm
934-889-039	GAN22LU-S24-2261000	2+2PE; S24	6 A/24 V ac/dc; TVS d.	STL 226; 1000 cm
934-889-040	GAN22LU-V21-2260200	2+2PE; V21	6 A/120 V ac/dc; VDR	STL 226; 200 cm
934-889-041	GAN22LU-V21-2260500	2+2PE; V21	6 A/120 V ac/dc; VDR	STL 226; 500 cm
934-889-042	GAN22LU-V21-2261000	2+2PE; V21	6 A/120 V ac/dc; VDR	STL 226; 1000 cm
934-889-043	GAN22LU-V24-2120200	2+2PE; V24	6 A/24 V ac/dc; VDR	STL 212; 200 cm
934-889-044	GAN22LU-V24-2120300	2+2PE; V24	6 A/24 V ac/dc; VDR	STL 212; 300 cm
934-889-045	GAN22LU-V24-2120500	2+2PE; V24	6 A/24 V ac/dc; VDR	STL 212; 500 cm
934-889-046	GAN22LU-V24-2121000	2+2PE; V24	6 A/24 V ac/dc; VDR	STL 212; 1000 cm
934-889-047	GAN22LU-V24-2260060	2+2PE; V24	6 A/24 V ac/dc; VDR	STL 226; 060 cm
934-889-048	GAN22LU-V24-2260200	2+2PE; V24	6 A/24 V ac/dc; VDR	STL 226; 200 cm
934-889-049	GAN22LU-V24-2260300	2+2PE; V24	6 A/24 V ac/dc; VDR	STL 226; 300 cm
934-889-050	GAN22LU-V24-2260500	2+2PE; V24	6 A/24 V ac/dc; VDR	STL 226; 500 cm
934-889-051	GAN22LU-V24-2261000	2+2PE; V24	6 A/24 V ac/dc; VDR	STL 226; 1000 cm
934-889-052	GAN22LU-V24-2261500	2+2PE; V24	6 A/24 V ac/dc; VDR	STL 226; 1500 cm
934-889-053	GAN22LU-V24-2262000	2+2PE; V24	6 A/24 V ac/dc; VDR	STL 226; 2000 cm
934-889-054	GAN22LU-V24-2262500	2+2PE; V24	6 A/24 V ac/dc; VDR	STL 226; 2500 cm
934-889-055	GAN22LU-V2Y-2120200	2+2PE; V2Y	6 A/250 V ac/dc; VDR	STL 212; 200 cm
934-889-056	GAN22LU-V2Y-2120500	2+2PE; V2Y	6 A/250 V ac/dc; VDR	STL 212; 500 cm
934-889-057	GAN22LU-V2Y-2121000	2+2PE; V2Y	6 A/250 V ac/dc; VDR	STL 212; 1000 cm
934-889-058	GAN22LU-V2Y-2260200	2+2PE; V2Y	6 A/250 V ac/dc; VDR	STL 226; 200 cm
934-889-059	GAN22LU-V2Y-2260500	2+2PE; V2Y	6 A/250 V ac/dc; VDR	STL 226; 500 cm
934-889-060	GAN22LU-V2Y-2261000	2+2PE; V2Y	6 A/250 V ac/dc; VDR	STL 226; 1000 cm

934-889-061	GAN31LU-P2M-2280200	3+PE; P2M	6 A/24 V dc	STL 228; 200 cm
934-889-062	GAN31LU-P2M-2280500	3+PE; P2M	6 A/24 V dc	STL 228; 500 cm
934-889-063	GAN31LU-P2M-2281000	3+PE; P2M	6 A/24 V dc	STL 228; 1000 cm
934-889-064	GAN3ZLU-P2M-2280200	3+PE; P2M	6 A/24 V dc	STL 228; 200 cm
934-889-065	GAN3ZLU-P2M-2280500	3+PE; P2M	6 A/24 V dc	STL 228; 500 cm
934-889-066	GAN3ZLU-P2M-2281000	3+PE; P2M	6 A/24 V dc	STL 228; 1000 cm
934-889-067	GAN3ZLU-P2M-2281500	3+PE; P2M	6 A/24 V dc	STL 228; 1500 cm
934-889-068	GAN3ZLU-P2M-2590500	3+PE; P2M	6 A/24 V dc	STL 259; 500 cm
934-889-069	GAN3ZLU-P2M-2591000	3+PE; P2M	6 A/24 V dc	STL 259; 1000 cm
934-889-070	GAN21LU-A0U-6090200	2+PE; A0U	10 A/250 V ac/dc	STL 609; 200 cm
934-889-071	GAN21LU-A0U-6090500	2+PE; A0U	10 A/250 V ac/dc	STL 609; 500 cm
934-889-072	GAN21LU-A0U-6091000	2+PE; A0U	10 A/250 V ac/dc	STL 609; 1000 cm
934-889-073	GAN21LU-A0U-6030200	2+PE; A0U	10 A/250 V ac/dc	STL 603; 200 cm
934-889-074	GAN21LU-A0U-6030500	2+PE; A0U	10 A/250 V ac/dc	STL 603; 500 cm
934-889-075	GAN31LU-A0U-6100200	3+PE; A0U	10 A/250 V ac/dc	STL 610; 200 cm
934-889-076	GAN31LU-A0U-6100500	3+PE; A0U	10 A/250 V ac/dc	STL 610; 500 cm
934-889-077	GAN31LU-A0U-6101000	3+PE; A0U	10 A/250 V ac/dc	STL 610; 1000 cm
934-889-078	GAN31LU-A0U-6040200	3+PE; A0U	10 A/250 V ac/dc	STL 604; 200 cm
934-889-079	GAN31LU-A0U-6040500	3+PE; A0U	10 A/250 V ac/dc	STL 604; 500 cm
934-889-080	GAN3ZLU-A0U-6100500	3+PE; A0U	10 A/250 V ac/dc	STL 610; 500 cm
934-889-081	GAN22LU-A0U-6090200	2+PE; A0U	10 A/250 V ac/dc	STL 609; 200 cm
934-889-082	GAN22LU-A0U-6090500	2+PE; A0U	10 A/250 V ac/dc	STL 609; 500 cm
934-889-083	GAN22LU-A0U-6030200	2+PE; A0U	10 A/250 V ac/dc	STL 603; 200 cm
934-889-084	GAN22LU-A0U-6030500	2+PE; A0U	10 A/250 V ac/dc	STL 603; 500 cm
934-889-085	GAN20LU-A0U-6120200	2 pol; A0U	10 A/50 V ac/dc	STL 612; 200 cm
934-889-086	GAN20LU-A0U-6120500	2 pol; A0U	10 A/50 V ac/dc	STL 612; 500 cm
934-889-087	GAN20LU-A0U-6060200	2 pol; A0U	10 A/50 V ac/dc	STL 606; 200 cm
934-889-088	GAN20LU-A0U-6060500	2 pol; A0U	10 A/50 V ac/dc	STL 606; 500 cm
934-889-089	GAN22LU-L14-6090200	2+2PE; L14	10 A/24 V ac/dc	STL 609; 200 cm
934-889-090	GAN22LU-L14-6090500	2+2PE; L14	10 A/24 V ac/dc	STL 609; 500 cm
934-889-091	GAN22LU-L14-6030200	2+2PE; L14	10 A/24 V ac/dc	STL 603; 200 cm
934-889-092	GAN22LU-L14-6030275	2+2PE; L14	10 A/24 V ac/dc	STL 603; 275 cm
934-889-093	GAN22LU-L14-6030500	2+2PE; L14	10 A/24 V ac/dc	STL 603; 500 cm
934-889-094	GAN22LU-L11-6090200	2+2PE; L11	10 A/120 V ac/dc	STL 609; 200 cm
934-889-095	GAN22LU-L11-6090500	2+2PE; L11	10 A/120 V ac/dc	STL 609; 500 cm
934-889-096	GAN22LU-L11-6030200	2+2PE; L11	10 A/120 V ac/dc	STL 603; 200 cm
934-889-097	GAN22LU-L11-6030500	2+2PE; L11	10 A/120 V ac/dc	STL 603; 500 cm
934-889-098	GAN22LU-L1Y-6090200	2+2PE; L1Y	10 A/250 V ac/dc	STL 609; 200 cm
934-889-099	GAN22LU-L1Y-6090500	2+2PE; L1Y	10 A/250 V ac/dc	STL 609; 500 cm
934-889-100	GAN22LU-L1Y-6030200	2+2PE; L1Y	10 A/250 V ac/dc	STL 603; 200 cm
934-889-101	GAN22LU-L1Y-6030500	2+2PE; L1Y	10 A/250 V ac/dc	STL 603; 500 cm
934-889-102	GAN22LU-S24-6090200	2+2PE; S24	10 A/24 V ac/dc; TVS d.	STL 609; 200 cm
934-889-103	GAN22LU-S24-6090500	2+2PE; S24	10 A/24 V ac/dc; TVS d.	STL 609; 500 cm
934-889-104	GAN22LU-S24-6090700	2+2PE; S24	10 A/24 V ac/dc; TVS d.	STL 609; 700 cm
934-889-105	GAN22LU-S24-6030200	2+2PE; S24	10 A/24 V ac/dc; TVS d.	STL 603; 200 cm
934-889-106	GAN22LU-S24-6030500	2+2PE; S24	10 A/24 V ac/dc; TVS d.	STL 603; 500 cm
934-889-107	GAN31LU-P1J-6110200	3+PE; P1J	10 A/24 V dc	STL 611; 200 cm
934-889-108	GAN31LU-P1J-6110500	3+PE; P1J	10 A/24 V dc	STL 611; 500 cm
934-889-109	GAN31LU-P1M-6110200	3+PE; P1M	10 A/24 V dc	STL 611; 200 cm
934-889-110	GAN31LU-P1M-6110500	3+PE; P1M	10 A/24 V dc	STL 611; 500 cm
934-889-111	GAN22LU-V2Y-6090200	2+2PE; V2Y	10 A/250 V ac/dc; VDR	STL 609; 200 cm
934-889-112	GAN22LU-V2Y-6090500	2+2PE; V2Y	10 A/250 V ac/dc; VDR	STL 609; 500 cm
934-889-113	GAN22LU-V2Y-6030200	2+2PE; V2Y	10 A/250 V ac/dc; VDR	STL 603; 200 cm
934-889-114	GAN22LU-V2Y-6030500	2+2PE; V2Y	10 A/250 V ac/dc; VDR	STL 603; 500 cm
934-889-115	GAN22LU-V21-6090200	2+2PE; V21	10 A/120 V ac/dc; VDR	STL 609; 200 cm
934-889-116	GAN22LU-V21-6090500	2+2PE; V21	10 A/120 V ac/dc; VDR	STL 609; 500 cm
934-889-117	GAN22LU-V21-6030200	2+2PE; V21	10 A/120 V ac/dc; VDR	STL 603; 200 cm
934-889-118	GAN22LU-V21-6030500	2+2PE; V21	10 A/120 V ac/dc; VDR	STL 603; 500 cm
934-889-119	GAN20LU-S22-6180200	2 pol; S22	10 A/12 V ac/dc; TVS d.	STL 618; 200 cm
934-889-120	GAN20LU-S22-6180440	2 pol; S22	10 A/12 V ac/dc; TVS d.	STL 618; 440 cm
934-889-121	GAN20LU-S22-6181000	2 pol; S22	10 A/12 V ac/dc; TVS d.	STL 618; 1000 cm