

- 1
- 2
- 3
- 4
- 5
- 6
- 7
- 8
- 9
- 10
- 11
- 12
- 13
- 14
- 15
- 16
- 17
- 18

STANDARD EXECUTIONS

- **LMR.F-AS**: zinc-plated steel base, anchoring bracket and threaded stem, with hexagon socket and spanner flats at the base. Zinc-plated steel nut.
- **LMR.F-AS-SST**: AISI 304 stainless steel base and anchoring bracket, matte sandblasted finish. AISI 303 stainless steel threaded stem, with hexagon socket and spanner flats at the base. AISI 304 stainless steel nut.

NO-SLIP DISK

NBR rubber (PERBUNAN), hardness 80±5 Shore A, black colour. Stainless steel washer and set screw, clamped by means of glue.

FEATURES

The perfect adhesion between the rubber and the metal surface of the cavity of the base and the fixing by means of an axial screw make the two components integral and avoid the infiltration of solid or liquid substances inside the base.

The stem can be adjusted from two positions: either by means of the hexagon socket at the upper end or by means of the spanner flats at the lower end.

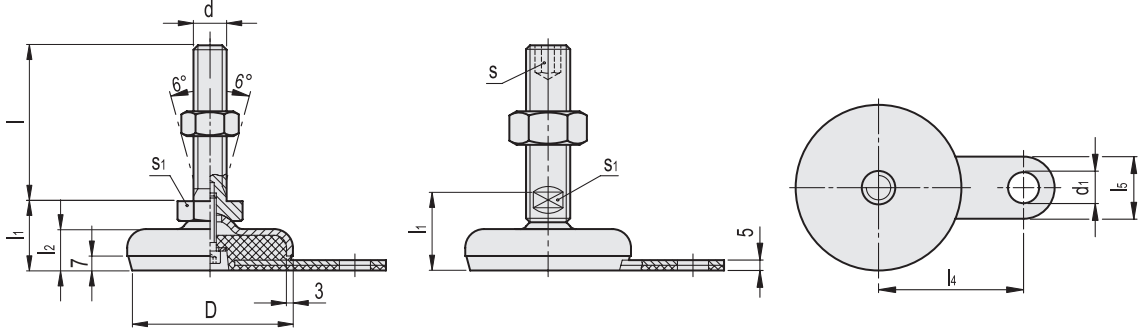
TECHNICAL DATA

The load values reported in the table are the result of a series of tests with loads applied to the stem and distributed on the horizontal plane of the base. If these values are exceeded a deformation of metal sheet of the base can occur and therefore also the no-slip disk plastic material can be damaged.



LMR.F-AS
LMR.F-AS-SST
(M8-M10-M12)

LMR.F-AS
LMR.F-AS-SST
(M16-M20-M24)



LMR.F-AS

LMR.F-AS-SST



Code	Description	D	d	l	l1	l2	l4	l5	d1	s	s1	Max. limit static load [N]	Δ	Code	Description	Max. limit static load [N]	Δ
406711	LMR.F-50-AS-M8x40	50	M8	40	26	18	45	25	13	-	17	8000	95	408711	LMR.F-50-AS-SST-M8x40	8000	96
406713	LMR.F-50-AS-M8x50	50	M8	50	26	18	45	25	13	-	17	8000	105	408713	LMR.F-50-AS-SST-M8x50	8000	106
406715	LMR.F-50-AS-M10x50	50	M10	50	26	18	45	25	13	-	17	10000	130	408715	LMR.F-50-AS-SST-M10x50	14000	131
406717	LMR.F-50-AS-M10x60	50	M10	60	26	18	45	25	13	-	17	10000	140	408717	LMR.F-50-AS-SST-M10x60	14000	141
406719	LMR.F-50-AS-M10x80	50	M10	80	26	18	45	25	13	-	17	10000	155	408719	LMR.F-50-AS-SST-M10x80	14000	157
406721	LMR.F-50-AS-M12x60	50	M12	60	26	18	45	25	13	-	17	12000	140	408721	LMR.F-50-AS-SST-M12x60	20000	141
406723	LMR.F-50-AS-M12x80	50	M12	80	26	18	45	25	13	-	17	12000	160	408723	LMR.F-50-AS-SST-M12x80	20000	162
406725	LMR.F-50-AS-M12x100	50	M12	100	26	18	45	25	13	-	17	12000	180	408725	LMR.F-50-AS-SST-M12x100	20000	182
406732	LMR.F-50-AS-M16x75	50	M16	75	32	18	45	25	13	8	12	16000	232	408732	LMR.F-50-AS-SST-M16x75	28000	234
406734	LMR.F-50-AS-M16x100	50	M16	100	32	18	45	25	13	8	12	16000	265	408734	LMR.F-50-AS-SST-M16x100	28000	268
406736	LMR.F-50-AS-M16x125	50	M16	125	32	18	45	25	13	8	12	16000	305	408736	LMR.F-50-AS-SST-M16x125	28000	308
406738	LMR.F-50-AS-M16x150	50	M16	150	32	18	45	25	13	8	12	16000	340	408738	LMR.F-50-AS-SST-M16x150	28000	343



LMR.F-AS

LMR.F-AS-SST



Code	Description	D	d	l	l1	l2	l4	l5	d1	s	s1	Max. limit static load [N]	Δ	Code	Description	Max. limit static load [N]	Δ
406811	LMR.F-60-AS-M8x40	60	M8	40	27	19	50	25	13	-	17	8000	140	408811	LMR.F-60-AS-SST-M8x40	8000	141
406813	LMR.F-60-AS-M8x50	60	M8	50	27	19	50	25	13	-	17	8000	150	408813	LMR.F-60-AS-SST-M8x50	8000	152
406815	LMR.F-60-AS-M10x50	60	M10	50	27	19	50	25	13	-	17	10000	170	408815	LMR.F-60-AS-SST-M10x50	14000	172
406817	LMR.F-60-AS-M10x60	60	M10	60	27	19	50	25	13	-	17	10000	180	408817	LMR.F-60-AS-SST-M10x60	14000	182
406819	LMR.F-60-AS-M10x80	60	M10	80	27	19	50	25	13	-	17	10000	190	408819	LMR.F-60-AS-SST-M10x80	14000	192
406821	LMR.F-60-AS-M12x60	60	M12	60	27	19	50	25	13	-	17	12000	215	408821	LMR.F-60-AS-SST-M12x60	20000	217
406823	LMR.F-60-AS-M12x80	60	M12	80	27	19	50	25	13	-	17	12000	216	408823	LMR.F-60-AS-SST-M12x80	20000	218
406825	LMR.F-60-AS-M12x100	60	M12	100	27	19	50	25	13	-	17	12000	220	408825	LMR.F-60-AS-SST-M12x100	20000	222
406832	LMR.F-60-AS-M16x75	60	M16	75	33	19	50	25	13	8	12	16000	240	408832	LMR.F-60-AS-SST-M16x75	28000	242
406834	LMR.F-60-AS-M16x100	60	M16	100	33	19	50	25	13	8	12	16000	315	408834	LMR.F-60-AS-SST-M16x100	28000	318
406836	LMR.F-60-AS-M16x125	60	M16	125	33	19	50	25	13	8	12	16000	350	408836	LMR.F-60-AS-SST-M16x125	28000	353
406838	LMR.F-60-AS-M16x150	60	M16	150	33	19	50	25	13	8	12	16000	390	408838	LMR.F-60-AS-SST-M16x150	28000	394
406911	LMR.F-80-AS-M10x50	80	M10	50	28	20	70	30	15	-	17	10000	280	408911	LMR.F-80-AS-SST-M10x50	14000	283
406913	LMR.F-80-AS-M10x60	80	M10	60	28	20	70	30	15	-	17	10000	290	408913	LMR.F-80-AS-SST-M10x60	14000	293
406915	LMR.F-80-AS-M10x80	80	M10	80	28	20	70	30	15	-	17	10000	310	408915	LMR.F-80-AS-SST-M10x80	14000	313
406917	LMR.F-80-AS-M12x60	80	M12	60	28	20	70	30	15	-	17	12000	325	408917	LMR.F-80-AS-SST-M12x60	20000	328
406919	LMR.F-80-AS-M12x80	80	M12	80	28	20	70	30	15	-	17	12000	327	408919	LMR.F-80-AS-SST-M12x80	20000	330
406921	LMR.F-80-AS-M12x100	80	M12	100	28	20	70	30	15	-	17	12000	330	408921	LMR.F-80-AS-SST-M12x100	20000	333
406932	LMR.F-80-AS-M16x75	80	M16	75	34	20	70	30	15	8	12	12000	365	408932	LMR.F-80-AS-SST-M16x75	19000	369
406934	LMR.F-80-AS-M16x100	80	M16	100	34	20	70	30	15	8	12	12000	430	408934	LMR.F-80-AS-SST-M16x100	19000	434
406936	LMR.F-80-AS-M16x125	80	M16	125	34	20	70	30	15	8	12	12000	465	408936	LMR.F-80-AS-SST-M16x125	19000	470
406938	LMR.F-80-AS-M16x150	80	M16	150	34	20	70	30	15	8	12	12000	495	408938	LMR.F-80-AS-SST-M16x150	19000	500
406952	LMR.F-80-AS-M20x75	80	M20	75	34	20	70	30	15	10	15	12000	470	408952	LMR.F-80-AS-SST-M20x75	19000	475
406954	LMR.F-80-AS-M20x100	80	M20	100	34	20	70	30	15	10	15	12000	525	408954	LMR.F-80-AS-SST-M20x100	19000	530
406956	LMR.F-80-AS-M20x125	80	M20	125	34	20	70	30	15	10	15	12000	570	408956	LMR.F-80-AS-SST-M20x125	19000	576
406958	LMR.F-80-AS-M20x150	80	M20	150	34	20	70	30	15	10	15	12000	635	408958	LMR.F-80-AS-SST-M20x150	19000	641
406972	LMR.F-80-AS-M24x100	80	M24	100	34	20	70	30	15	12	19	12000	660	408972	LMR.F-80-AS-SST-M24x100	19000	667
406974	LMR.F-80-AS-M24x125	80	M24	125	34	20	70	30	15	12	19	12000	700	408974	LMR.F-80-AS-SST-M24x125	19000	707
406976	LMR.F-80-AS-M24x150	80	M24	150	34	20	70	30	15	12	19	12000	800	408976	LMR.F-80-AS-SST-M24x150	19000	808
407011	LMR.F-100-AS-M12x60	100	M12	60	29	21	80	30	15	-	17	11000	440	409011	LMR.F-100-AS-SST-M12x60	17000	444
407013	LMR.F-100-AS-M12x80	100	M12	80	29	21	80	30	15	-	17	11000	490	409013	LMR.F-100-AS-SST-M12x80	17000	495
407015	LMR.F-100-AS-M12x100	100	M12	100	29	21	80	30	15	-	17	11000	540	409015	LMR.F-100-AS-SST-M12x100	17000	545
407032	LMR.F-100-AS-M16x75	100	M16	75	35	21	80	30	15	8	12	11000	480	409032	LMR.F-100-AS-SST-M16x75	17000	485
407034	LMR.F-100-AS-M16x100	100	M16	100	35	21	80	30	15	8	12	11000	560	409034	LMR.F-100-AS-SST-M16x100	17000	566
407036	LMR.F-100-AS-M16x125	100	M16	125	35	21	80	30	15	8	12	11000	605	409036	LMR.F-100-AS-SST-M16x125	17000	611
407038	LMR.F-100-AS-M16x150	100	M16	150	35	21	80	30	15	8	12	11000	635	409038	LMR.F-100-AS-SST-M16x150	17000	641
407052	LMR.F-100-AS-M20x75	100	M20	75	35	21	80	30	15	10	15	11000	600	409052	LMR.F-100-AS-SST-M20x75	17000	606
407054	LMR.F-100-AS-M20x100	100	M20	100	35	21	80	30	15	10	15	11000	665	409054	LMR.F-100-AS-SST-M20x100	17000	672
407056	LMR.F-100-AS-M20x125	100	M20	125	35	21	80	30	15	10	15	11000	700	409056	LMR.F-100-AS-SST-M20x125	17000	707
407058	LMR.F-100-AS-M20x150	100	M20	150	35	21	80	30	15	10	15	11000	760	409058	LMR.F-100-AS-SST-M20x150	17000	768
407072	LMR.F-100-AS-M24x100	100	M24	100	35	21	80	30	15	12	19	11000	800	409072	LMR.F-100-AS-SST-M24x100	17000	808
407074	LMR.F-100-AS-M24x125	100	M24	125	35	21	80	30	15	12	19	11000	900	409074	LMR.F-100-AS-SST-M24x125	17000	909
407076	LMR.F-100-AS-M24x150	100	M24	150	35	21	80	30	15	12	19	11000	960	409076	LMR.F-100-AS-SST-M24x150	17000	970