

- 1
- 2
- 3
- 4
- 5
- 6
- 7
- 8
- 9
- 10
- 11
- 12
- 13
- 14
- 15
- 16
- 17
- 18

MATERIAL

Aluminium

CLAMPING AND GRUB SCREW

AISI 304 stainless steel with hexagon socket.

STANDARD EXECUTIONS

With hole tolerance G8

- **MSM-H-A-ANB**: anodised aluminium, black colour.
- **MSM-H-A-MT**: natural aluminium, matte finish.

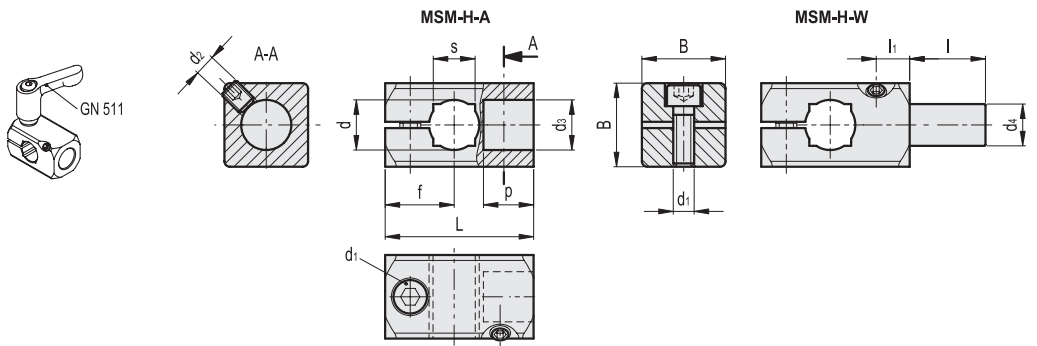
With zinc-plated steel pin with tolerance h9:

- **MSM-H-W-ANB**: anodised aluminium, black colour.
- **MSM-H-W-MT**: natural aluminium, matte finish.

KEY TO TABLE DIMENSIONS

d = hole diameter for shaft tolerance h9.

d1= clamping screws which can be replaced with clamping kit type GN 511 (see page 924).



MSM-H-A-ANB

Code	Description	d	d1	d2	d3 G8	L	B	l1	p	f	s	d1 Clamping kit	⚖️
500251	MSM-H-8-8-A-ANB	8	M4	M4	8	26	16	5.5	8	13	-	GN 511-M4-16	20
500259	MSM-H-10-10-A-ANB	10	M5	M5	10	31.5	20	7	10	15.5	8	GN 511-M5-20	150
500267	MSM-H-12-12-A-ANB	12	M5	M5	12	35.5	20	8	12	16.5	10	GN 511-M5-20	28
500275	MSM-H-15-15-A-ANB	15	M6	M6	15	43.5	25	10	15	20	12	GN 511-M6-25	54
500283	MSM-H-16-16-A-ANB	16	M6	M6	16	45	25	11	16	20	-	GN 511-M6-25	54
500295	MSM-H-20-20-A-ANB	20	M6	M6	20	51	30	12	20	22	16	GN 511-M6-30	60

MSM-H-A-MT

500253	MSM-H-8-8-A-MT	8	M4	M4	8	26	16	5.5	8	13	-	GN 511-M4-16	20
500261	MSM-H-10-10-A-MT	10	M5	M5	10	31.5	20	7	10	15.5	8	GN 511-M5-20	150
500269	MSM-H-12-12-A-MT	12	M5	M5	12	35.5	20	8	12	16.5	10	GN 511-M5-20	28
500277	MSM-H-15-15-A-MT	15	M6	M6	15	43.5	25	10	15	20	12	GN 511-M6-25	54
500285	MSM-H-16-16-A-MT	16	M6	M6	16	45	25	11	16	20	-	GN 511-M6-25	54
500297	MSM-H-20-20-A-MT	20	M6	M6	20	51	30	12	20	22	16	GN 511-M6-30	60

MSM-H-W-ANB

500255	MSM-H-8-8-W-ANB	8	M4	M4	8	26	16	16	5.5	13	-	GN 511-M4-16	20
500263	MSM-H-10-10-W-ANB	10	M5	M5	10	31.5	20	17	7	15.5	8	GN 511-M5-20	150
500271	MSM-H-12-12-W-ANB	12	M5	M5	12	35.5	20	19	8	16.5	10	GN 511-M5-20	28
500279	MSM-H-15-15-W-ANB	15	M6	M6	15	43.5	25	21	10	20	12	GN 511-M6-25	54
500287	MSM-H-16-16-W-ANB	16	M6	M6	16	45	25	24	11	20	-	GN 511-M6-25	54
500291	MSM-H-20-20-W-ANB	20	M6	M6	20	51	30	26	12	22	16	GN 511-M6-30	60

MSM-H-W-MT

500257	MSM-H-8-8-W-MT	8	M4	M4	8	26	16	16	5.5	13	-	GN 511-M4-16	20
500265	MSM-H-10-10-W-MT	10	M5	M5	10	31.5	20	17	7	15.5	8	GN 511-M5-20	150
500273	MSM-H-12-12-W-MT	12	M5	M5	12	35.5	20	19	8	16.5	10	GN 511-M5-20	28
500281	MSM-H-15-15-W-MT	15	M6	M6	15	43.5	25	21	10	20	12	GN 511-M6-25	54
500289	MSM-H-16-16-W-MT	16	M6	M6	16	45	25	24	11	20	-	GN 511-M6-25	54
500293	MSM-H-20-20-W-MT	20	M6	M6	20	51	30	26	12	22	16	GN 511-M6-30	60

Levelling feet and supports