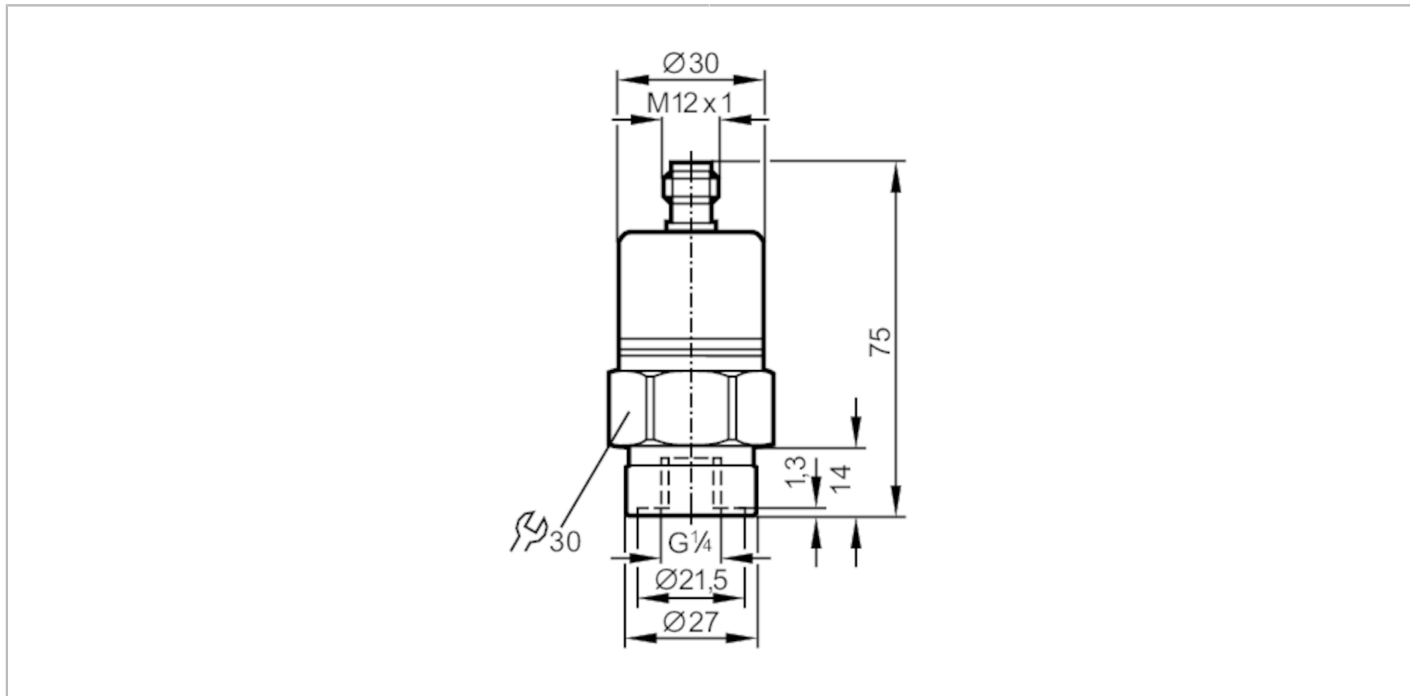


PA3026



Pressure transmitter with ceramic measuring cell

PA-2,5-RBR14-A-ZVG/US/ IV



Product characteristics

Output signal	analogue signal			
Measuring range	0...2.5 bar	0...2500 mbar	0...36 psi	0...250 kPa
Process connection	threaded connection G 1/4 internal thread			

Application

Special feature	Gold-plated contacts		
Application	for industrial applications		
Media	liquids and gases		
Medium temperature [°C]	-25...90; (on request: -40...90 °C)		
Pressure rating	20 bar	290 psi	2 MPa
Min. bursting pressure	50 bar	725 psi	5 MPa
Type of pressure	relative pressure		

Electrical data

Operating voltage [V]	9.6...32 DC
Min. insulation resistance [MΩ]	100; (500 V DC)
Protection class	III
Reverse polarity protection	yes

Inputs / outputs

Number of inputs and outputs	Number of analogue outputs: 1
------------------------------	-------------------------------

PA3026



Pressure transmitter with ceramic measuring cell

PA-2,5-RBR14-A-ZVG/US/ IV

Outputs		
Total number of outputs	1	
Output signal	analogue signal	
Number of analogue outputs	1	
Analogue current output [mA]	4...20	
Max. load [Ω]	720; ($U_b = 24\text{ V}$; ($U_b - 9,6\text{ V}$) / 20 mA)	
Overload protection	yes	
Measuring/setting range		
Measuring range	0...2.5 bar 0...2500 mbar 0...36 psi 0...250 kPa	
Accuracy / deviations		
Repeatability [% of the span]	< 0,1; (with temperature fluctuations < 10 K)	
Characteristics deviation [% of the span]	< $\pm 0,25$ (BFSL) / < $\pm 0,5$ (LS); (BFSL = Best Fit Straight Line; LS = limit value setting)	
Long-term stability [% of the span]	< $\pm 0,05$; (per 6 months)	
Temperature coefficient zero point [% of the span / 10 K]	0,1; (0...80 °C)	
Temperature coefficient span [% of the span / 10 K]	0,2; (0...80 °C)	
Response times		
Step response time analogue output [ms]	3	
Operating conditions		
Ambient temperature [°C]	-25...80	
Storage temperature [°C]	-40...100	
Protection	IP 65	
Tests / approvals		
EMC	EN 61000-4-2 ESD	4 kV CD / 8 kV AD
	EN 61000-4-3 HF radiated	30 V/m
	EN 61000-4-4 Burst	2 kV
	EN 61000-4-6 HF conducted	10 V
	radiation of interference	according to the automotive directive 2004/104/EC
	CISPR 25	
	immunity	according to the automotive directive 2004/104/EC
	ISO 11452-2 HF radiated	100 V/m
	ISO 7637-2 pulse	severity level 4
	Shock resistance	DIN EN 60068-2-27
DIN EN 61373		category 3
Vibration resistance	DIN EN 60068-2-6	20 g (10...2000 Hz)
	DIN EN 61373	category 2
MTTF [years]	506	
Pressure Equipment Directive	Sound engineering practice; can be used for group 2 fluids; group 1 fluids on request	
Railway applications	DIN EN 50155 / IEC 60571	Klasse T3, C1, S1

PA3026



Pressure transmitter with ceramic measuring cell

PA-2,5-RBR14-A-ZVG/US/ IV

Mechanical data	
Weight [g]	221
Materials	stainless steel (1.4404 / 316L); FKM; PA; EPDM/X
Materials (wetted parts)	stainless steel (1.4305 / 303); ceramics; FKM
Min. pressure cycles	100 million
Process connection	threaded connection G 1/4 internal thread
Restrictor element integrated	no (can be retrofitted)

Remarks	
Pack quantity	1 pcs.

Electrical connection

Connector: 1 x M12; Contacts: gold-plated



Connection

