

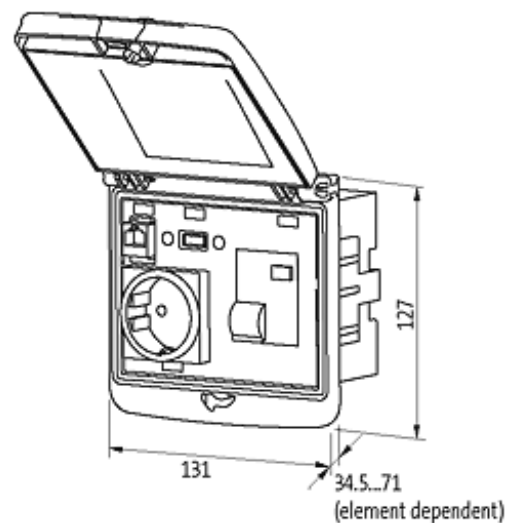
MODLINK MSDD FRAME DBL METALIC

Closure 3 mm double bit incl. pluggable knob

Mounting frame plastic PBT black

Lid: plastic, ABS gray

Closure: 3 mm double bit
with attachable rotation knob

[Link to Product](#)**Illustration**

Product may differ from Image

Approvals



Frame

suitable for mounting with wall thickness	1...5 mm
Protection	IP65
Dimensions H x W x D	91x117x5
Temperature range	-30...+70 °C (storage temperature -30...+80 °C)

General data

Dimensions H x W x D	127x131x32 mm
----------------------	---------------

Commercial data

country of origin	DE
customs tariff number	85389099
minimum order quantity	1