

**MVK+ MPNIO DI8 DO8 PUSH PULL GALVANIC SEPARATION**

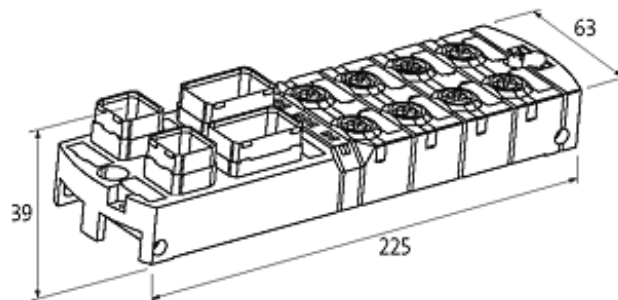
MVK ProfiNet Compact module, metal

Digital inputs/outputs

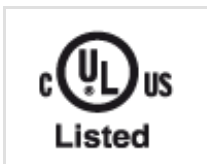
DI8 (DO8)

Push Pull

For connection cables please see chapter "Connection Technology" All housings are fully potted

[Link to Product](#)**Illustration**

Product may differ from Image

**Approvals****More Info**



### Input

Sensor supply US	24 V DC (EN 61131-2), max. 200 mA (M12 female), short-circuit and overload protected
Type	for 3-wire sensors or mechanical switches, PNP, (EN 61131-2)
PIN 2	Female 4...7
PIN 4	Female 4...7

### Connections

Fieldbus	Push Pull RJ45 Data connector
Sensor-system/actuator supply	Power plug, Push Pull, max. 12 A
I/O ports	M12, A-coded, 5-pole

### Fieldbus

Operating voltage	24 V DC (EN 61131-2)
Operating modes	Autonegotiation/Auto MDI/MDI-X
Transfer rate	to 100 Mbit/s Full Duplex
FSU (Fast-Start-Up)	max. 500 ms
Addressing	DCP

### General data

Protection	IP67
Mounting method	2-hole screw mounting
Temperature range	0...+55 °C (storage temperature -20...+70 °C)
Dimensions H × W × D	42.7×63×225 mm

### Parameterization

PIN 4	Input (female 4...7); output (female 0...3)
PIN 2	Input (female 4...7); output (female 0...3)

### Output

Actuator supply UA	24 V DC (EN 61131-2), max. 12 A
Switching current per output	max. 2 A (short-circuit and overload protected)
Lamp load	10 W

### Diagnostic

Communication status	via LED
Diagnostic via LED	per module and channel
Diagnostic via BUS	per module and channel
Monitoring - under voltage	yes
Monitoring - no voltage	yes
Short circuit and overload	yes
Actuator warning	per channel via LED and BUS

---

Cable break	per port
-------------	----------

**Commercial data**

---

country of origin	DE
-------------------	----

---

customs tariff number	85176200
-----------------------	----------

---

minimum order quantity	1
------------------------	---