



SAFETY POSITION SWITCH WITH SEPERATE ACTUATOR MOLDED-PLASTIC ENCLOSURE LATERAL AND FRONTAL SLOW-ACTION CONTACTS, 1NO+2NC, 3X(M20X1.5) WITH DELIVERY WITHOUT ACTUATOR DELIVERY WITHOUT ACTUATOR

Figure similar

Product designation		safety position switch
General technical data:		
Protection class IP		IP65
Equipment marking		B
<ul style="list-style-type: none"> • acc. to DIN EN 61346-2 • acc. to DIN EN 81346-2 		B
Active principle		mechanical
Explosion protection category for dust		none
Explosion protection category for gas		none
Enclosure:		
Design of the housing		wide
Material of the enclosure		glass fiber reinforced thermoplast
Coating of the enclosure		Other types
Design of the housing acc. to standard		No
Drive Head:		
Design of the operating mechanism		without
Design of the switching function		positive opening
Connections/ Terminals:		
Type of electrical connection		screw-type terminals
Communication/ Protocol:		
Design of the interface		without
Ambient conditions:		
Ambient temperature		

- during operation

°C -30 ... +85

Installation/ mounting/ dimensions:

Mounting type screw fixing

Certificates/ approvals:

General Product Approval

Declaration of Conformity

Shipping Approval



Shipping Approval

other



[Confirmation](#)

[other](#)

Further information

Information- and Downloadcenter (Catalogs, Brochures,...)

<http://www.siemens.com/industrial-controls/catalogs>

Industry Mall (Online ordering system)

<http://www.siemens.com/industrymall>

Cax online generator

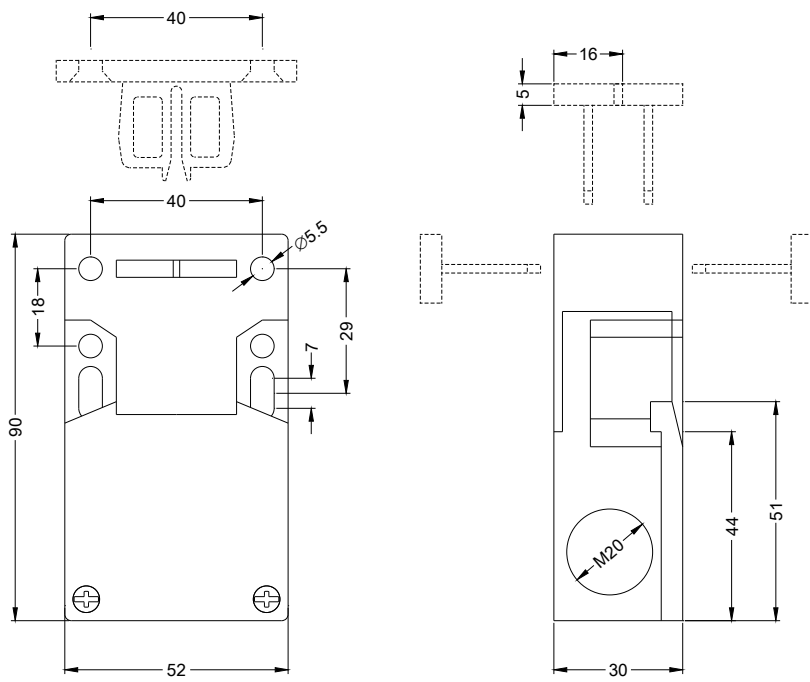
<http://support.automation.siemens.com/WW/CAXorder/default.aspx?lang=en&mlfb=3SE22430XX30>

Service&Support (Manuals, Certificates, Characteristics, FAQs,...)

<http://support.automation.siemens.com/WW/view/en/3SE22430XX30/all>

Image database (product images, 2D dimension drawings, 3D models, device circuit diagrams, EPLAN macros, ...)

http://www.automation.siemens.com/bilddb/cax_de.aspx?mlfb=3SE22430XX30&lang=en



last modified:

16.03.2015