

REAR CONNECTING STUD ROUND SHORT 1 PCS. ACCESSORY  
FOR: 3VA5/6 400/600



| Model               |             |
|---------------------|-------------|
| Product brand name  | SETRON      |
| Product designation | accessories |

| Certificates             |     |                           |       |
|--------------------------|-----|---------------------------|-------|
| General Product Approval | EMC | Declaration of Conformity | other |



[Miscellaneous](#)

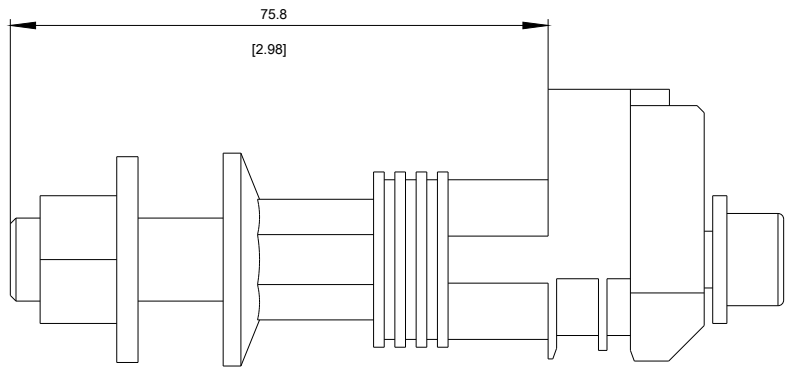
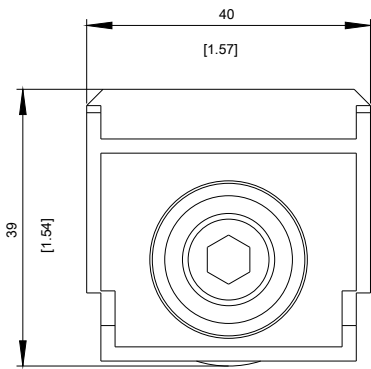
### Further information

**Information- and Downloadcenter (Catalogs, Brochures,...)**  
<http://www.siemens.com/lowvoltage/catalogs>

**Industry Mall (Online ordering system)**  
<https://mall.industry.siemens.com/mall/en/en/Catalog/product?mfb=3VA9471-0QF10>

**Service&Support (Manuals, Certificates, Characteristics, FAQs,...)**  
<https://support.industry.siemens.com/cs/ww/en/ps/3VA9471-0QF10>

**Image database (product images, 2D dimension drawings, 3D models, device circuit diagrams, ...)**  
[http://www.automation.siemens.com/bilddb/cax\\_en.aspx?mfb=3VA9471-0QF10](http://www.automation.siemens.com/bilddb/cax_en.aspx?mfb=3VA9471-0QF10)



**last modified:**

08/28/2017