






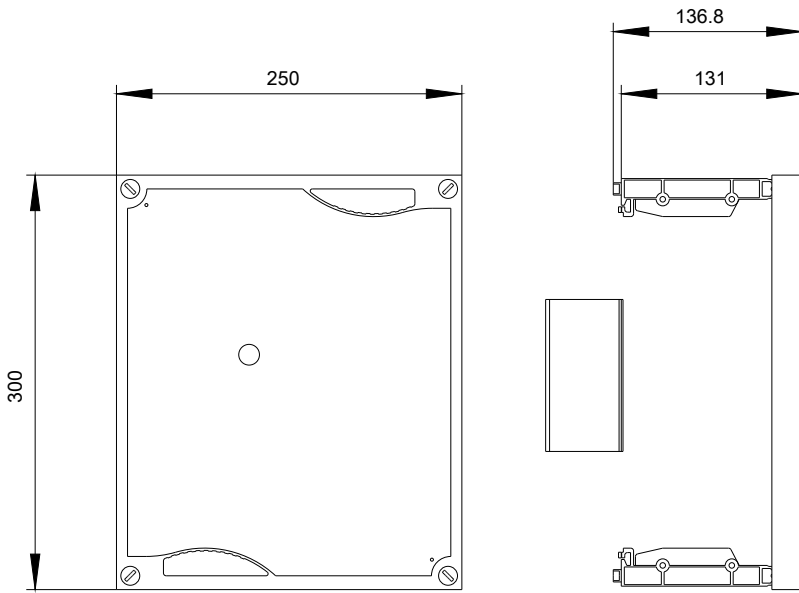
ASSEMBLY KIT 3KA SWITCH DISC. FOR 3KA 50 / 51 ON SUPPORT PLATE

## Accessories

accessories		others
General Product Approval	Declaration of Conformity	Test Certificates
 GOST		<a href="#">other</a>
	 EG-Konf.	<a href="#">Type Test Certificates/Test Report</a>
		<a href="#">Special Test Certificate</a>

## Further information

- Information- and Downloadcenter (Catalogs, Brochures,...)**  
<http://www.siemens.com/lowvoltage/catalogs>
- Industry Mall (Online ordering system)**  
<https://eb.automation.siemens.com/mall/en/WW/Catalog/Product/8GK47073KK17>
- Service&Support (Manuals, Certificates, Characteristics, FAQs,...)**  
<http://support.automation.siemens.com/WW/view/en/8GK47073KK17/all>
- Image database (product images, 2D dimension drawings, 3D models, device circuit diagrams, ...)**  
[http://www.automation.siemens.com/bilddb/cax\\_en.aspx?mlfb=8GK47073KK17](http://www.automation.siemens.com/bilddb/cax_en.aspx?mlfb=8GK47073KK17)
- CAX-Online-Generator**  
<http://www.siemens.com/cax>
- Tender specifications**  
<http://ausschreibungstexte.siemens.com/tiplv>



last modified:

11.03.2015