

Lens

for Digital Camera and weQube with C mount

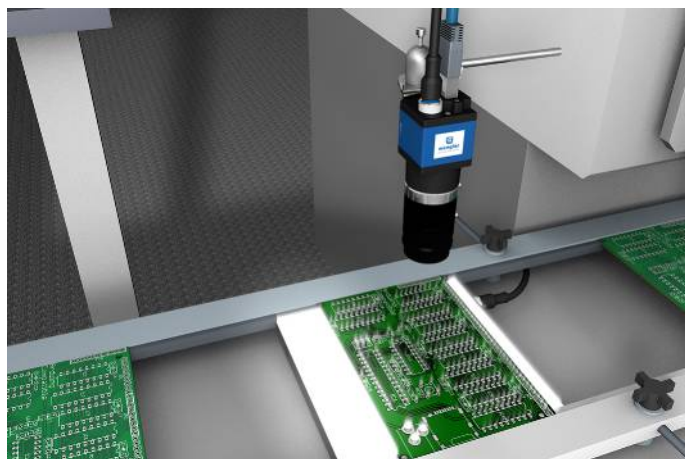
LAC75-28-K01

Part Number



- Adjustable aperture
- Adjustable focus
- Fixed focal length lens with C mount threaded connection

Fixed focal length lenses with C mount threaded connection can be used, for example, on Smart Cameras with C mount connection. Adjustable f-stops and adjustable focus offer greatest possible variability for the implementation of complex vision applications.



Technical Data

Optical Data

Focal Distance 75 mm

Mechanical Data

Lens thread C-Mount

Aperture adjustable

Aperture arrestable

Adjustable Range Aperture F 2,8...22

Minimum object distance 1100 mm

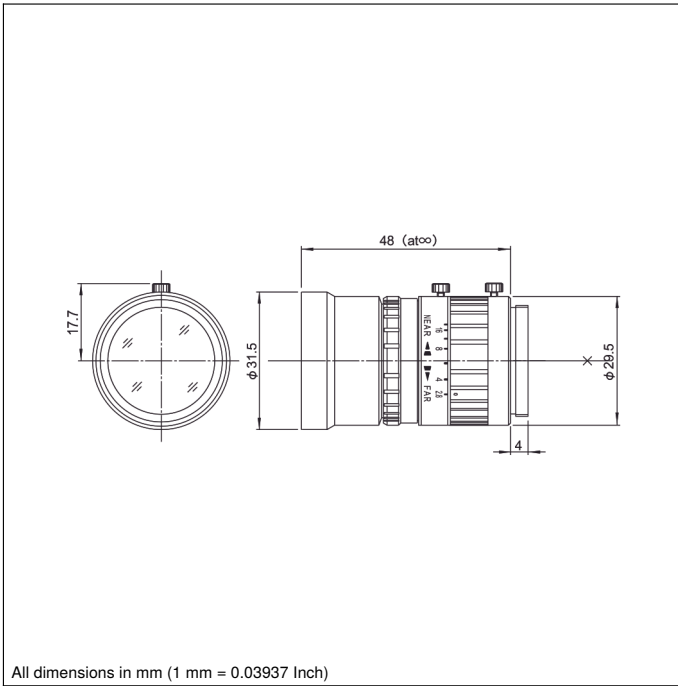
Filter Screw Size M30,5 × 0,5 mm

Temperature Range -10...50 °C

Packaging unit 1 Piece

Complementary Products

Allen Key with Threaded Pins Z0070



Field of vision for Smart Cameras with C-Mount

Working Distance	1500 mm	2000 mm
Visual Field	85 × 54	115 × 73

