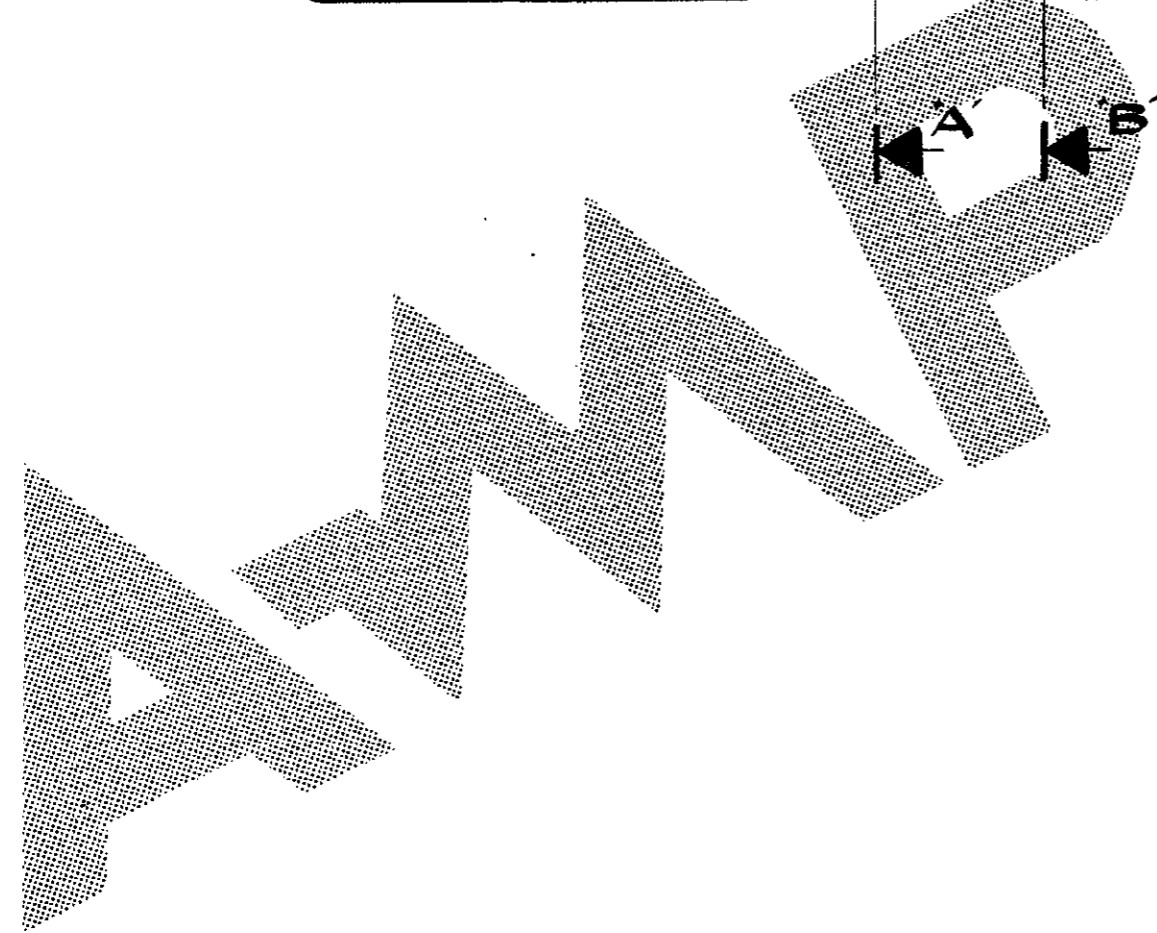
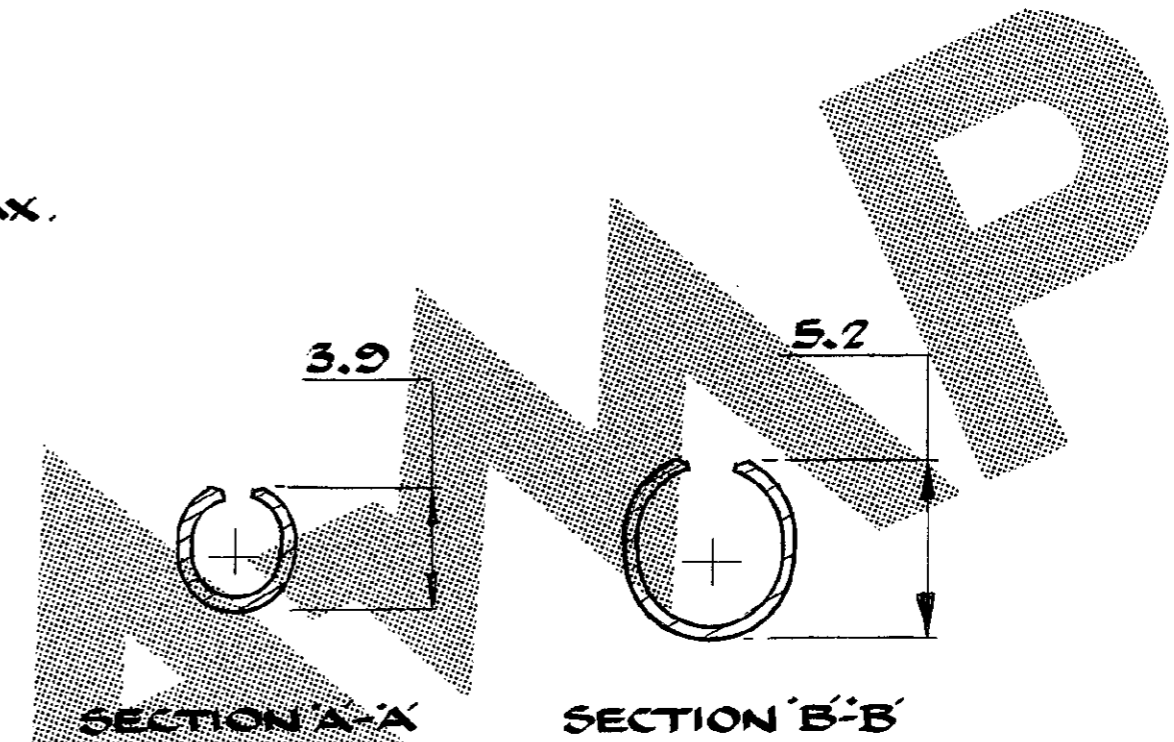
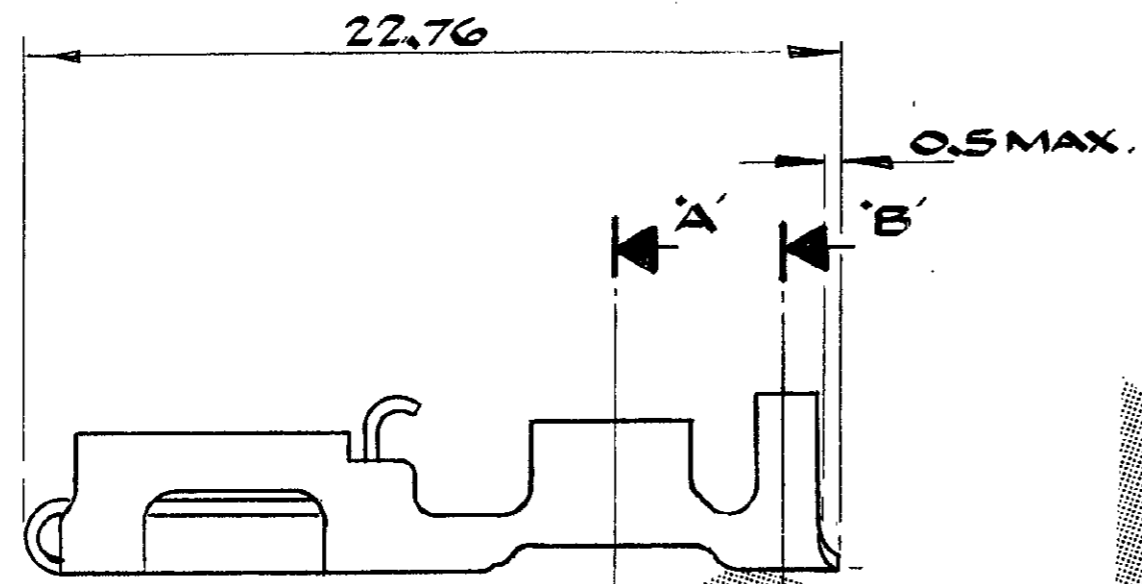
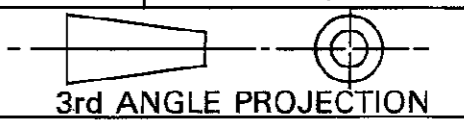


**DO NOT SCALE**  
DIMENSIONS IN m.m.

**METRIC**



	SILVER PLT.	BRASS	341001-9
	SILVER PLT.	PHOS. BRONZE	341001-8
	PRE-TIN	PHOS. BRONZE	341001-7
	PRE-TIN	BRASS	341001-6
	NONE	PHOS. BRONZE <sup>LOW</sup>	341001-5
	ELECTRO-TIN	PHOS. BRONZE	341001-4
	ELECTRO-TIN	BRASS	341001-3
	NONE	PHOS. BRONZE	341001-2
	NONE	BRASS	341001-1

OTHER TREATMENT	FINISH	MATERIAL	PART NUMBER
<b>CUSTOMER DWG</b>		RELEASED FOR PUBLICATION 10 OCT 1989	
FOR REFERENCE ONLY		© COPYRIGHT 1989 BY AMP OF GREAT BRITAIN LTD. ALL INTERNATIONAL RIGHTS RESERVED. AMP PRODUCTS MAY BE COVERED BY BRITISH AND FOREIGN PATENTS AND/OR PATENTS PENDING.	
	TOLERANCES UNLESS OTHERWISE STATED:- DEC ± 0.5 ANGLES ± 1°	INS. DIA. RANGE 3.6-4.3	WIRE RANGE 2.5-4.0mm
		SCALE 5:1	
		<b>AMP</b> TERMINAL HOUSE, STANMORE, MIDDX.	
		NAME <b>POSITIVE LOCK RECP.</b>	
		<b>PRE-FORMED LOOSE PIECE</b>	
		A3	LOC. DWG. NO. SHEET
		E	C341001 1 of 1