

CLIFF

SLIM GASKETS & DUST COVERS

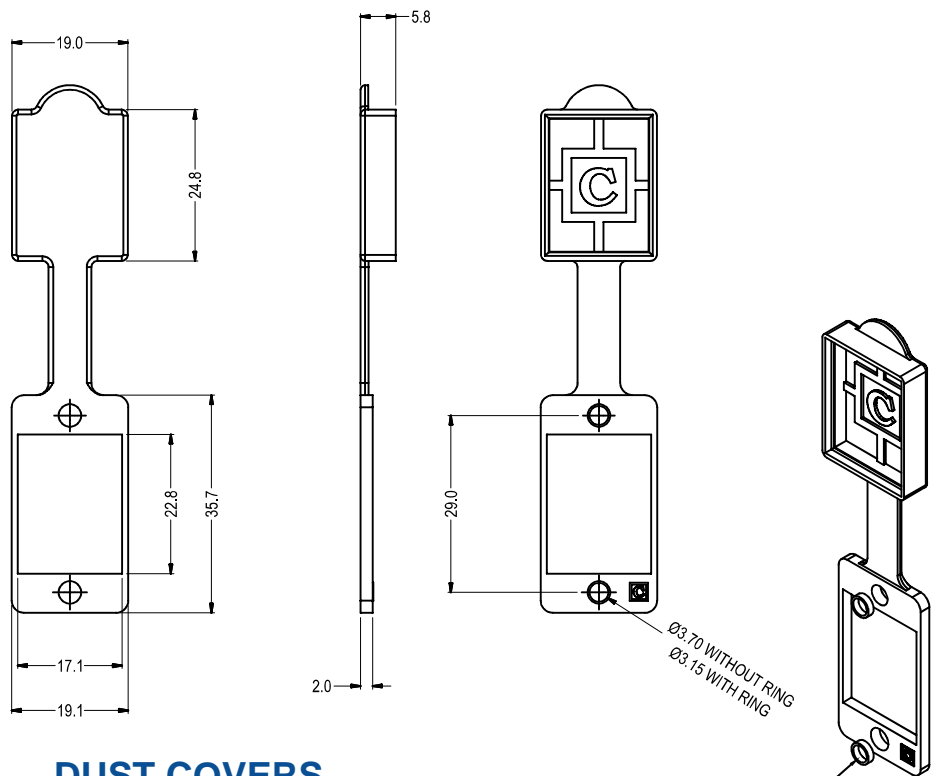
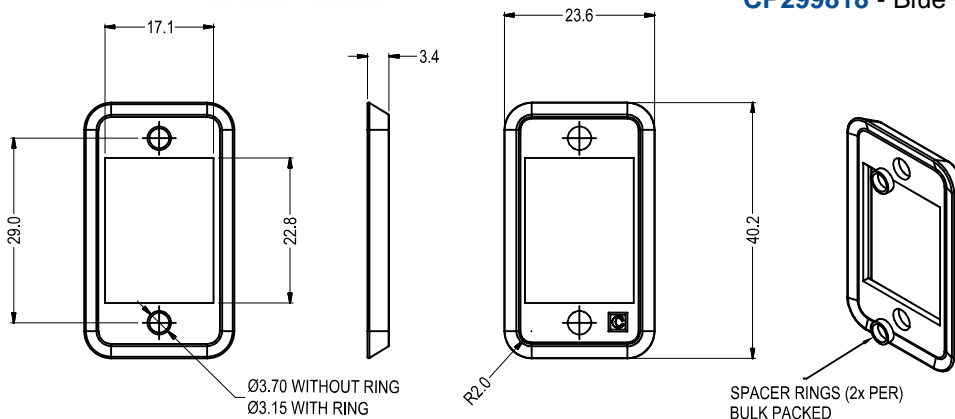
Our range of gaskets and dust covers fit most of our Slim feedthrough connectors. They function as dust seals and for colour identification. Useable on plastic and metal models, the range consists of a plain gasket and a gasket with a dust cover. (Models with dust caps are not used on fibre connectors as these have their own dust caps). They are all supplied with brass spacers. Using spacers can improve the sealing function and fit. Available in 4 colours.



GASKETS

For use on Slim and Dualslim models and with our 16 hole 1U rack panel.

- CP299812 - Black Gasket
- CP299815 - Green Gasket
- CP299817 - Red Gasket
- CP299818 - Blue Gasket



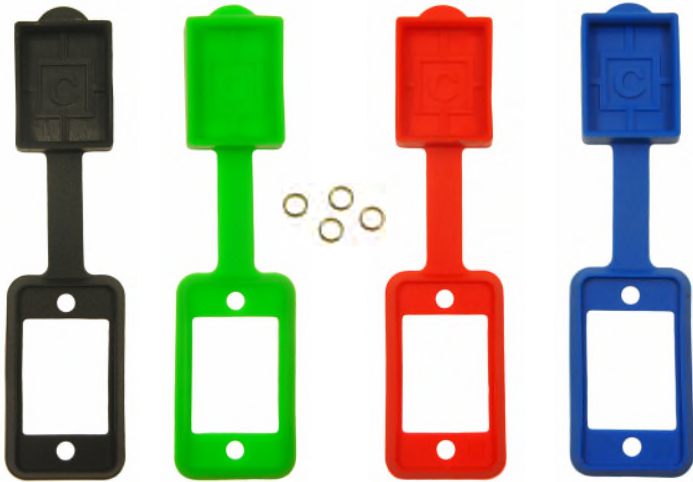
DUST COVERS

For use on Dualslim countersunk hole models only, and our 16 and 20 hole 1U rack panels.

- CP299832 - Black Dust Cap
- CP299835 - Green Dust Cap
- CP299837 - Red Dust Cap
- CP299838 - Blue Dust Cap



SLIM GASKETS



GASKET WITH DUST CAP

For use on Dualslim countersunk hole models only, and our 16 hole 1U rack panel.

- CP299822 - Black Gasket with Dust cap
- CP299825 - Green Gasket with Dust cap
- CP299827 - Red Gasket with Dust cap
- CP299828 - Blue Gasket with Dust cap

