

B7020239

ERGO-CASE L, flach

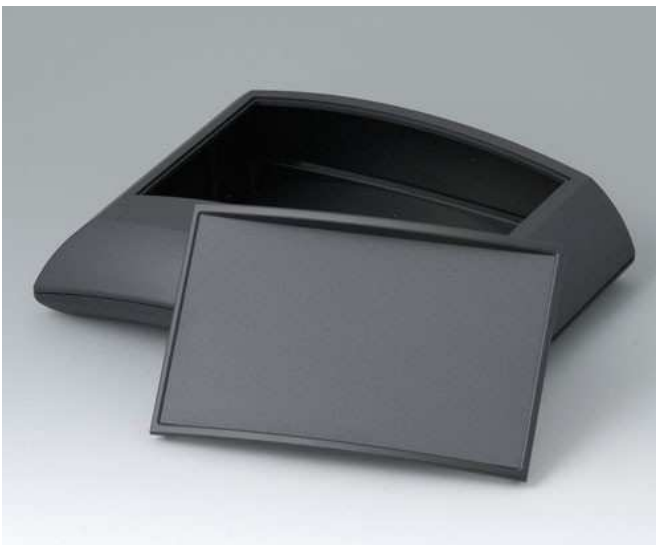
Ergonomisch geformtes Gehäusedesign zum Tragen am Körper. Vertieft liegendes Bedienfeld zum Schutz der Folientastatur. Plane Fläche für individuelle Schnittstellen an der Stirnseite.

Ausführung

Mit flachem Oberteil und Displayblende

Lieferumfang

1 Ober- und Unterteil, Displayblende, Montage-Set



TECHNISCHE DATEN

Material	ABS (UL 94 HB)	Länge	150 mm
Schutzart	IP 40	Breite	200 mm
Farbe	schwarz RAL 9005	Höhe	54 mm
Standards	RoHS konform, REACH konform	Bitte die Maße an aktuellen Teilen abnehmen. Diese unterliegen material- und produktionsspezifischen Fertigungstoleranzen.	

Die Schutzartangaben beziehen sich auf Leergehäuse (ohne Modifikationen) unter Einhaltung der Normbedingungen nach EN 60529.

KAUFMÄNNISCHE DATEN

Gewicht/1 Stück	253 g
Warentarifnummer (OKW Produkt)	39269097
Herstellungsland	Deutschland

KUNDENSPEZ. MODIFIKATIONEN

B7020239

ERGO-CASE L, flach

Was benötigen Sie für Ihr persönliches Produkt? Bei Bedarf liefern wir Ihnen die Gehäuse/Drehknöpfe einbaufertig mit allen notwendigen Modifikationen und Veredelungen. Wir beraten Sie gerne. Fragen Sie an!

Produktoptionen für B7020239



Mechanische
Bearbeitung



Bedruckung



Laserbeschriftung



Dekorfolien



Sondermaterial



EMV Schutz



Konfektion / Montage

B7020239

ERGO-CASE L, flach

ZUBEHÖR "WAND/HALTER"



A9178007
 Kontakte, männlich
 vergoldet



B7110028
 Befestigungselemente L / M / S
 PA 6
 vulkan



B7120048
 Wandhalter-Set L
 PA 6
 vulkan

ZUBEHÖR "TRAGEN"



B7110028
 Befestigungselemente L / M / S
 PA 6
 vulkan



B7110139
 Gurtband
 schwarz
 1200x30mm



B7110149
 Gurtband
 schwarz
 1500x30mm

ZUBEHÖR "SCHRAUBEN"

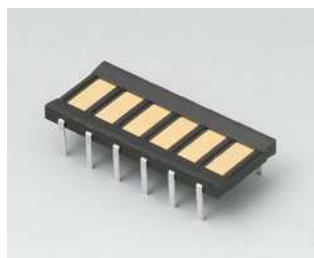


A0305031
 Selbstformende Schraube 2,5 x
 6 mm (PZ1)

ZUBEHÖR



A9178007
 Kontakte, männlich
 vergoldet

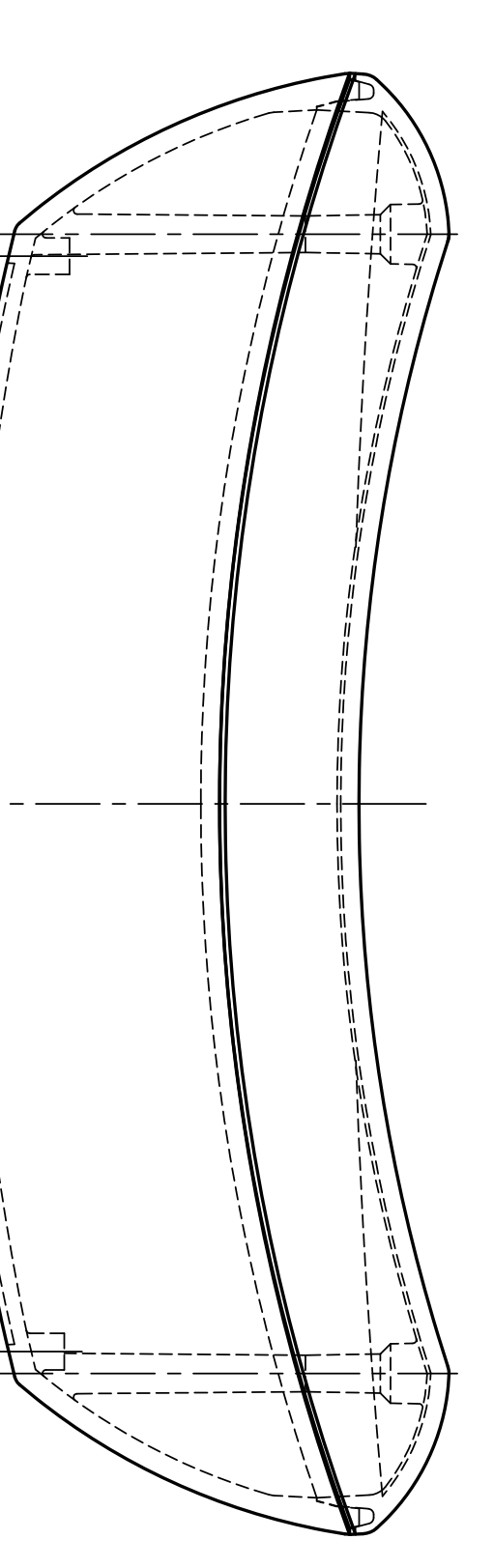
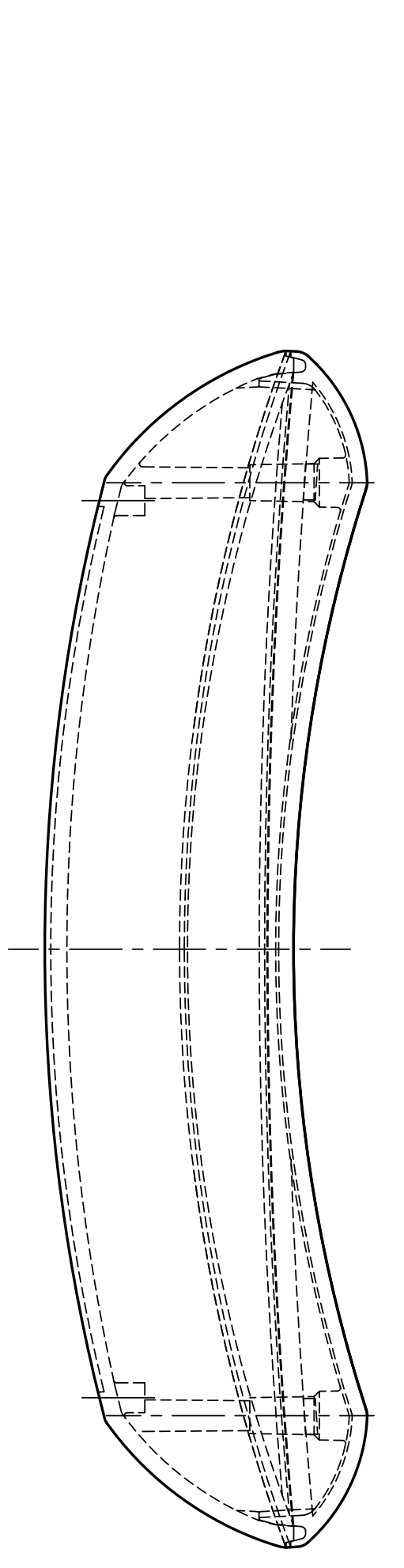
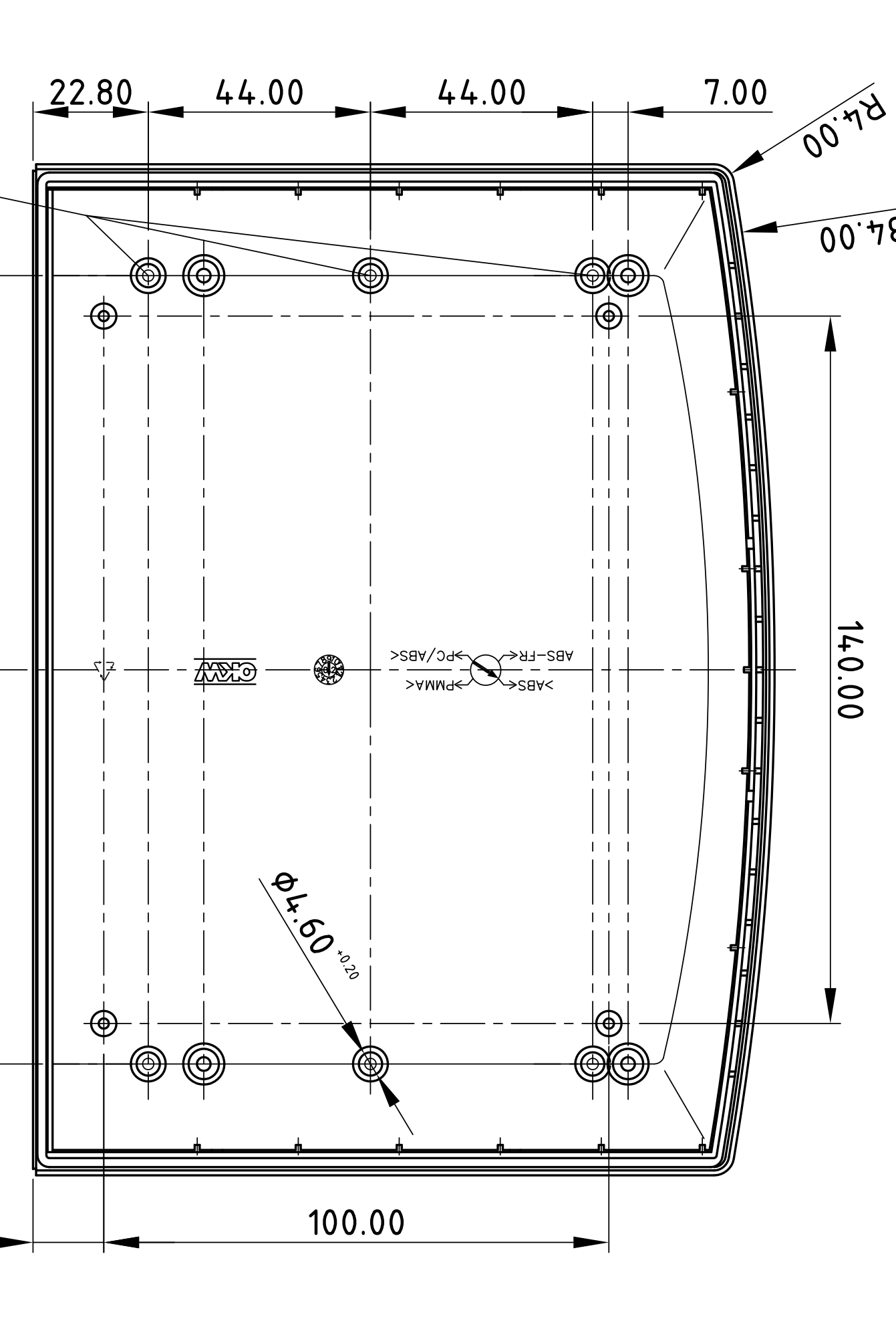
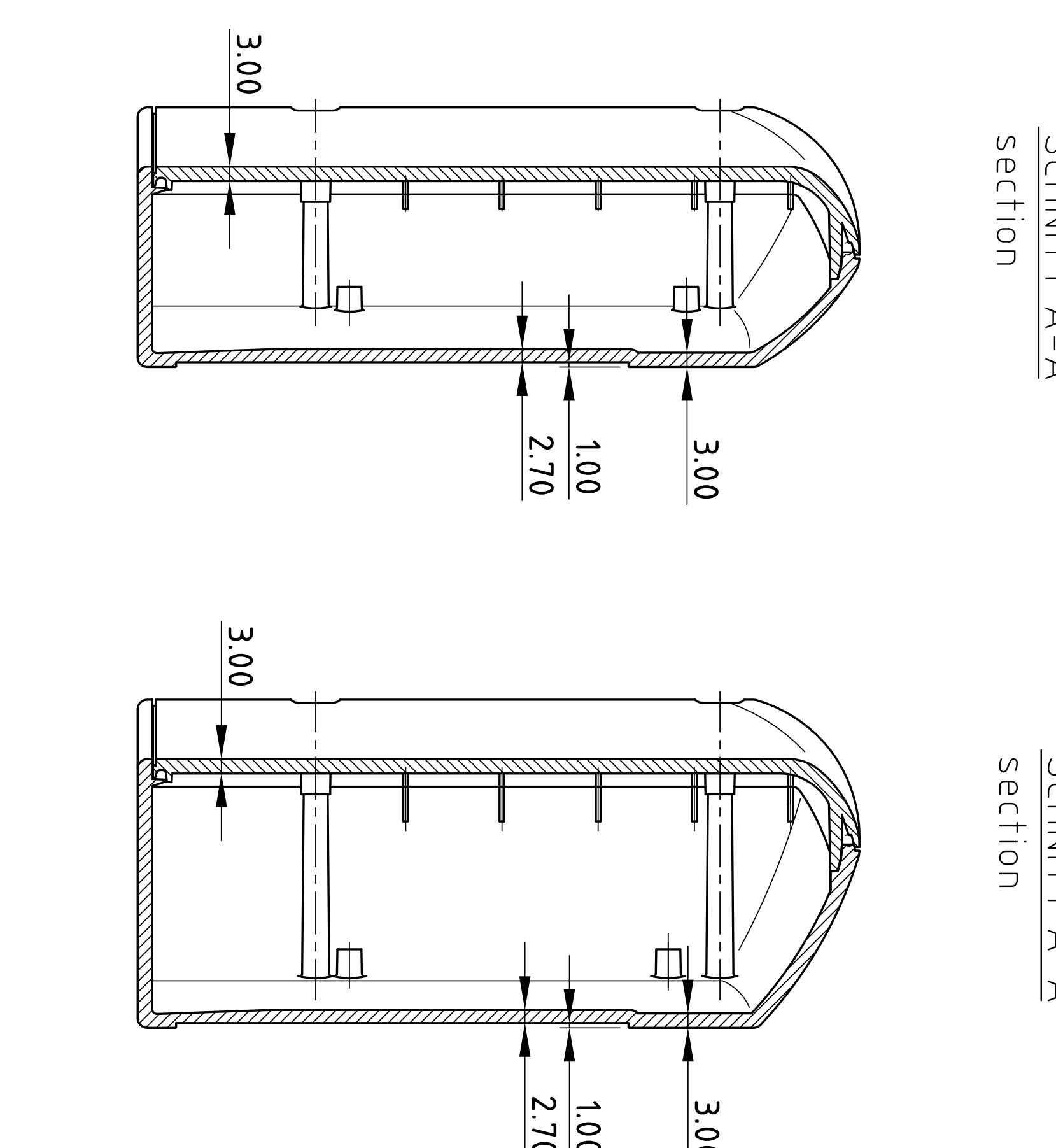
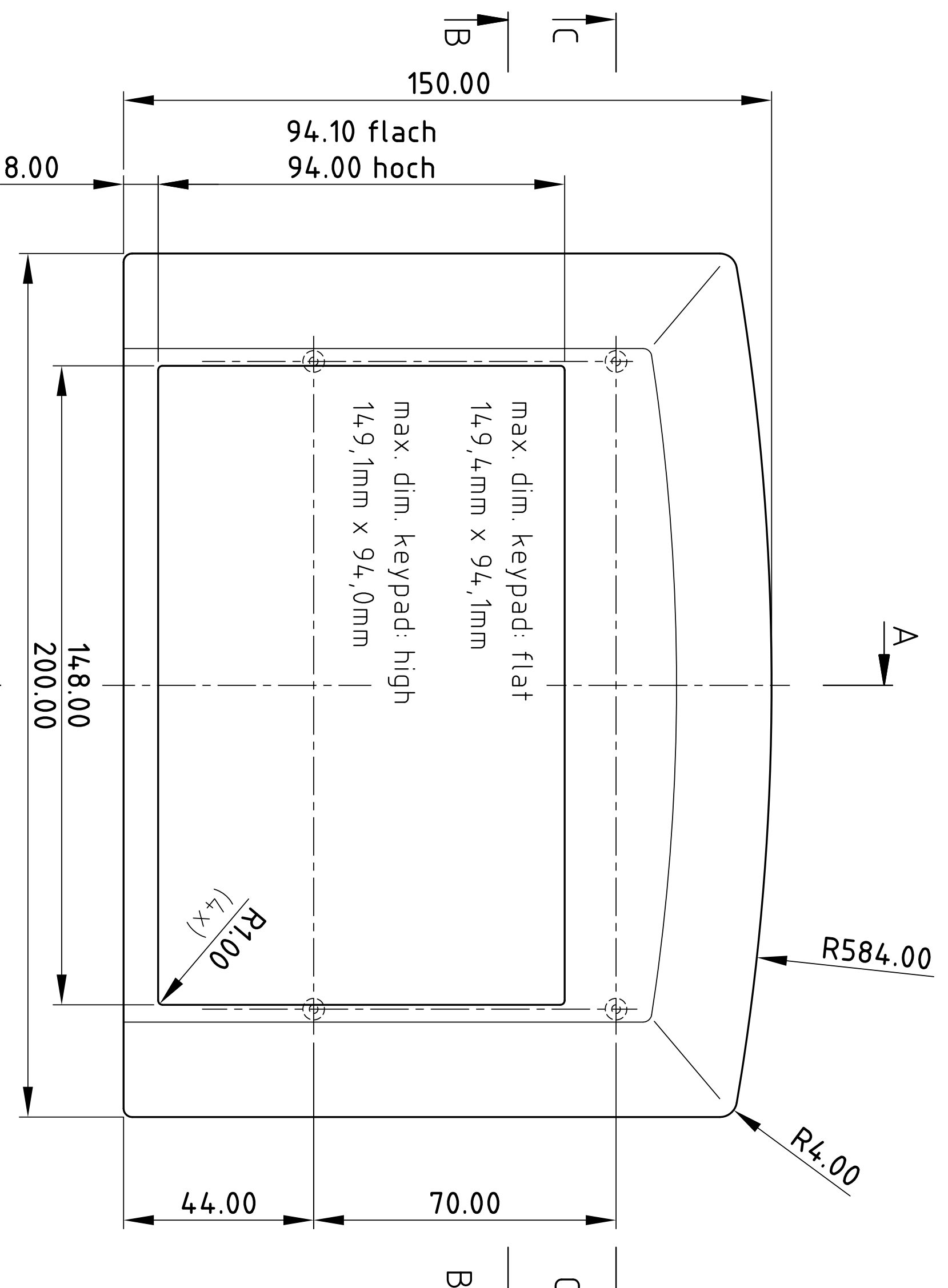
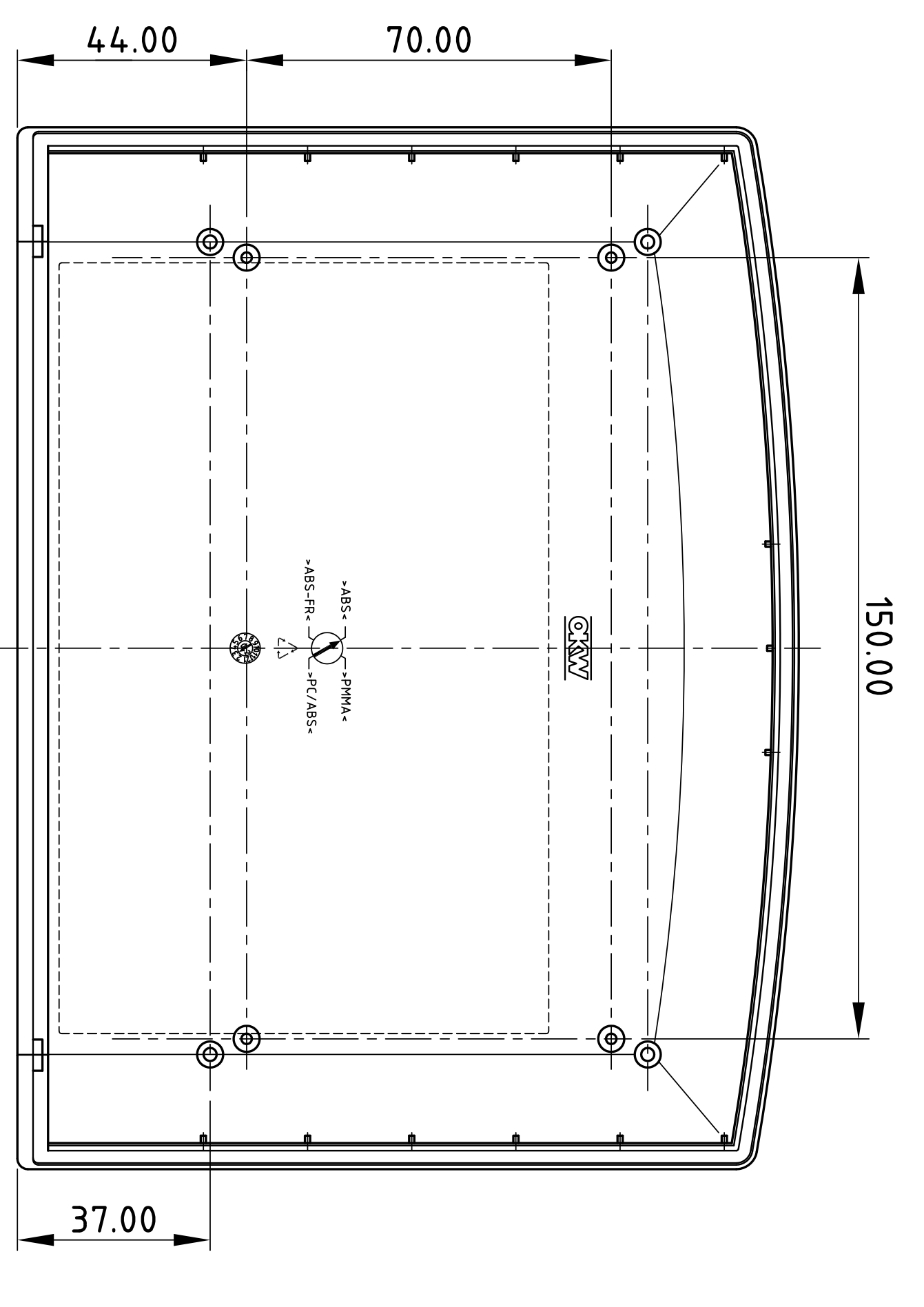
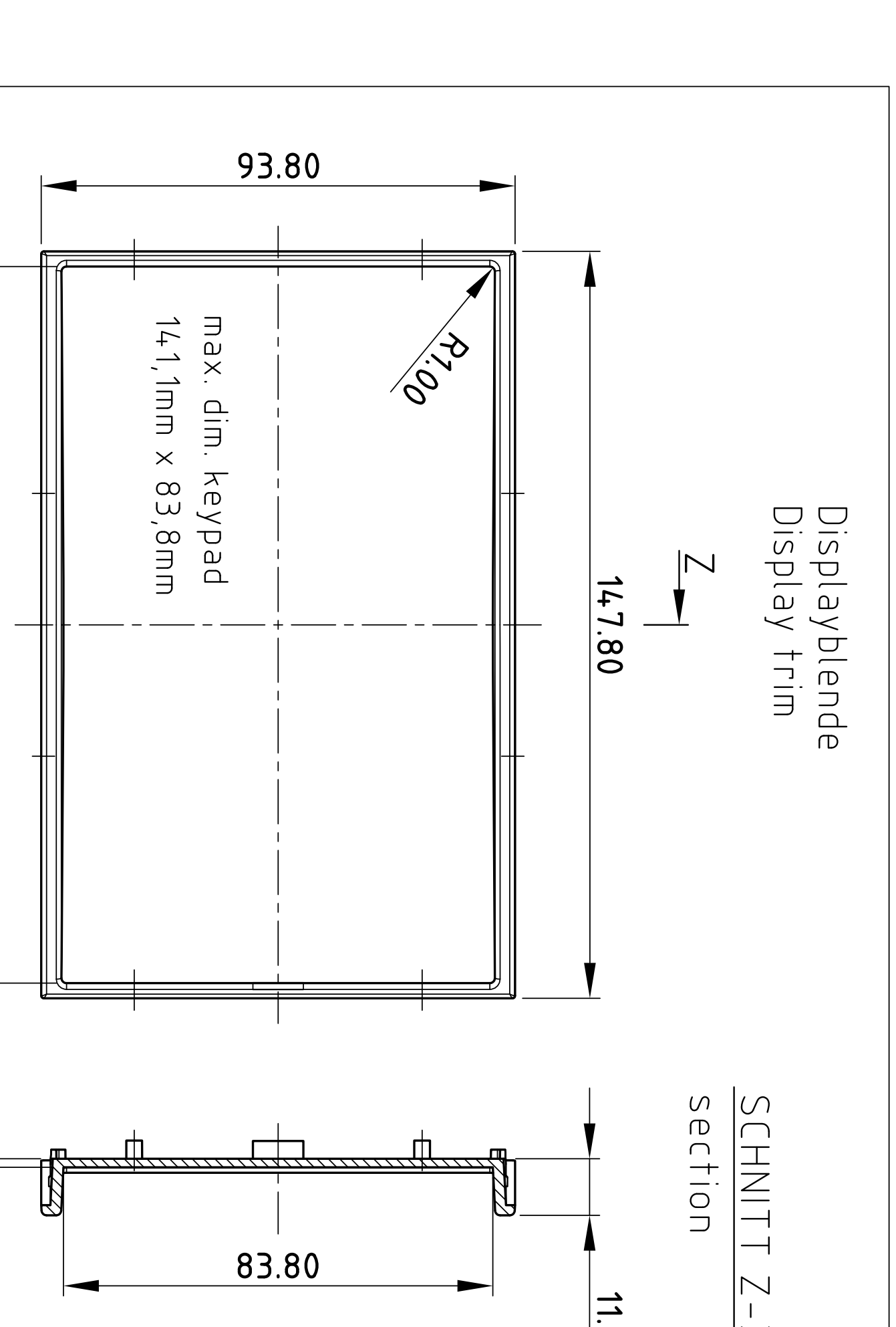
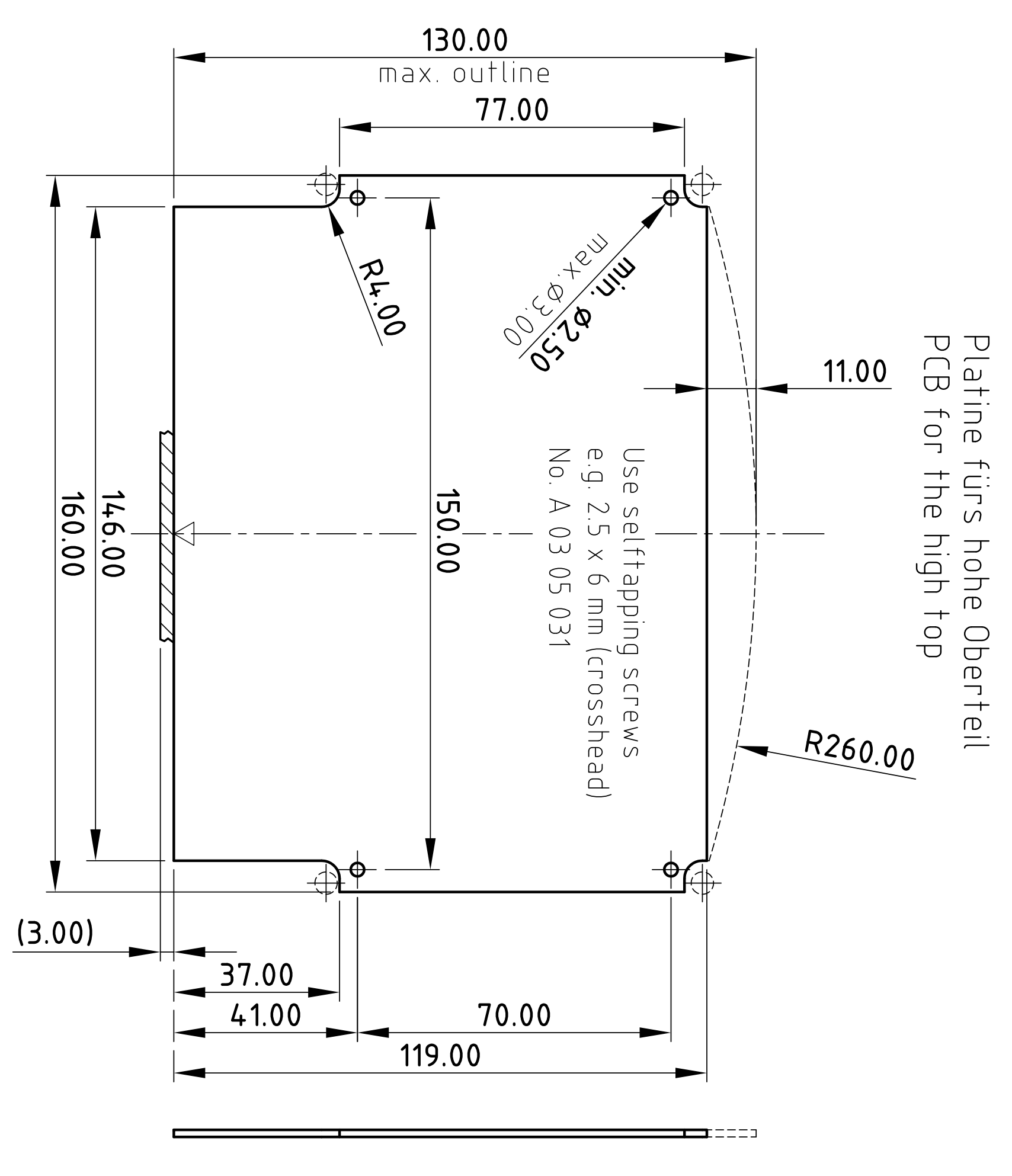
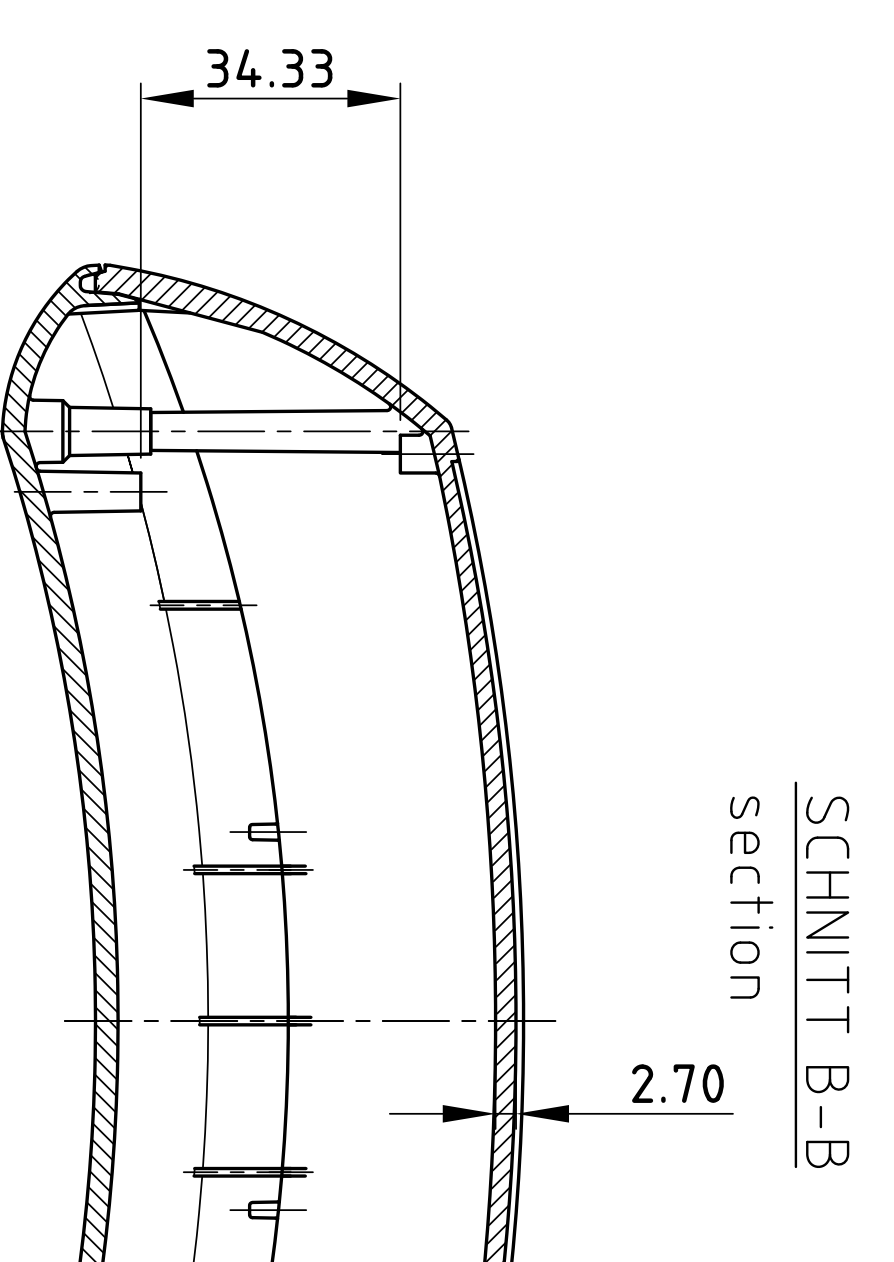
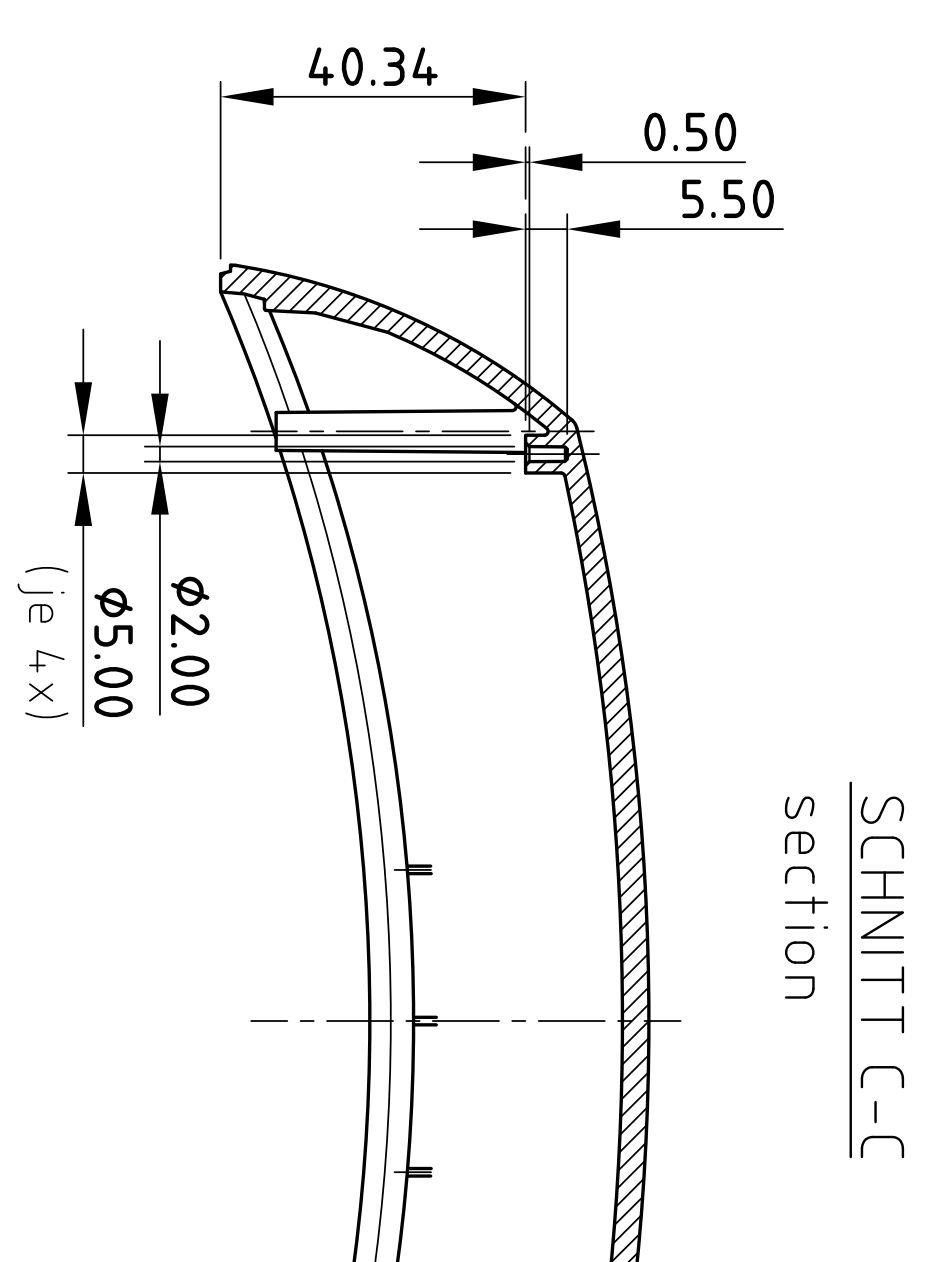
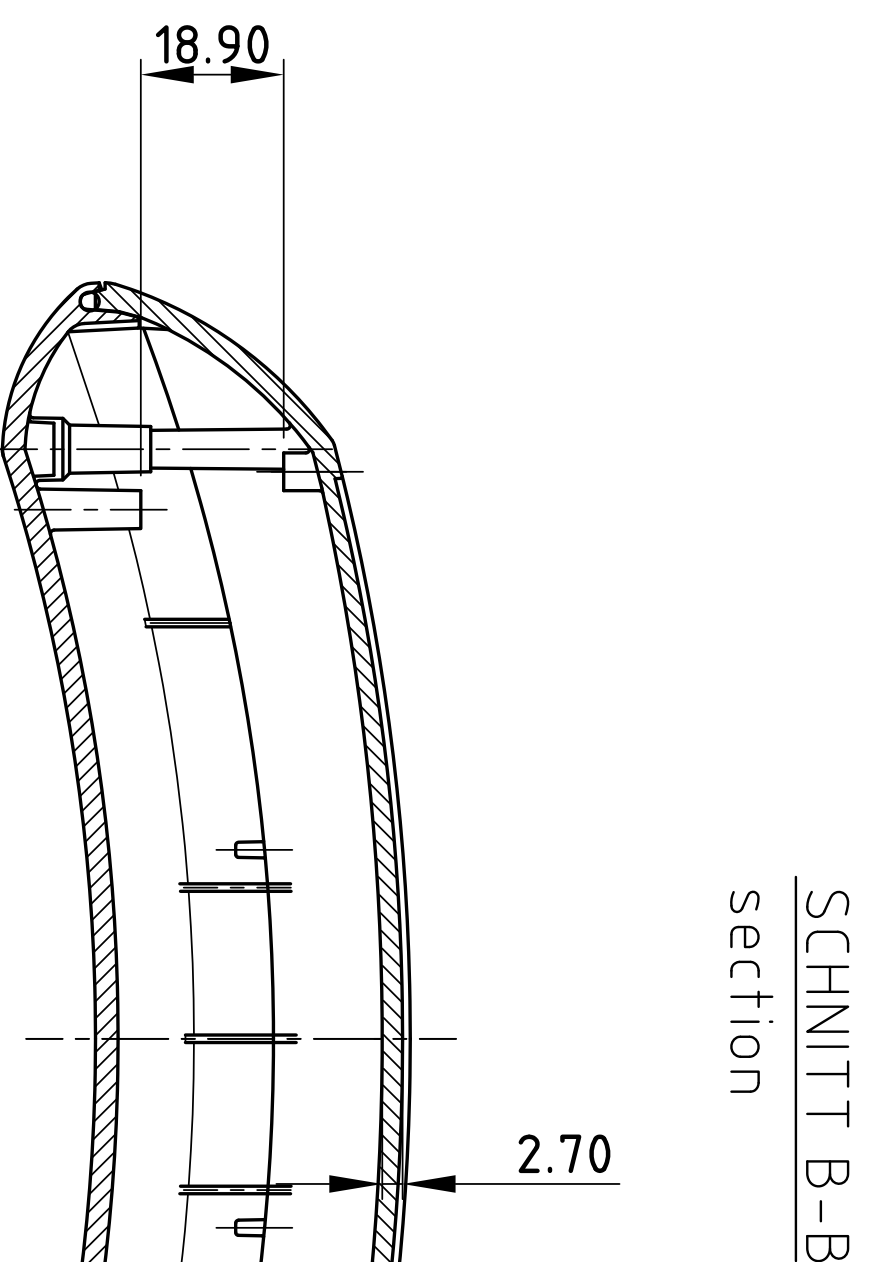
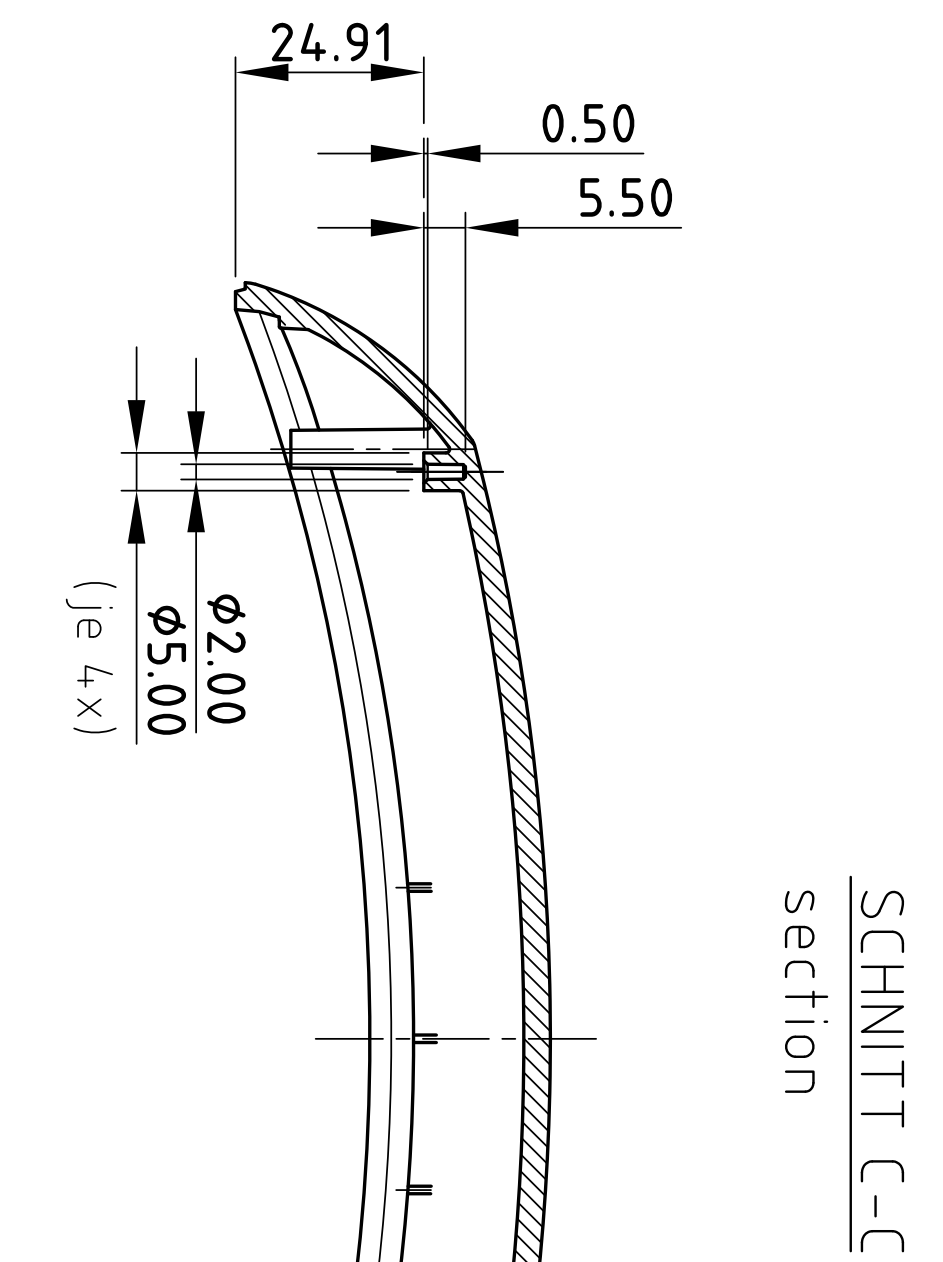
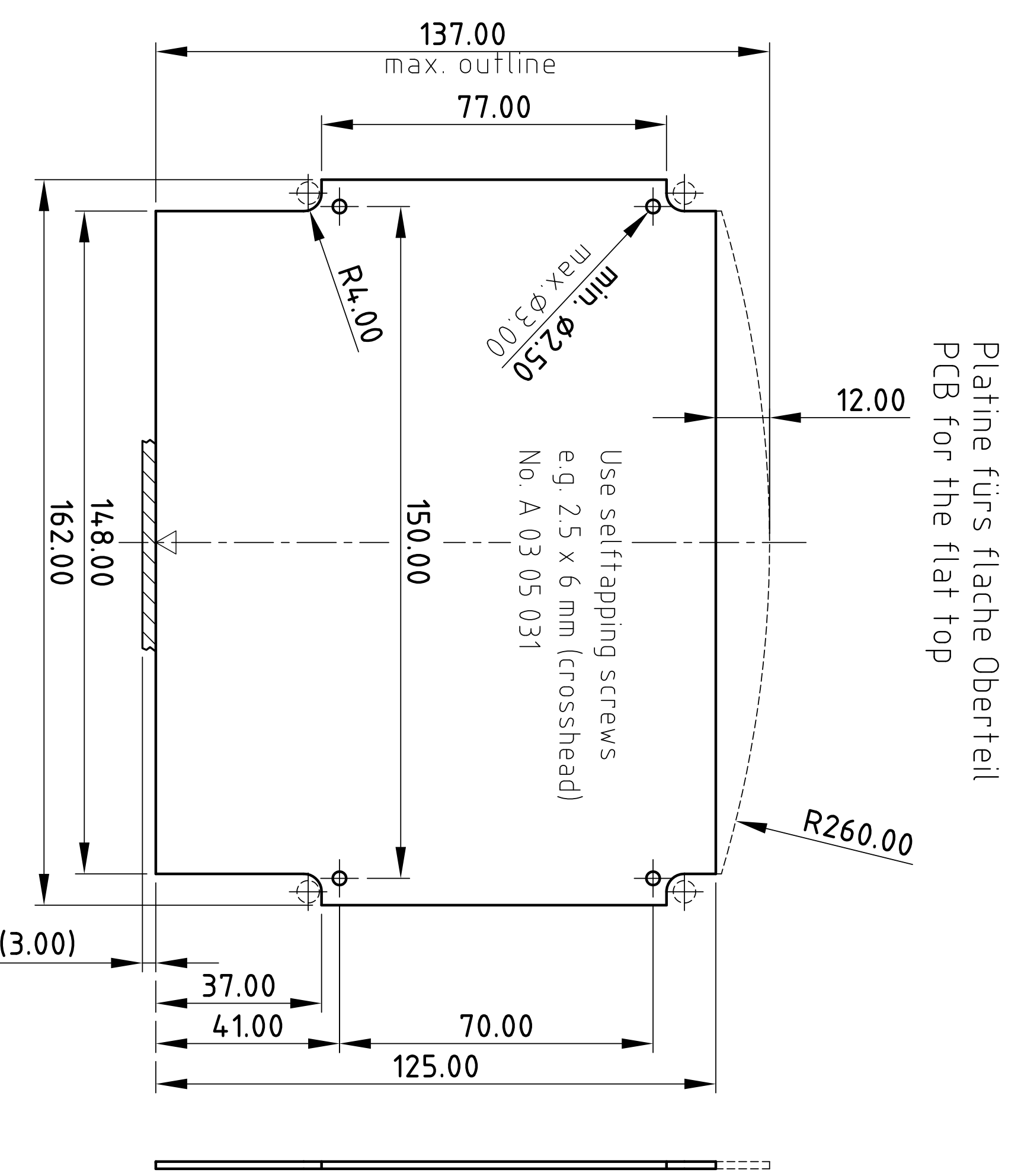


A9178008
 Kontakte, weiblich
 vergoldet

B7020239

ERGO-CASE L, flach

Technische Änderungen vorbehalten. © OKW Gehäusesysteme, Buchen/Deutschland.



Information: **Copy for Information** (not for production)
 The information in this document is for information only. It is not intended for production. The user is responsible for the correct use of the information. The information is subject to change without notice. The information is provided as is. The information is not a contract. The information is not a warranty. The information is not a guarantee. The information is not a liability. The information is not a responsibility. The information is not a disclaimer. The information is not a limitation. The information is not a restriction. The information is not a prohibition. The information is not a recommendation. The information is not a suggestion. The information is not a requirement. The information is not a condition. The information is not a term. The information is not a condition. The information is not a term.

GEHÄUSE SYSTEME
 ERGO-CASEL
 ohne Befestigung F/H

Information: **Copy for Information** (not for production)
 The information in this document is for information only. It is not intended for production. The user is responsible for the correct use of the information. The information is subject to change without notice. The information is provided as is. The information is not a contract. The information is not a warranty. The information is not a guarantee. The information is not a liability. The information is not a responsibility. The information is not a disclaimer. The information is not a limitation. The information is not a restriction. The information is not a prohibition. The information is not a recommendation. The information is not a suggestion. The information is not a requirement. The information is not a condition. The information is not a term. The information is not a condition. The information is not a term.

GEHÄUSE SYSTEME
 ERGO-CASEL
 ohne Befestigung F/H

Information: **Copy for Information** (not for production)
 The information in this document is for information only. It is not intended for production. The user is responsible for the correct use of the information. The information is subject to change without notice. The information is provided as is. The information is not a contract. The information is not a warranty. The information is not a guarantee. The information is not a liability. The information is not a responsibility. The information is not a disclaimer. The information is not a limitation. The information is not a restriction. The information is not a prohibition. The information is not a recommendation. The information is not a suggestion. The information is not a requirement. The information is not a condition. The information is not a term. The information is not a condition. The information is not a term.

GEHÄUSE SYSTEME
 ERGO-CASEL
 ohne Befestigung F/H

Information: **Copy for Information** (not for production)
 The information in this document is for information only. It is not intended for production. The user is responsible for the correct use of the information. The information is subject to change without notice. The information is provided as is. The information is not a contract. The information is not a warranty. The information is not a guarantee. The information is not a liability. The information is not a responsibility. The information is not a disclaimer. The information is not a limitation. The information is not a restriction. The information is not a prohibition. The information is not a recommendation. The information is not a suggestion. The information is not a requirement. The information is not a condition. The information is not a term. The information is not a condition. The information is not a term.

GEHÄUSE SYSTEME
 ERGO-CASEL
 ohne Befestigung F/H

Information: **Copy for Information** (not for production)
 The information in this document is for information only. It is not intended for production. The user is responsible for the correct use of the information. The information is subject to change without notice. The information is provided as is. The information is not a contract. The information is not a warranty. The information is not a guarantee. The information is not a liability. The information is not a responsibility. The information is not a disclaimer. The information is not a limitation. The information is not a restriction. The information is not a prohibition. The information is not a recommendation. The information is not a suggestion. The information is not a requirement. The information is not a condition. The information is not a term. The information is not a condition. The information is not a term.

GEHÄUSE SYSTEME
 ERGO-CASEL
 ohne Befestigung F/H