

**Two-Piece Sealed Circular Plastic Connectors, Series 6**

**CPC Connectors, Series 6  
Sealed – Reverse Sex**



Listed part numbers are for connectors only; **contacts must be ordered separately.**

**Material**

**Housing**—Nylon, glass-filled UL rated 94V-0, black

**Related Product Data**

**Contacts**—Pages 17-21 and 47

**Accessories**—Page 51

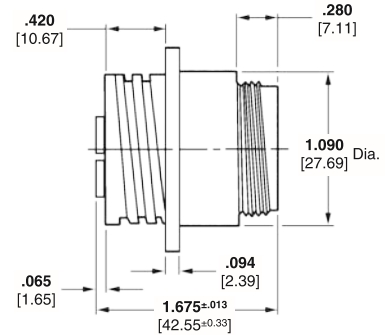
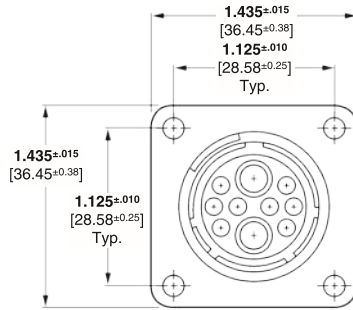
**Application Tooling**—Pages 76-79

**Technical Documents**—Page 80

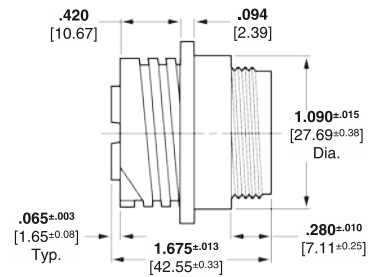
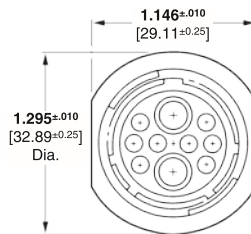
**Replacement Coupling Ring**

Shell Size	Part No.
17-10	213810-1

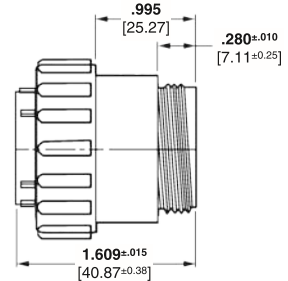
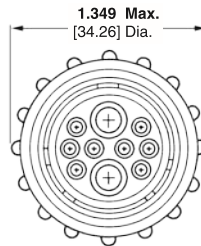
**Square Flange Receptacle** (Uses Flange Seal **Part No. 81665-2** on page 51)



**Free-Hanging Receptacle**



**Plug**



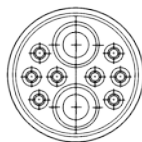
**Reverse Sex** (Receptacles accept socket contacts, Plugs accept pin contacts)

Arrangement	Square Flange Receptacle	Free-Hanging Receptacle	Plug
17-10 Connector	213893-2	213894-2	213906-1
17-10 Wire Entry Seal Kit	213900-1	213900-1	213900-1

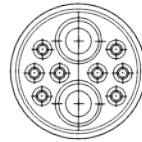
Kit includes (1) Silicon Wire Entry Seal and (1) Pressure Plate.  
\*Wire entry seals require cable clamp kits.

**Wire Entry Seal\***

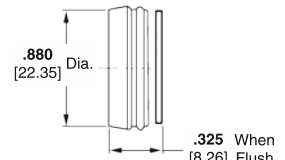
\*Cable clamp kit 213902-3 required. (Similar to 206322-9. See page 38 for dimensional detail of cable clamp) or cable clamp kit 213904-3. (Similar to 206070-8. See page 38 for dimensional detail of cable clamp).



**Rear View Receptacles**



**Rear View Plugs**



**Side View Plugs/Receptacles**

**Note:** Minimum insulation diameter is .156 [3.96]; maximum insulation diameter is .260 [6.60] for power contacts. Minimum insulation diameter is .060 [1.50]; maximum insulation diameter is .130 [3.30] for signal contacts.