

AC Axial Fans

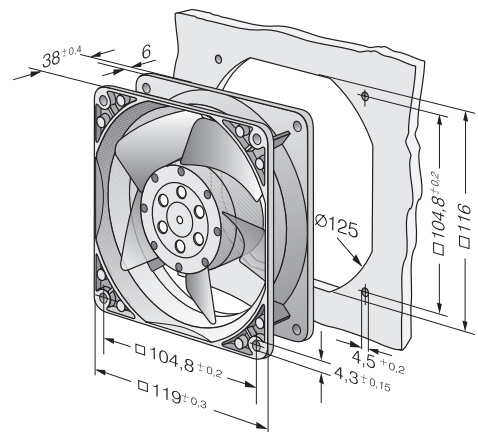
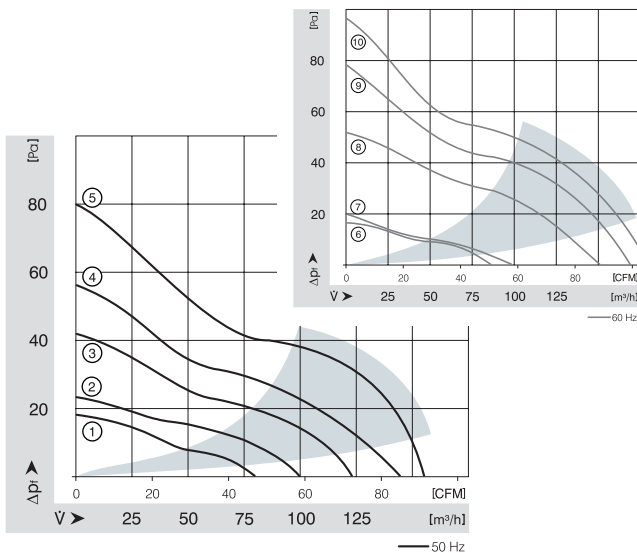
Series 4000 N 119 x 119 x 38 mm



- AC fans with external rotor shaded-pole motor. Impedance protected against overloading.
- Metal fan housing and impeller
- Air intake over struts. Rotational direction CW looking at rotor.
Types 4890 N and 4840 N air exhaust over struts.
- Electrical connection via 2 flat pins 3.0 x 0.5 mm.
- Also available: Models with mounting bosses and single leads.
- Fan housing with ground lug for screw M 4 and UNC.
- Mass 550 g.

ebm-papst St. Georgen

Nominal Data	Air Flow		Nominal Voltage	Frequency	Noise		Sinter-Sleeve Bearings Ball Bearings	Power Input	Nominal Speed	Temperature Range	Service Life L ₁₀		Curve
	m ³ /h	CFM			V	Hz					dB(A)	Bel	
4890 N	80	47.1	230	50	25	4.0	■	11.0	1 550	-10...+70	55 000 / 27 500	1	
4850 N	100	58.9	230	50	32	4.4	■	10.0	1 800	-10...+70	57 500 / 27 500	2	
4580 N	123	72.4	230	50	41	5.2	■	18.0	2 350	-10...+55	40 000 / 27 500	3	
4550 N	145	85.3	230	50	44	5.4	■	16.5	2 550	-10...+55	42 500 / 30 000	4	
4650 N	160	94.2	230	50	46	5.4	■	19.0	2 650	-10...+55	37 500 / 27 500	5	
4656 N	160	94.2	230	50	47	5.5	■	19.0	2 650	-40...+85	37 500 / 15 000	5	
4840 N	85	50.0	115	60	26	4.1	■	10.0	1 650	-10...+75	57 500 / 25 000	6	
4800 N	97	57.1	115	60	32	4.3	■	9.0	1 750	-10...+75	60 000 / 27 500	7	
4530 N	151	88.9	115	60	45	5.4	■	16.0	2 700	-10...+65	42 500 / 25 000	8	
4500 N	169	99.5	115	60	48	5.7	■	15.0	3 000	-10...+65	47 500 / 25 000	9	
4600 N	180	105.9	115	60	50	5.7	■	18.0	3 100	-10...+60	40 000 / 25 000	10	
4606 N	180	105.9	115	60	51	5.8	■	18.0	3 100	-40...+90	40 000 / 15 000	10	



AC Axial Fans

Series 4000 Z 119 x 119 x 38 mm



- AC fans with external rotor shaded-pole motor. Impedance protected against overloading.
- Metal fan housing and impeller .
- Air exhaust over struts. Rotational direction CW looking at rotor.
- Electrical connection via 2 flat pins 2.8 x 0.5 mm.
- Also available: Models with mounting bosses and single leads.
- Fan housing with ground lug and screw M4 x 8 (TORX).
- Mass 540 g.

ebm-papst St. Georgen

Nominal Data	Air Flow		Nominal Voltage	Frequency	Noise		Sinter-Sleeve Bearings Ball Bearings	Power Input	Nominal Speed	Temperature Range	Service Life L ₁₀		Curve
	m ³ /h	CFM			V	Hz					dB(A)	Bel	
4850 Z	100	58.9	230	50	26	4.0	□	13.0	1 700	-10...+65	50 000 / 27 500	1	
4856 Z	100	58.9	230	50	26	4.0	■	13.0	1 700	-40...+75	50 000 / 20 000	1	
4580 Z	115	67.7	230	50	30	4.3	□	13.0	1 900	-10...+65	50 000 / 27 500	2	
4586 Z	115	67.7	230	50	30	4.3	■	13.0	1 900	-40...+75	50 000 / 20 000	2	
4650 Z	160	94.2	230	50	40	5.3	□	19.0	2 650	-10...+50	37 500 / 30 000	3	
4656 Z	160	94.2	230	50	40	5.3	■	19.0	2 650	-40...+75	37 500 / 17 500	3	
4800 Z	105	61.8	115	60	28	4.1	□	12.0	1 800	-10...+70	52 500 / 25 000	4	
4806 Z	105	61.8	115	60	28	4.1	■	12.0	1 800	-40...+75	52 500 / 17 500	4	
4530 Z	120	70.6	115	60	32	4.4	□	12.0	2 000	-10...+70	52 500 / 25 000	5	
4536 Z	120	70.6	115	60	32	4.4	■	12.0	2 000	-40...+75	52 500 / 17 500	5	
4600 Z	180	105.9	115	60	45	5.6	□	18.0	3 100	-10...+60	40 000 / 25 000	6	
4606 Z	180	105.9	115	60	45	5.6	■	18.0	3 100	-40...+85	40 000 / 15 000	6	

