

- 1
- 2
- 3
- 4
- 5
- 6
- 7
- 8
- 9
- 10
- 11
- 12
- 13
- 14
- 15
- 16
- 17
- 18

**MATERIAL**

Natural steel, turned finish.

**STANDARD EXECUTIONS**

H7 reamed hole.

- **GN 264:** natural finish.
- **GN 264-MCR:** chrome-plated matte finish.
- **GN 264-MCRS:** chrome-plated matte finish, with scale d1/100-RA-0-10-20 ... 90/10, 100 marks, numbering from 0 to 90 increases as the knob is turned clockwise.

**FEATURES AND APPLICATIONS**

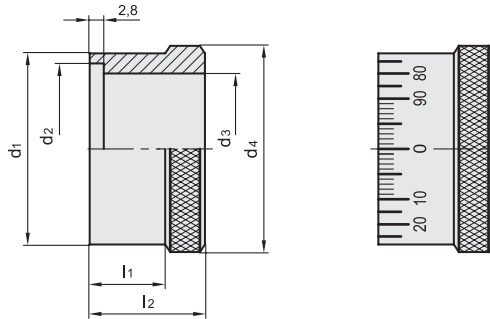
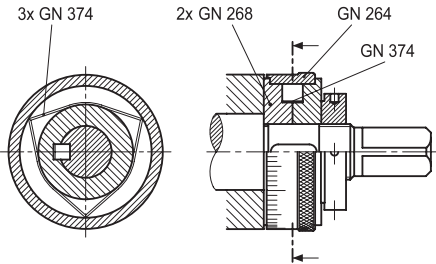
To complete the range of the graduated rings are available as standard accessories base flanges type GN 615 (see page 439) and flat springs GN 374 (see page 614).

**SPECIAL EXECUTIONS ON REQUEST**

Laser-engraved precision graduations (see Graduations on page 611).



Control mechanisms composition



Code	Description	d1	d3 H7	d2	d4	l1	l2	N°2 Base flanges	N°3 Flat springs	⚖️
GN.56801	GN 264-30	30	24	27	33	16	23.7	GN 268-24-K...	GN 374-0,3-10	49
GN.56802	GN 264-30-MCR	30	24	27	33	16	23.7	GN 268-24-K...	GN 374-0,3-10	49
GN.56803	GN 264-30-MCRS	30	24	27	33	16	23.7	GN 268-24-K...	GN 374-0,3-10	49
GN.56804	GN 264-40	40	32	36	43	16	23.7	GN 268-32-K...	GN 374-0,4-10	86
GN.56805	GN 264-40-MCR	40	32	36	43	16	23.7	GN 268-32-K...	GN 374-0,4-10	86
GN.56806	GN 264-40-MCRS	40	32	36	43	16	23.7	GN 268-32-K...	GN 374-0,4-10	86
GN.56807	GN 264-60	60	50	55	63	16	25.7	GN 268-50-K...	GN 374-0,6-10	177
GN.56808	GN 264-60-MCR	60	50	55	63	16	25.7	GN 268-50-K...	GN 374-0,6-10	177
GN.56809	GN 264-60-MCRS	60	50	55	63	16	25.7	GN 268-50-K...	GN 374-0,6-10	177
GN.56810	GN 264-80	80	68	75	83	16	25.7	GN 268-68-K...	GN 374-0,8-10	282
GN.56811	GN 264-80-MCR	80	68	75	83	16	25.7	GN 268-68-K...	GN 374-0,8-10	282
GN.56812	GN 264-80-MCRS	80	68	75	83	16	25.7	GN 268-68-K...	GN 374-0,8-10	282

Control elements