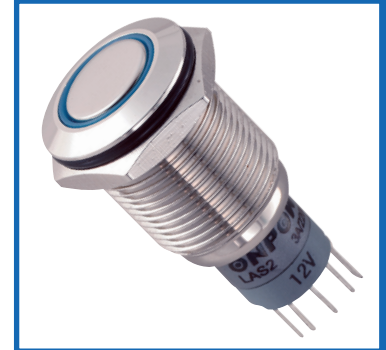


## 16mm IP67 Vandal Resistant Push Button Switch Blue LED Ring Latching Flush Nickel



### DESCRIPTION

A stainless steel bodied tamper-proof switch designed to be resistant to accidental damage and attack by vandals.

The switch features a blue LED illuminating ring that can be controlled by the switch or by external circuitry.

### DISTINCTIVE FEATURES

- IP67 Rated
- Max. switching current 3A AC
- Switching voltage 250V AC
- Blue LED ring
- Latching operation
- LED not polarity sensitive
- SPDT Contacts
- Mounting diameter 16mm
- Built-in LED resistor
- Separate LED connections

### APPLICATIONS

Perfect for harsh use in potentially hostile settings such as public areas, industrial environments and building management applications. Suitable for installation in kiosks, lifts, pedestrian crossings and ticket machines. Provides a solution for requirements in extreme temperatures, dust, rain, snow, ice, dirt and moisture.

3A  
AC

250V  
AC

Ø  
16mm

Illuminated  
Ring

Latching



## ELECTRICAL SPECIFICATION

Switching AC Current Rating	3A																																												
Switching AC Voltage Rating	250V																																												
Switch Rating																																													
<table border="1"> <thead> <tr> <th colspan="3">Rated Insulation Voltage <math>U_i</math></th> <th colspan="4">250V</th> </tr> <tr> <th colspan="3">Thermal Current <math>I_{th}</math></th> <th colspan="4">5A</th> </tr> <tr> <th colspan="3">Rated voltage</th> <th>12V</th> <th>24V</th> <th>110V</th> <th>220V</th> </tr> </thead> <tbody> <tr> <td rowspan="4">Rated Operation Current</td> <td rowspan="2">AC 50/60Hz</td> <td>Resistive load</td> <td>—</td> <td>—</td> <td>1A</td> <td>0.5A</td> </tr> <tr> <td>Inductive load</td> <td>—</td> <td>—</td> <td>0.7A</td> <td>0.5A</td> </tr> <tr> <td rowspan="2">DC</td> <td>Resistive load</td> <td>1A</td> <td>1A</td> <td>0.2A</td> <td>—</td> </tr> <tr> <td>Inductive load</td> <td>0.7A</td> <td>0.7A</td> <td>0.1A</td> <td>—</td> </tr> </tbody> </table>		Rated Insulation Voltage $U_i$			250V				Thermal Current $I_{th}$			5A				Rated voltage			12V	24V	110V	220V	Rated Operation Current	AC 50/60Hz	Resistive load	—	—	1A	0.5A	Inductive load	—	—	0.7A	0.5A	DC	Resistive load	1A	1A	0.2A	—	Inductive load	0.7A	0.7A	0.1A	—
Rated Insulation Voltage $U_i$			250V																																										
Thermal Current $I_{th}$			5A																																										
Rated voltage			12V	24V	110V	220V																																							
Rated Operation Current	AC 50/60Hz	Resistive load	—	—	1A	0.5A																																							
		Inductive load	—	—	0.7A	0.5A																																							
	DC	Resistive load	1A	1A	0.2A	—																																							
		Inductive load	0.7A	0.7A	0.1A	—																																							
Contact Resistance	$\leq 50m\Omega$																																												
Insulation Resistance	$\geq 1000M\Omega$																																												
Dielectric Strength	1500V AC																																												
LED Voltage	12V AC/DC *																																												
LED Current	15mA approx.																																												
Withstand Voltage max.	2000V AC 50Hz 60s																																												

\*Note: There are protective resistor in the lamp



## GENERAL SPECIFICATION

Size	Ø 16mm
Type	Vandal resistant push button switch
Button Style	Flat circular
Illumination Style	Ring
LED Colour	Blue
Operation	Latching
Contacts	SPDT
Operating force (max)	1.5 to 2N
Mechanical Life	200,000 Cycles
Electrical Life (@ Rated Load)	50,000 Cycles
LED Life	40,000 Hours



## MATERIALS

Housing	Nickel-plated brass
Button	Stainless Steel
Base	PBT
Contact	Silver Alloy



## ENVIRONMENTAL/OPERATING SPECIFICATION

Operating Temperature	-25°C to +55°C
Operating Humidity	45 to 85% RH (Non condensing )
IP Rating	IP67 *
Soldering	320°C (or 30W soldering iron) no more than 2s
Vibration Resistance	50Hz, amplitude about 1.2mm
Shock Resistance	>10g

\* IP67 is for enclosure only



## TERMINALS

Type	Solder Tags 2 × 0.5mm
------	-----------------------



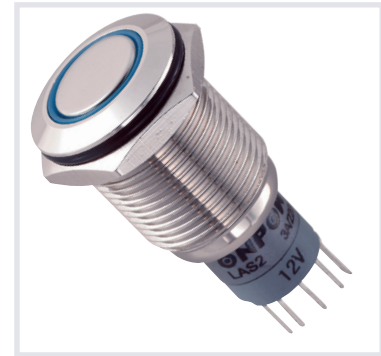
## OPTIONS

Custom LED voltages	e.g. 6, 12, 24, 110, 220V AC/DC
Illumination Type	e.g. dot, ring, tricolour dot/ring, power symbol
LED Colours	e.g. Blue, green, red, white, yellow orange
Front Type	e.g. Flat, prominent,concave, prominent concave
Body Material	Stainless steel, aluminium alloy, nickel-plated brass
Protection	e.g. IP65, IP67

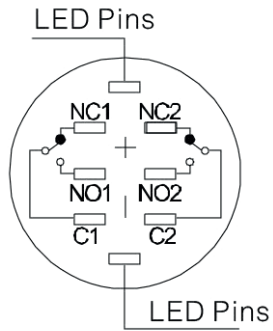


## DIMENSIONS/DRAWINGS

Dimensions	mm
Panel Thickness	1 to 10mm
Panel Cutout	16mm
Torque	0.6Nm



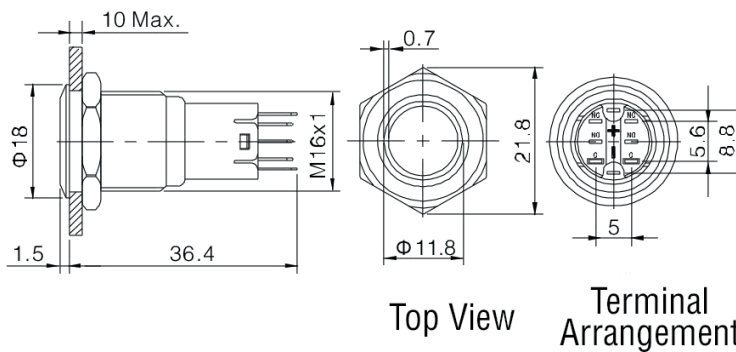
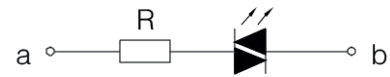
## Terminal Description



Two sets at most.

C1,NO1,NC1 and C2,NO2,NC2 are one set respectively; C is commonused, NO is normal opened,NC is normal closed; +, - are lamp terminals,the standard LED have no difference of anode and cathode; Lamp and switch are relatively independent and canuse switch or peripheral circuit to control the lamp state.

## LED Schematic



Top View

Terminal Arrangement



## PART NUMBER TABLE

Part Number	EAN	UNSPSC	Country of origin
52-4590	5053556006021	39122244	China

# R-TECH

Tried & trusted technology

**Important Notice:** This data sheet and its contents (the "Information") belong to Rapid Electronics Limited or are licensed to it. No licence is granted for the use of it other than for information purposes in connection with the products to which it relates. No licence of any intellectual property rights is granted. The Information is subject to change without notice and replaces all data sheets previously supplied. The Information supplied is believed to be accurate but Rapid Electronics Limited assumes no responsibility for its accuracy or completeness, any error in or omission from it or for any use made of it. Users of this data sheet should check for themselves the Information and the suitability of the products for their purpose and not make any assumptions based on information included or omitted. Liability for loss or damage resulting from any reliance on the Information or use of it (including liability resulting from negligence or where Rapid Electronics Limited were aware of the possibility of such loss or damage arising) is excluded. This will not operate to limit or restrict Rapid Electronics Limited's liability for death or personal injury resulting from its negligence.