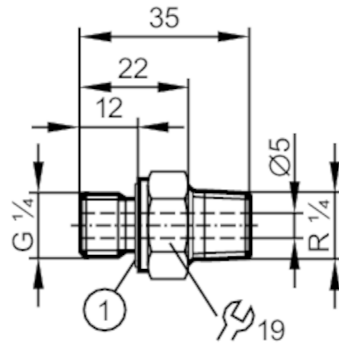


E30427



Screw-in adapter for process sensors

ADAPT G1/4 A - R1/4



1 Process connection sealing

Tests / approvals

Pressure Equipment Directive

A possible classification to PED depends on the application and has to be carried out by the user / operator.

Safety instructions

The compatibility between medium and product material has to be checked in all applications.

Mechanical data

Weight [g]

43.9

Materials

steel (1.0718 / 12L13); Process connection sealing: FKM (DIN 3869)

Sensor connection

G 1/4

Process connection

R 1/4

Remarks

Pack quantity

1 pcs.