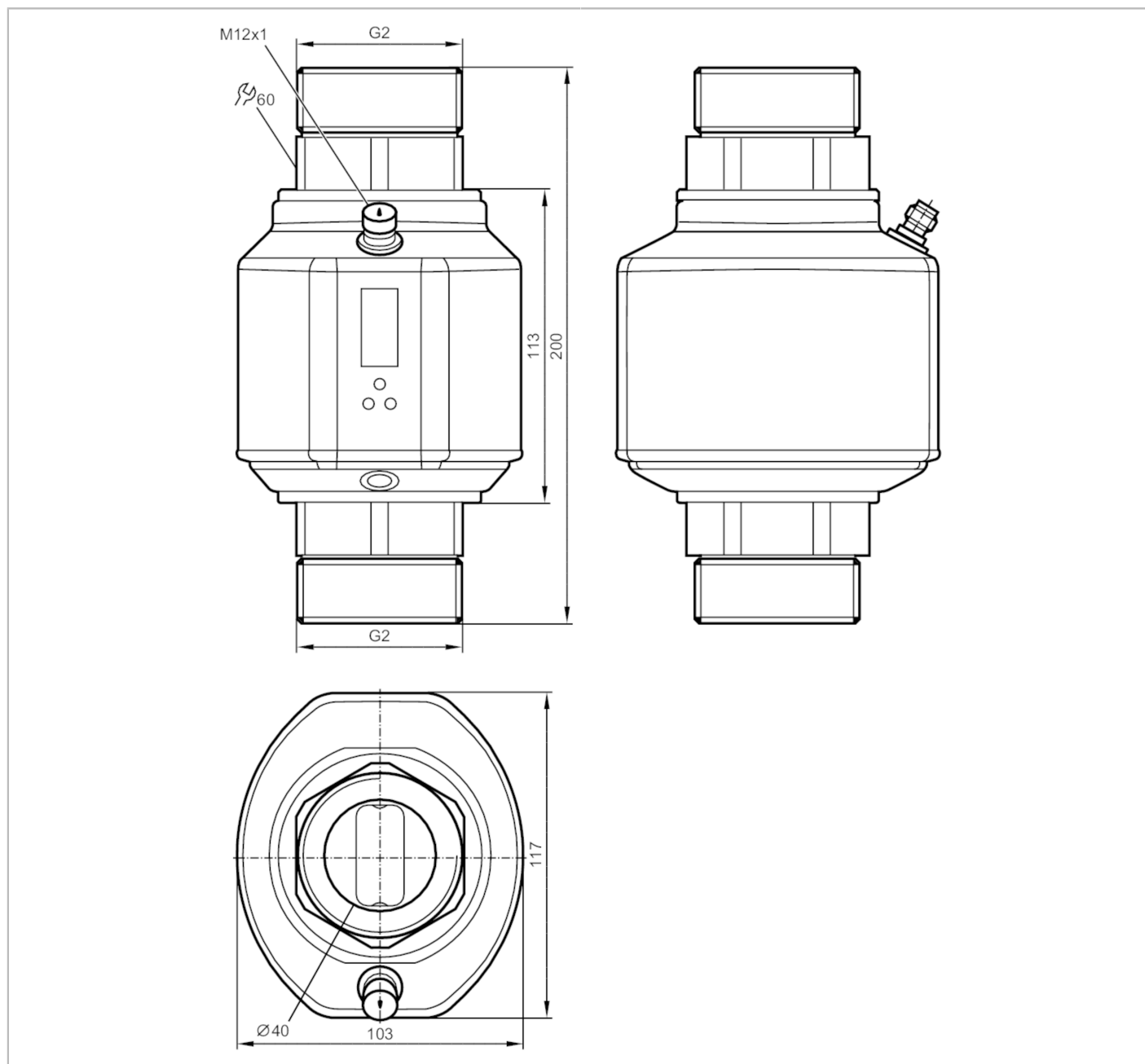


SM9001



Magnetic-inductive flow meter

SMR21XGXFRKG/US



Product characteristics

Number of inputs and outputs	Number of digital outputs: 2; Number of analogue outputs: 1	
Measuring range	80...4800 gph	1.3...80 gpm
Process connection	threaded connection G 2 DN50 flat seal	

SM9001



Magnetic-inductive flow meter

SMR21XGXFRKG/US

Application	
Special feature	Gold-plated contacts
Application	totaliser function; empty pipe detection; for industrial applications
Installation	connection to pipe by means of an adapter
Media	conductive liquids; water; hydrous media
Note on media	conductivity: $\geq 20 \mu\text{S/cm}$ viscosity: $< 70 \text{ mm}^2/\text{s}$ (40 °C)
Medium temperature [°F]	14...158
Pressure rating [bar]	16
MAWP (for applications according to CRN) [bar]	16.5
Electrical data	
Operating voltage [V]	18...32 DC; (according to EN 50178 SELV/PELV)
Current consumption [mA]	< 150
Protection class	III
Reverse polarity protection	yes
Power-on delay time [s]	5
Inputs / outputs	
Number of inputs and outputs	Number of digital outputs: 2; Number of analogue outputs: 1
Inputs	
Inputs	counter reset
Outputs	
Total number of outputs	2
Output signal	switching signal; analogue signal; pulse signal; frequency signal; IO-Link; (configurable)
Electrical design	PNP/NPN
Number of digital outputs	2
Output function	normally open / normally closed; (parameterisable)
Max. voltage drop switching output DC [V]	2
Permanent current rating of switching output DC [mA]	250; (per output)
Number of analogue outputs	1
Analogue current output [mA]	4...20; (scalable)
Max. load [Ω]	500
Analogue voltage output [V]	0...10; (scalable)
Min. load resistance [Ω]	2000
Pulse output	flow rate meter
Short-circuit protection	yes
Type of short-circuit protection	pulsed
Overload protection	yes
Frequency of the output [Hz]	0.1...10000

SM9001



Magnetic-inductive flow meter

SMR21XGXFRKG/US

Measuring/setting range		
Measuring range	80...4800 gph	1.3...80 gpm
Display range	-5760...5760 gph	-96...96 gpm
Resolution	5 gph	0.1 gpm
Set point SP	105...4800 gph	1.7...80 gpm
Reset point rP	80...4775 gph	1.3...79.6 gpm
Analogue start point ASP	0...3840 gph	0...64 gpm
Analogue end point AEP	960...4800 gph	16...80 gpm
Low flow cut-off LFC	< 240 gph	< 4 gpm
In steps of	5 gph	0.1 gpm
Measuring dynamics	1:60	
Volumetric flow quantity monitoring		
Pulse value	0.02...80 E06 gal	
In steps of	0.02 gal	
Pulse length [s]	0,016...2	
Temperature monitoring		
Measuring range [°F]	-4...176	
Display range [°F]	-40...212	
Resolution [°F]	0.5	
Set point SP [°F]	-2...176	
Reset point rP [°F]	-3...175	
Analogue start point [°F]	-4...140	
Analogue end point [°F]	32...176	
In steps of [°F]	0.5	
Accuracy / deviations		
Flow monitoring		
Accuracy (in the measuring range)	± (0,8 % MW + 0,5 % MEW)	
Repeatability	± 0,2% MEW	
Temperature monitoring		
Temperature drift	± 0,0185 °F / K	
Accuracy [K]	± 1 (77 °F; Q > 4 gpm)	
Response times		
Flow monitoring		
Response time [s]	0.35; (dAP = 0)	
Delay time programmable dS, dr [s]	0...50	
Damping for the switching output dAP [s]	0...5	
Temperature monitoring		
Dynamic response T05 / T09 [s]	T09 = 3 (Q > 4 gpm)	
Software / programming		
Parameter setting options	Flow monitoring; quantity meter; Preset counter; Temperature monitoring; hysteresis / window; normally open / normally closed; switching logic; current/voltage/frequency/pulse output; start-up delay; display can be deactivated; Display unit; empty pipe detection	

SM9001



Magnetic-inductive flow meter

SMR21XGXFRKG/US

Interfaces		
Communication interface	IO-Link	
Transmission type	COM2 (38,4 kBaud)	
IO-Link revision	1.1	
SDCI standard	IEC 61131-9 CDV	
IO-Link device ID	392d / 00 01 88h	
Profiles	Smart Sensor: Process Data Variable; Device Identification	
SIO mode	yes	
Required master port type	A	
Process data analogue	3	
Process data binary	2	
Min. process cycle time [ms]	5	
Operating conditions		
Ambient temperature [°F]	14...140	
Storage temperature [°F]	-13...176	
Protection	IP 65; IP 67	
Tests / approvals		
EMC	DIN EN 60947-5-9	
Shock resistance	DIN EN 60068-2-27	20 g (11 ms)
Vibration resistance	DIN EN 60068-2-6	5 g (10...2000 Hz)
MTTF [years]	78	
Pressure Equipment Directive	Sound engineering practice; can be used for group 2 fluids; group 1 fluids on request	
Mechanical data		
Weight [g]	3163	
Materials	stainless steel (1.4404 / 316L); stainless steel (1.4571/316Ti); PEI; FKM; PBT-GF20; TPE-U	
Materials (wetted parts)	stainless steel (1.4404 / 316L); stainless steel (1.4571/316Ti); PEEK; Centellen; FKM	
Process connection	threaded connection G 2 DN50 flat seal	
Displays / operating elements		
Display	Display unit	6 x LED, green (gpm, gph, gal, °F, 10 ³ , 1000 x 10 ³)
	switching status	2 x LED, yellow
	measured values	alphanumeric display, 4-digit
	programming	alphanumeric display, 4-digit
Accessories		
Accessories (supplied)	sealings: 2, Centellen Label	
Remarks		
Remarks	MW = measured value MEW = Final value of the measuring range	
Pack quantity	1 pcs.	
Electrical connection		
Connector: 1 x M12; Contacts: gold-plated		

SM9001

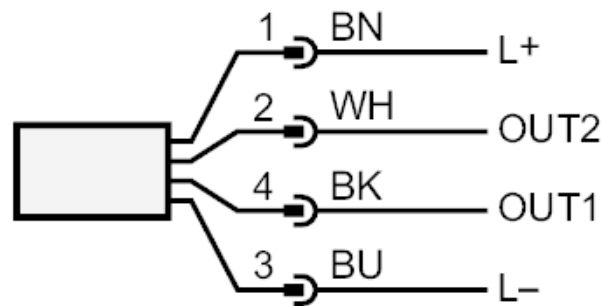


Magnetic-inductive flow meter

SMR21XGXFRKG/US



Connection



OUT1: colours to DIN EN 60947-5-2
switching output empty pipe detection
switching output volumetric flow quantity monitoring
frequency output volumetric flow quantity monitoring
Pulse output quantity meter
signal output Preset counter
IO-Link

OUT2: switching output empty pipe detection
switching output volumetric flow quantity monitoring
switching output Temperature monitoring
analogue output volumetric flow quantity monitoring
analogue output Temperature monitoring
input counter reset

Core colours :

BK = black
BN = brown
BU = blue
WH = white

SM9001

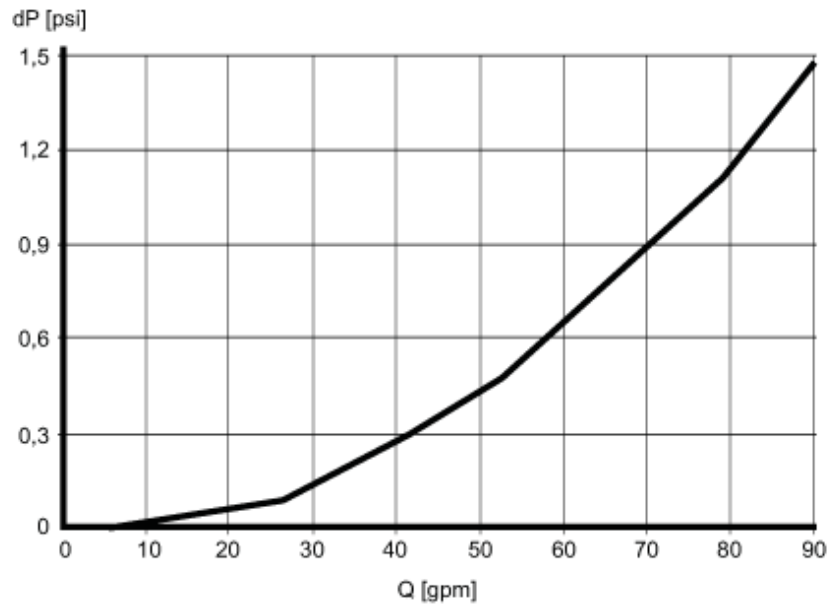


Magnetic-inductive flow meter

SMR21XGXFRKG/US

Diagrams and graphs

Pressure loss



dP Pressure loss

Q volumetric flow quantity