



Part no.: 560340
BT-SET-240BC
Mounting bracket set

Figure can vary

Contents

- Technical data
- Dimensioned drawings

Part no.: 560340 – BT-SET-240BC – Mounting bracket set

Technical data

Basic data

Suitable for	MLD 500, MLD 300 multiple light beam safety devices
--------------	---

Mechanical data

Type of fastening, at system	Through-hole mounting
------------------------------	-----------------------

Type of fastening, at device	Clampable
------------------------------	-----------

Type of mounting device	Turning, 240°
-------------------------	---------------

Mounting device material	Metal
--------------------------	-------

Classification

Customs tariff number	73269098
-----------------------	----------

eCl@ss 8.0	27279202
------------	----------

eCl@ss 9.0	27273701
------------	----------

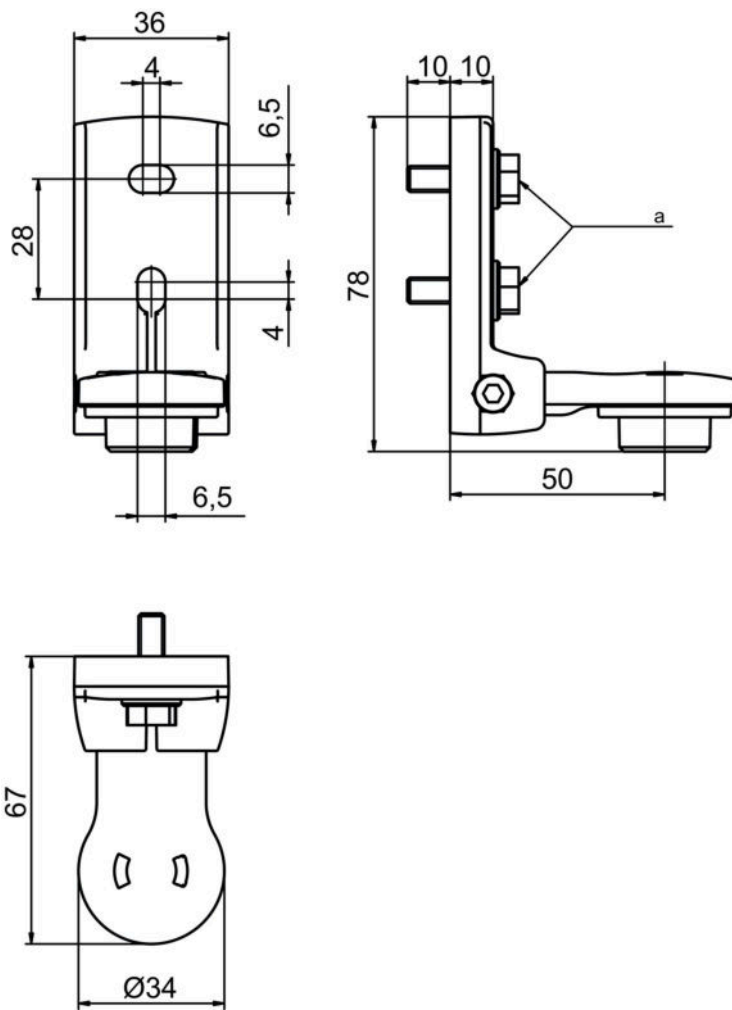
ETIM 5.0	EC003015
----------	----------

ETIM 6.0	EC003015
----------	----------

Dimensioned drawings

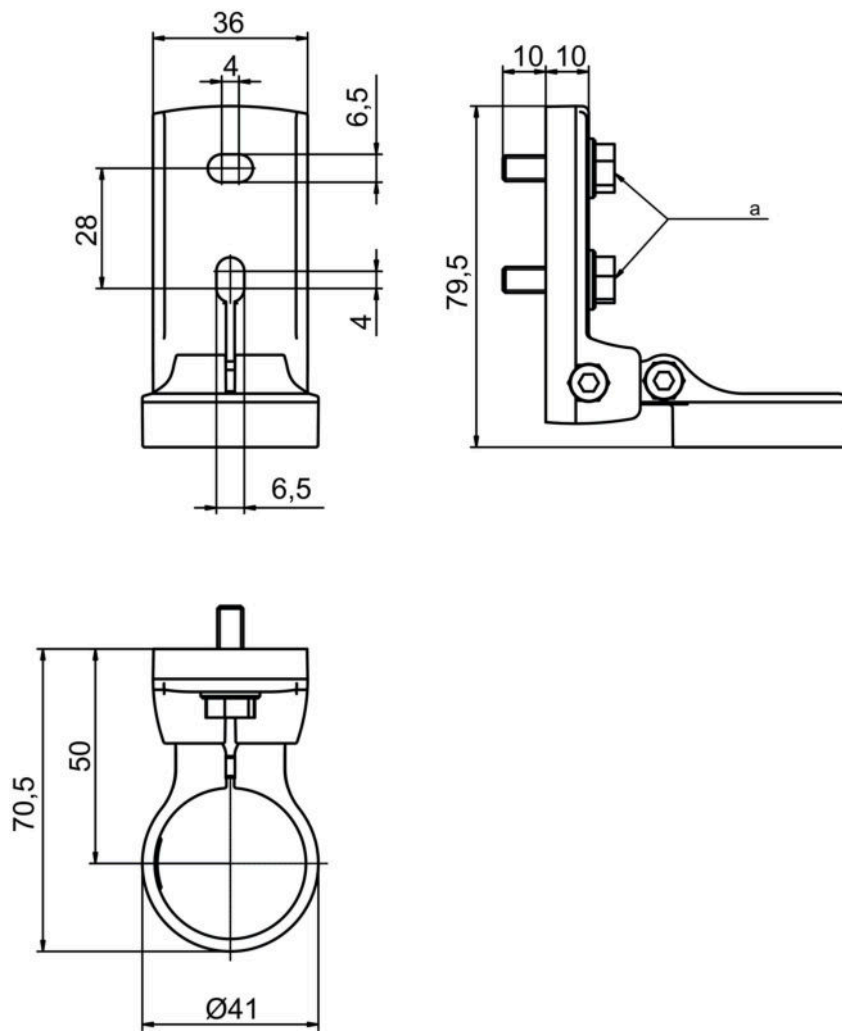
All dimensions in millimeters

BT-SET-240B swivel mount



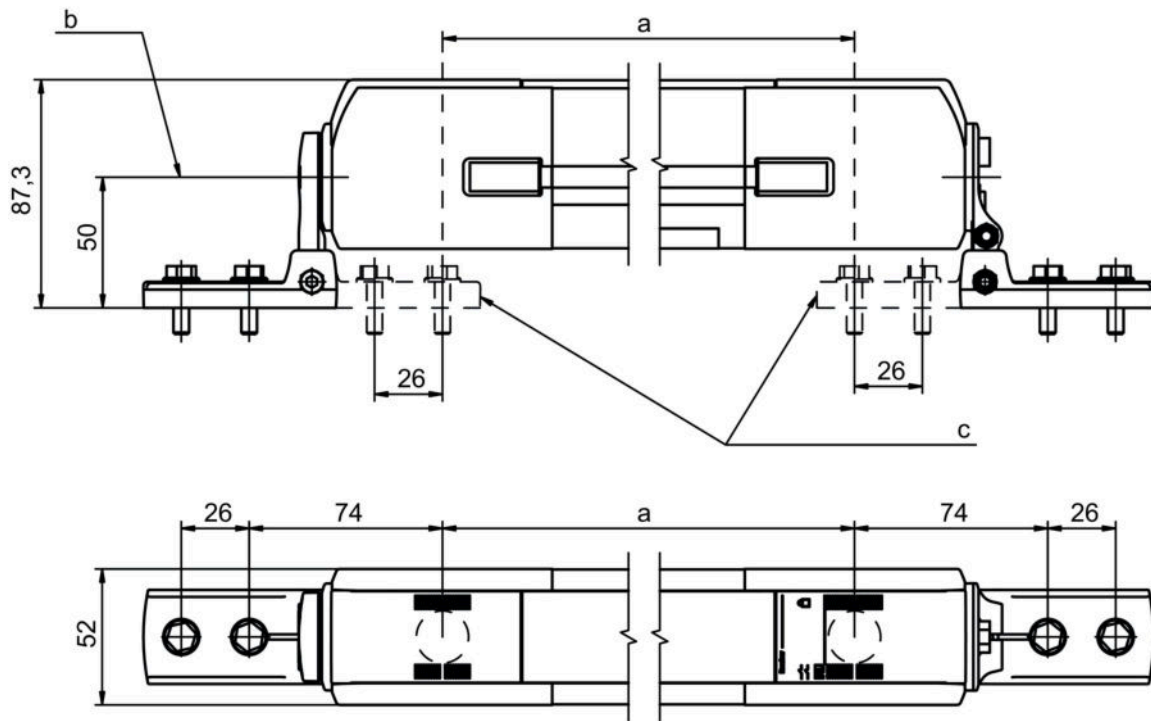
a M6 screw

BT-SET-240C swivel mount



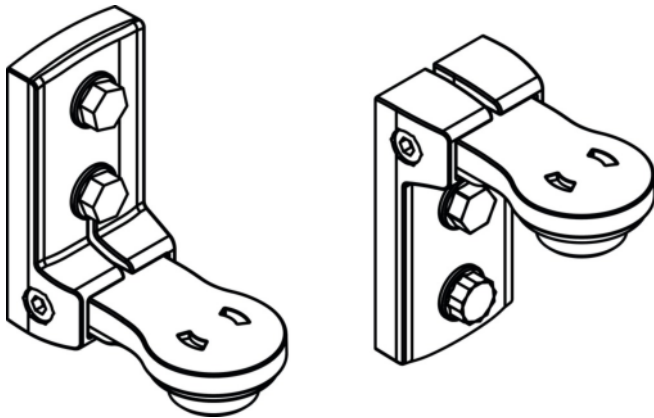
a M6 screw

Mounting dimensions



- a Beam spacing
- b Swivel axis
- c Alternative mounting variant

Mounting variants



Mounting variants

