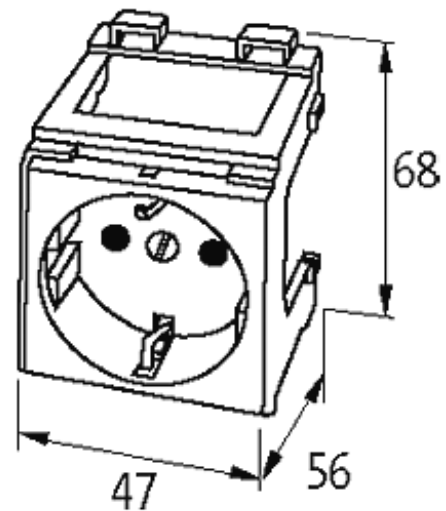


MODLINK MSVD CABINET POWER OUTLETS

VDE Italy/CEI 23-16 250V AC / 16 A

Italy (white)
Screw terminals[Link to Product](#)**Illustration**

Product may differ from Image

Approvals

VDE (CEI 23-16)

Technical Data

Operating voltage	max. 250 V AC
-------------------	---------------

Operating current	max. 16 A
-------------------	-----------

General data

Mounting method	DIN-rail mountable (EN 60715)
-----------------	-------------------------------

Connection	Screw terminals: max. 2 × 2.5 mm ² (AWG 14)
------------	--

Dimensions H × W × D	68×47×56 mm
----------------------	-------------

Commercial data

country of origin	FR
-------------------	----

customs tariff number	85366990
-----------------------	----------

minimum order quantity	1
------------------------	---