



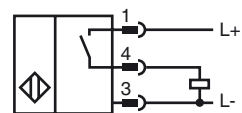
**Model Number**

NCB1,5-12GM70-E2-D-V1

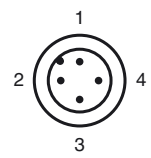
**Features**

- 1.5 mm flush
- Operating pressure 500 bar, peak pressure 800 bar
- For applications in hydraulic cylinder

**Connection**



**Pinout**



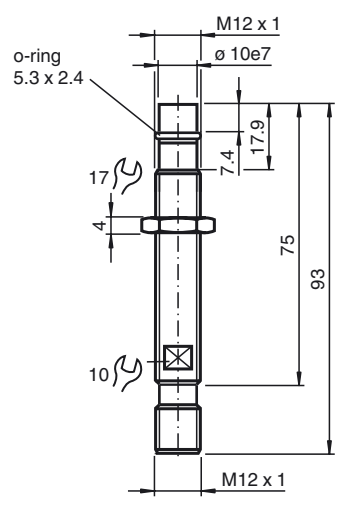
Wire colors in accordance with EN 60947-5-2

1	BN	(brown)
2	WH	(white)
3	BU	(blue)
4	BK	(black)

**Accessories**

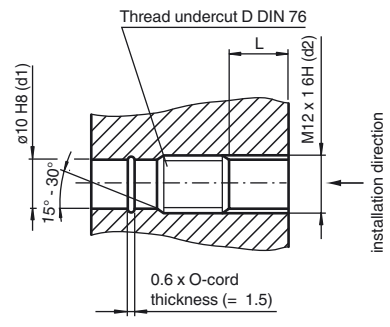
- V1-G**  
Female connector, M12, 4-pin, field attachable
- V1-W**  
Female connector, M12, 4-pin, field attachable
- V1-G-2M-PUR**  
Female cordset, M12, 4-pin, PUR cable
- V1-W-2M-PUR**  
Female cordset, M12, 4-pin, PUR cable

**Dimensions**



**Technical Data**

General specifications			
Switching element function		PNP	NO
Rated operating distance	$s_n$	1.5 mm	
Installation		flush	
Output polarity		DC	
Nominal ratings			
Operating voltage	$U_B$	10 ... 30 V DC	
Switching frequency	$f$	0 ... 600 Hz	
Hysteresis	$H$	typ. 5 %	
Reverse polarity protection		reverse polarity protected	
Short-circuit protection		pulsing	
Voltage drop	$U_d$	$\leq 2$ V	
Operating current	$I_L$	0 ... 200 mA	
No-load supply current	$I_0$	$\leq 10$ mA	
Limit data			
Operating pressure		500 bar (7252 psi)	
Functional safety related parameters			
MTTF <sub>d</sub>		728 a	
Mission Time (T <sub>M</sub> )		20 a	
Diagnostic Coverage (DC)		0 %	
Ambient conditions			
Ambient temperature		-25 ... 80 °C (-13 ... 176 °F)	
Mechanical specifications			
Connection type		Connector M12 x 1, 4-pin	
Housing material		Stainless steel 1.4305 / AISI 303	
Sensing face		Ceramic	
Protection degree		IP68	
Mass		42 g	
Compliance with standards and directives			
Standard conformity		EN 60947-5-2:2007	
Standards		IEC 60947-5-2:2007	
Approvals and certificates			
UL approval		cULus Listed, General Purpose	
CSA approval		cCSAus Listed, General Purpose	
CCC approval		CCC approval / marking not required for products rated $\leq 36$ V	



L: recommended installation depth:  $L \geq 0.8 \times d2$

Release date: 2013-04-24 14:31 Date of issue: 2013-04-24 123394\_eng.xml