



DIAZED FUSE LINK 500V TIME-LAG TNDZ SERIES  
SIZE DII, THREAD E16, 6A

Figure similar

Model		
product brand name		SENTRON
Product designation		DIAZED fuse
<b>Design of the product</b>		For cable and line protection
<b>Design of the fuse link</b>		DIAZED fuse link
General technical data		
<b>Tripping characteristic class</b>		time-lag (T)
<b>Size of fuse system / acc. to DIN EN 60269-1</b>		NDz
<b>Operating class of the fuse link</b>		gG
<b>circuit-breaker / Design</b>		5SA2
Protection class		
<b>Protection class IP</b>		IP20, with connected conductors
Switching capacity		
<b>Switching capacity current</b>		
<ul style="list-style-type: none"> <li>• for DC / acc. to IEC 60947-2 / Rated value</li> </ul>	kA	1.6
<ul style="list-style-type: none"> <li>• acc. to IEC 60947-2 / Rated value</li> </ul>	kA	40
Dissipation		
<b>Active power loss</b>		
<ul style="list-style-type: none"> <li>• for rated value of the current / with AC / in hot operating state / per pole</li> </ul>	W	1.9
Electricity		
rated current $I_n$ / IEC, DIN/VDE / at 40 Cel	A	5.7
Current / with AC / Rated value	A	6

## Appearance

Color coding of the fuse link green

## Product details

Product description Using screw adapter or adapter sleeves

## Mechanical Design

mounting position Any, preferably vertical

## Environmental conditions

### Ambient temperature

- |                         |    |                           |
|-------------------------|----|---------------------------|
| • minimum               | °C | -5                        |
| • maximum               | °C | 40                        |
| • during storage / Note |    | Air humidity 90% at 20 °C |

### General Product Approval

### Declaration of Conformity

### other



[Environmental Confirmations](#)

## Further information

### Information- and Downloadcenter (Catalogs, Brochures,...)

<http://www.siemens.com/lowvoltage/catalogs>

### Industry Mall (Online ordering system)

<https://eb.automation.siemens.com/mall/en/WW/Catalog/Product/5SA231>

### Service&Support (Manuals, Certificates, Characteristics, FAQs,...)

<http://support.automation.siemens.com/WW/view/en/5SA231/all>

### Image database (product images, 2D dimension drawings, 3D models, device circuit diagrams, ...)

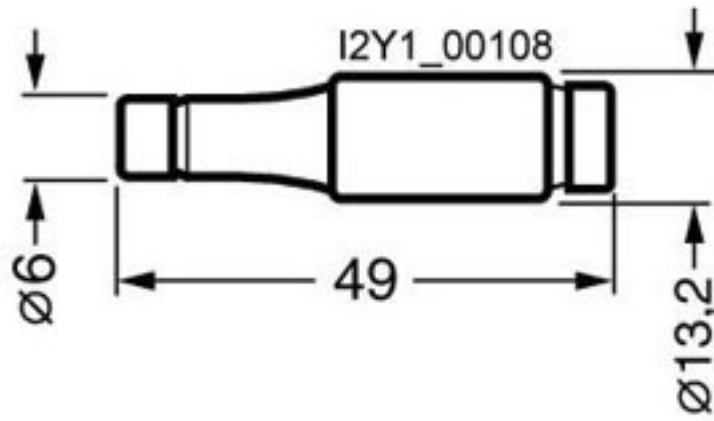
[http://www.automation.siemens.com/bilddb/cax\\_en.aspx?mlfb=5SA231](http://www.automation.siemens.com/bilddb/cax_en.aspx?mlfb=5SA231)

### CAX-Online-Generator

<http://www.siemens.com/cax>

### Tender specifications

<http://ausschreibungstexte.siemens.com/tiplv>



last modified:

11.03.2015