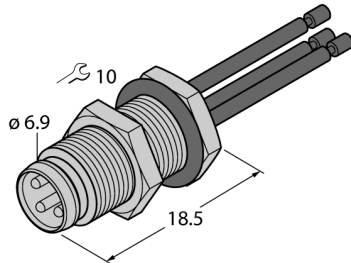
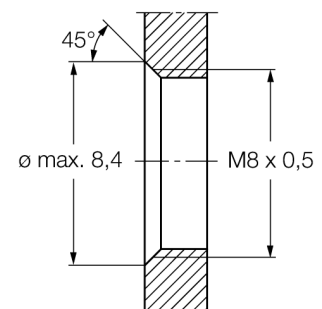
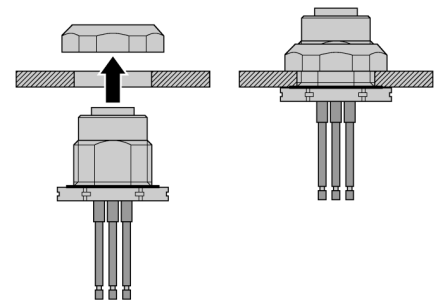
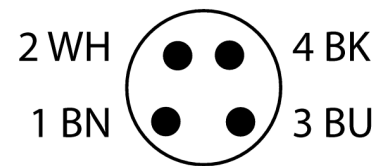


Accessories for actuator/sensor cables
Male Flange with Stranded Wires, Rear-mounted
PFS4F-0,2



- robust and pre-assembled round connector
- Degree of protection IP67
- with 0.2 m litz wire
- also available with other litz wire lengths

Wiring Diagram



Type designation	PFS4F-0,2
Ident no.	6934790
Connector A side	Male receptacle, M8 \leftarrow 1, Straight
Number of pins	4
Contacts	Metal, CuZn, Gold-plated
Contact carriers	Plastic, PA, Transparent
Flange housing	Brass, CuZn, nickel-plated
Seal	Plastic, FPM/FKM
Screw-in thread seal	plastic, NBR
Screw-in thread	M8x0.5
Connection mode	Wire connection
Mechanical lifespan	> 100 Mating cycles
Pollution degree	3
Protection class	IP67, (screwed together)
Cable length	0.2 m
Core insulation	PVC
Core colors	BN, WH, BU, BK
Core cross-section	4x0.25mm ²
Arrangement of strands	14x0.15 mm
Electrical features at +20 °C	
Rated voltage	30 V
Current	4 A
Insulation resistance	$\geq 10^5 \Omega$
Forward resistance	$\leq 5 \text{ m}\Omega$
Mechanical and chemical properties	
Ambient temperature	
Stationary	-30...+90°C