

MCF03C Series

Antisurge (T) Ceramic Fuses



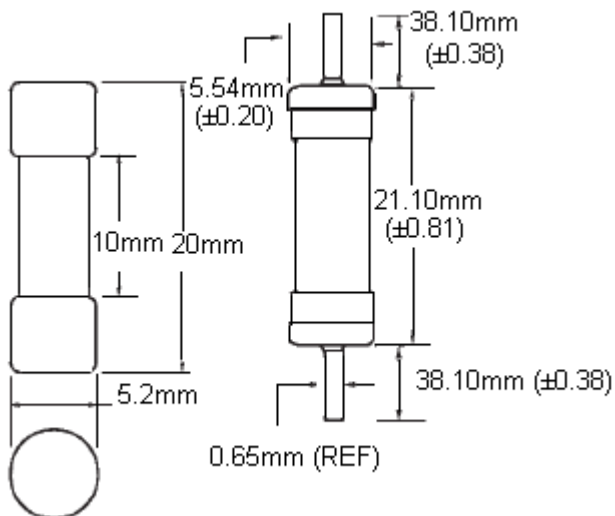
HRC Fuse



Features:

- Time delay, high breaking capacity.
- Ceramic tube, nickel plated brass endcap construction.
- Optional axial leads are .032" x 1.5" copper tinned.
- Designed to IEC 60127-2 (1A-6.3A).
- RoHS Compliant version available (-R option).
- 20 x 5mm Fuses.

Dimensions



Ratings above 6.3A have a 0.8mm diameter lead

Electrical Characteristics										
In	1.5In		2.1In		2.75In		4In		10In	
	minimum	maximum	minimum	maximum	minimum	maximum	minimum	maximum	minimum	maximum
	(Seconds)		(Seconds)		(Seconds)		(Seconds)		(Seconds)	
<1A	3600	1800	0.25	80	0.05	5	0.005	0.055		
1A - 3.15A	3600	1800	1	80	0.095	5	0.01	0.1		
4A - 10A	3600	1800	1	80	0.15	5	0.02	0.1		

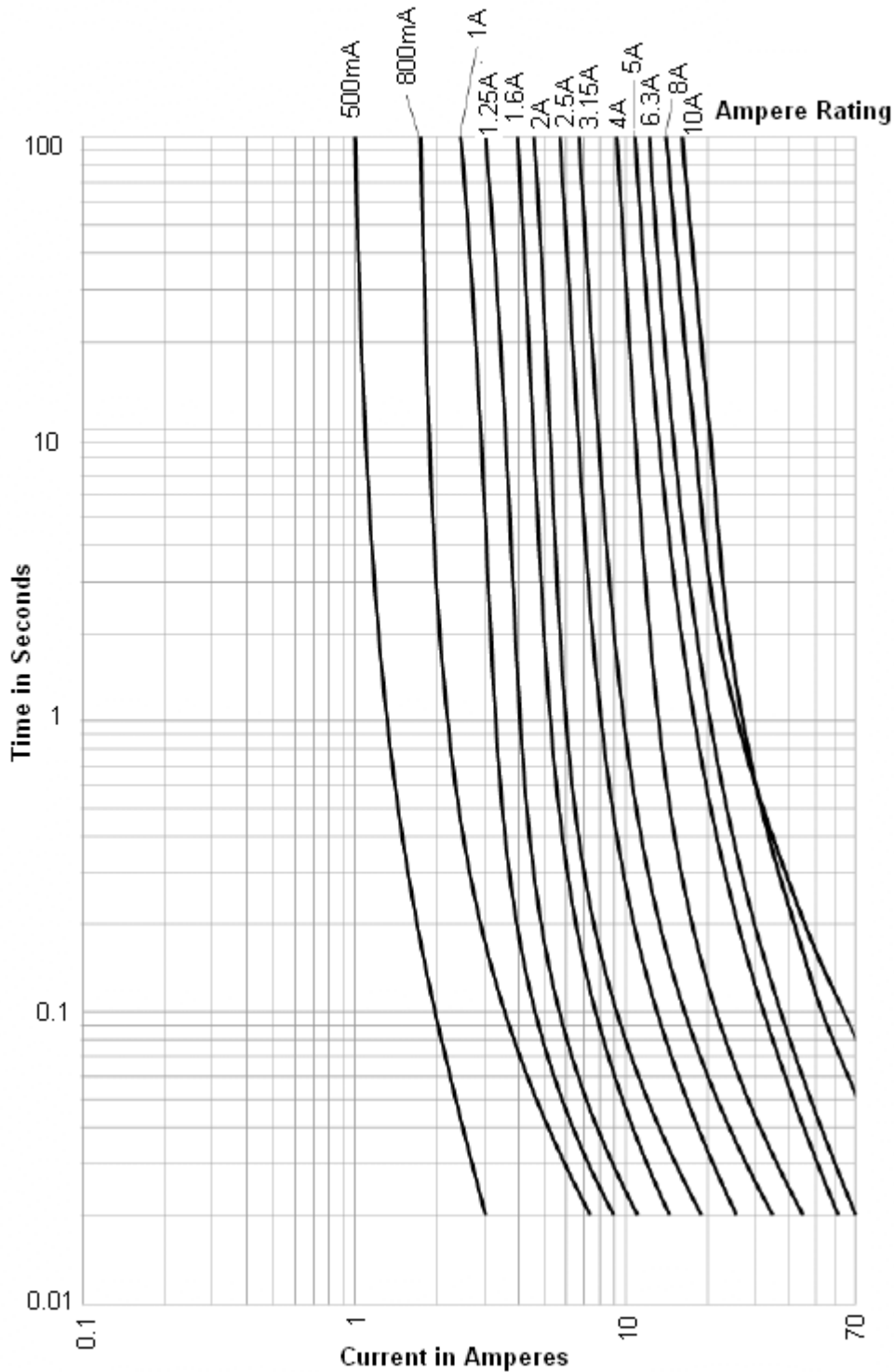


MCF03C Series

Antisurge (T) Ceramic Fuses



Time - Current Characteristics Curve - Total Clear



MCF03C Series

Antisurge (T) Ceramic Fuses



Specifications

Voltage Rating (V ac)	Interrupting Rating at Rated Voltage (50Hz) AC (Amps)	Typical DC Cold Resistance (ohms)*	Typical Melting I ² t (A ² Sec) AC**	Typical Voltage Drop (mV)***	Part Number
250	1500	0.015	52	85	MCF03C-4A
		0.006	397	72	MCF03C-10A
		-	-	-	MCF03C-500MA
		0.007	311	75	MCF03C-8A
		0.011	98	80	MCF03C-5A
		0.022	27	90	MCF03C-3.15A
		0.03	14	100	MCF03C-2.5A
		0.041	7.6	110	MCF03C-2A
		0.061	3.5	130	MCF03C-1.6A
		0.093	1.6	150	MCF03C-1.25A
		0.117	0.74	170	MCF03C-1A
		0.243	-	-	MCF03C-800MA
		-	-	-	MCF03C-630MA
		0.008	197	75	MCF03C-6.3A

* DC Cold Resistance (Measured at <10% of rated current).

** Typical Melting I²t (I²t was measured at listed interrupting rating and rated voltage).

*** Typical Voltage Drop (Voltage drop was measured at 20°C ambient temperature at rated current).

Part Number Explanation

MCF03C

Series

4A

Rating

Rating : 500mA, 630mA, 800mA, 1A, 1.25A, 1.6A, 2A, 2.5A, 3.15A, 4A, 5A, 6.3A, 8A and 10A.
Where mA = milliampere, A = Ampere.



MCF03C Series

Antisurge (T) Ceramic Fuses



Notes:

International Sales Offices:



AUSTRALIA – Farnell InOne
Tel No: ++ 61 2 9645 8888
Fax No: ++ 61 2 9644 7898



FINLAND – Farnell InOne
Tel No: ++ 358 9 560 7780
Fax No: ++ 358 9 345 5411



NETHERLANDS – Farnell InOne
Tel No: ++ 31 30 241 7373
Fax No: ++ 31 30 241 7333



SWITZERLAND – Farnell InOne
Tel No: ++ 41 1 204 64 64
Fax No: ++ 41 1 204 64 54



AUSTRIA – Farnell InOne
Tel No: ++ 43 662 2180 680
Fax No: ++ 43 662 2180 670



FRANCE – Farnell InOne
Tel No: ++ 33 474 68 99 99
Fax No: ++ 33 474 68 99 90



NEW ZEALAND – Farnell InOne
Tel No: ++ 64 9 357 0646
Fax No: ++ 64 9 357 0656



UK – Farnell InOne
Tel No: ++ 44 8701 200 200
Fax No: ++ 44 8701 200 201



BELGIUM – Farnell InOne
Tel No: ++ 32 3 475 2810
Fax No: ++ 32 3 227 3648



GERMANY – Farnell InOne
Tel No: ++ 49 89 61 39 39 39
Fax No: ++ 49 89 613 59 01



NORWAY – Farnell InOne
Tel No: ++ 45 44 53 66 66
Fax No: ++ 45 44 53 66 02



UK – BuckHickman InOne
++ 44 8450 510 150
++ 44 8450 510 130



BRAZIL – Farnell-Newark InOne
Tel No: ++ 55 11 4066 9400
Fax No: ++ 55 11 4066 9410



HONG KONG – Farnell-Newark InOne
Tel No: ++ 852 2268 9888
Fax No: ++ 852 2268 9899



PORTUGAL – Farnell InOne
Tel No: ++ 34 93 475 8804
Fax No: ++ 34 93 474 5288



UK – CPC
++ 44 8701 202 530
++ 44 8701 202 531



CHINA – Farnell-Newark InOne
Tel No: ++86 10 6238 5152
Fax No: ++86 10 6238 5022



IRELAND – Farnell InOne
Tel No: ++ 353 1 830 9277
Fax No: ++ 353 1 830 9016



SINGAPORE – Farnell-Newark InOne
Tel No: ++ 65 6788 0200
Fax No: ++ 65 6788 0300



EXPORT – Farnell InOne
Tel No: ++ 44 8701 200 208
Fax No: ++ 44 8701 200 209

For enquiries from all other markets



DENMARK – Farnell InOne
Tel No: ++ 45 44 53 66 44
Fax No: ++ 45 44 53 66 06



ITALY – Farnell InOne
Tel No: ++ 39 02 93 995 200
Fax No: ++ 39 02 93 995 300



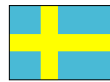
SPAIN – Farnell InOne
Tel No: ++ 34 93 475 8805
Fax No: ++ 34 93 474 5107



ESTONIA – Farnell InOne
Tel No: ++ 358 9 560 7780
Fax No: ++ 358 9 345 5411



MALAYSIA – Farnell-Newark InOne
Tel No: ++ 60 3 7873 8000
Fax No: ++ 60 3 7873 7000



SWEDEN – Farnell InOne
Tel No: ++ 46 8 730 50 00
Fax No: ++ 46 8 83 52 62

<http://www.farnellinone.com>

<http://www.buckhickmaninone.com>

<http://www.cpc.co.uk>

Disclaimer This data sheet and its contents (the "Information") belong to the Premier Farnell Group (the "Group") or are licensed to it. No licence is granted for the use of it other than for information purposes in connection with the products to which it relates. No licence of any intellectual property rights is granted. The Information is subject to change without notice and replaces all data sheets previously supplied. The Information supplied is believed to be accurate but the Group assumes no responsibility for its accuracy or completeness, any error in or omission from it or for any use made of it. Users of this data sheet should check for themselves the Information and the suitability of the products for their purpose and not make any assumptions based on information included or omitted. Liability for loss or damage resulting from any reliance on the Information or use of it (including liability resulting from negligence or where the Group was aware of the possibility of such loss or damage arising) is excluded. This will not operate to limit or restrict the Group's liability for death or personal injury resulting from its negligence. Multicomp is the registered trademark of the Group. © Premier Farnell plc 2004.

