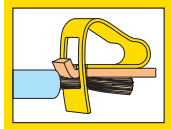


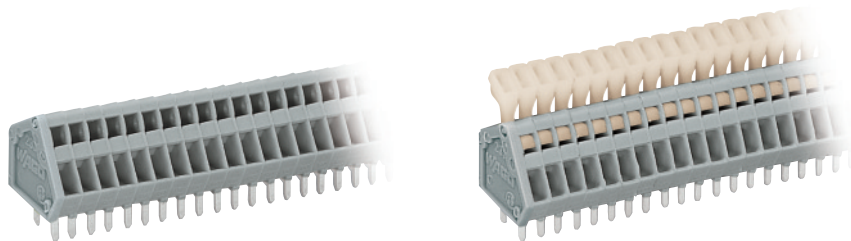
PCB Terminal Strips 0.5 mm²/AWG 20 Pin Spacing 2.5 mm / 0.098 in; Series 233



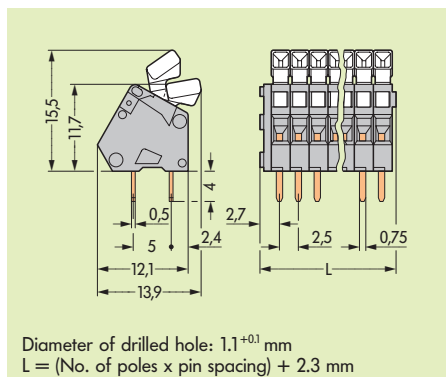
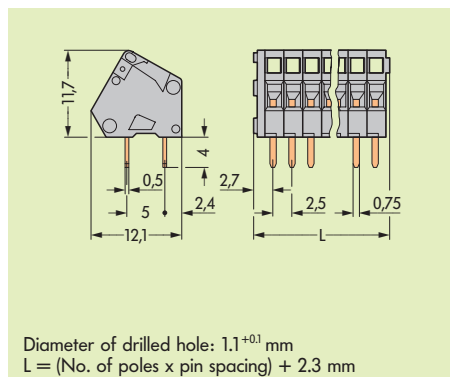
1
9

1

<p>Pin spacing 2.5 mm/0.098 in 0.08 – 0.5 mm² ① AWG 28 – 20 ① 250 V/2.5 kV/2 150 V, 4 A ② ③ 6 A</p> <p> 5 – 6 mm / 0.22 in</p> <p>* </p>	<p>Pin spacing 2.5 mm/0.098 in 0.08 – 0.5 mm² ① AWG 28 – 20 ① 250 V/2.5 kV/2 150 V, 4 A ② ③ 6 A</p> <p> 5 – 6 mm / 0.22 in</p> <p>* </p>	<p>Accessories</p>
---	---	---------------------------



No. of poles	Item No.	Pack.-unit pcs	No. of poles	Item No.	Pack.-unit pcs		Item No.	Pack.-unit pcs
Terminal strips without push buttons, standard lengths, other lengths contact factory, 2 solder pins/pole, grey			Terminal strips with push buttons, standard lengths, other lengths contact factory, 2 solder pins/pole, grey			Marker cards, 100 self-adhesive strips per card		
2	233-102	600 (6 x 100)	2	233-202	600 (6 x 100)	<p>Marking - pin spacing 2.5 mm/0.098 in</p> <p>1-16 (400 x) 210-331/0250-0202 1 card</p> <p>17-32 (400 x) 210-331/0250-0204 1 card</p> <p>33-48 (400 x) 210-331/0250-0206 1 card</p> <p>For direct printing, please contact factory</p>		
3	233-103	500 (4 x 125)	3	233-203	500 (4 x 125)			
4	233-104	400 (4 x 100)	4	233-204	400 (4 x 100)			
5	233-105	340 (4 x 85)	5	233-205	340 (4 x 85)			
6	233-106	280 (4 x 70)	6	233-206	280 (4 x 70)			
7	233-107	240 (4 x 60)	7	233-207	240 (4 x 60)			
8	233-108	220 (4 x 55)	8	233-208	220 (4 x 55)			
9	233-109	200 (4 x 50)	9	233-209	200 (4 x 50)			
10	233-110	180 (4 x 45)	10	233-210	180 (4 x 45)			
12	233-112	140 (4 x 35)	12	233-212	140 (4 x 35)			
16	233-116	100 (4 x 25)	16	233-216	100 (4 x 25)			
24	233-124	80 (4 x 20)	24	233-224	80 (4 x 20)			
Terminal strips without push buttons cannot be retrofitted with push buttons!								
For other colors, please contact factory			For other colors, please contact factory					
Accessories								
Operating tool, for shop wiring								
see section 11								
Dimensions (in mm)								



① in adjacent positions 0.75 mm²/AWG 18

* Approvals with corresponding ratings see pages 12.3 ff.