

Plastic Hoods

D45PK-P+High Density D-Sub Solder Cup

**TECHNICAL SPECIFICATIONS**

**D-Sub Hood:**

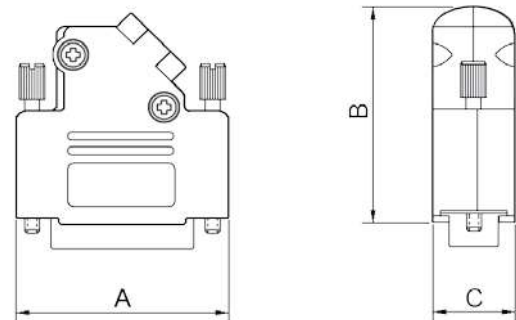
Material: UL 94 V-0 Plastic Material  
 Operating Temperature: -55°C to +110°C  
 Cable Entry: Side  
 Thumbscrews: UNC 4-40 (Standard)  
 Cable O.D: Up to 11,5mm  
 Colour: Black

**High Density D-Sub Solder Cup:**

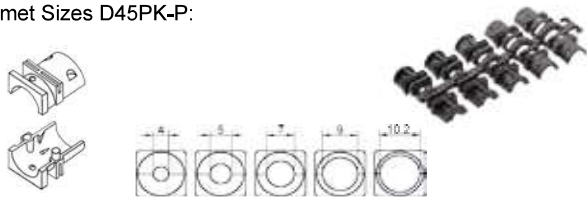
Insulator: Glass filled TP, UL94 V-0  
 Shell: Steel, Tin Plated  
 Contact pins: Copper Alloy  
 Gold Flash over Ni.  
 Stamped & Formed Pins: Class 3, 100 inserts min.  
 Contact Plating: Gold flash over Nickel  
 Operating Temperature: -55°C to +85°C  
 Withstanding voltage: >1000V Rms to 50 Hz  
 for 1 minute  
 Current Rating: 3A  
 Insulator resistance: >5000MΩ min.

**Features:**

- Available in sizes HD 15-26-44-62
- Strain relief inserts ensure a secure termination
- Re-openable



Grommet Sizes D45PK-P:



Size D45PK-P	Dim A	Dim B	Dim C
9-way	31,0	36,3	15,0
15-way	39,5	40,3	15,0
25-way	53,2	40,3	15,0
37-way	69,7	40,3	15,0

**Ordering information:**

*High Density D-Sub Connector Kits*

Size:	P/N - Kitted:	Description:
HD 15	L17D45PK-P-09+L717HDE15P	Solder Cup, 15-Male
HD 26	L17D45PK-P-15+L717HDA26P	Solder Cup, 26-Male
HD 44	L17D45PK-P-25+L717HDB44P	Solder Cup, 44-Male
HD 62	L17D45PK-P-37+L717HDC62P	Solder Cup, 62-Male

Size:	P/N - Kitted:	Description:
HD 15	L17D45PK-P-09+L77HDE15S	Solder Cup, 15-Female
HD 26	L17D45PK-P-15+L77HDA26S	Solder Cup, 26-Female
HD 44	L17D45PK-P-25+L77HDB44S	Solder Cup, 44-Female
HD 62	L17D45PK-P-37+L77HDC62S	Solder Cup, 62-Female