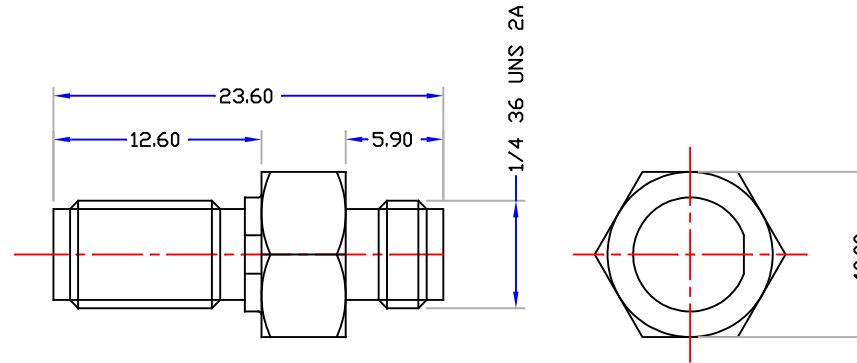
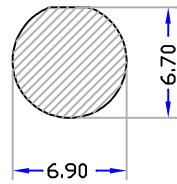


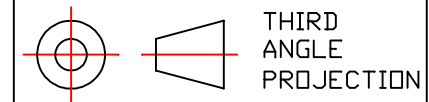
ISSUE	PRODUCTION RELEASE	DATE
1	New Drawing	10/02/94
2	Part No Change	15/10/02
3	Part No Change	27/06/03

PANEL CUTOUT



Optoelectronic Manufacturing Corporation (UK) Ltd. ©  
 These drawings/specifications and all the data therein are the exclusive property of OMC Ltd. and shall not be reproduced, copied or used for any purpose whatsoever, without written consent.

DO NOT SCALE



OMC (UK) LTD.

Tel: 01209 215424  
 Fax: 01209 215197

DESCRIPTION: SMA IN LINE CONNECTOR

PART NO: FDC 20 FSMA

SHEET 1 OF 1

ISSUE

DRAWN: P.B.HATTON

DATE: 10/02/94

MATERIAL: NICKEL SILVER

SCALE: 2:1

COMPUTER REF: 10320

3

CHECKED:

DATE:

DIMENSIONS: mm TOLERANCES: ±0.1 Unless otherwise stated.

DRAWING NUMBER:

APPROVED:

DATE:

CHECK FOR LATEST ISSUE IF THIS COPY IS NON MAINTAINED.  
 MAINTAINED COPIES ONLY WILL BE UPDATED.

□ C020 FSMA